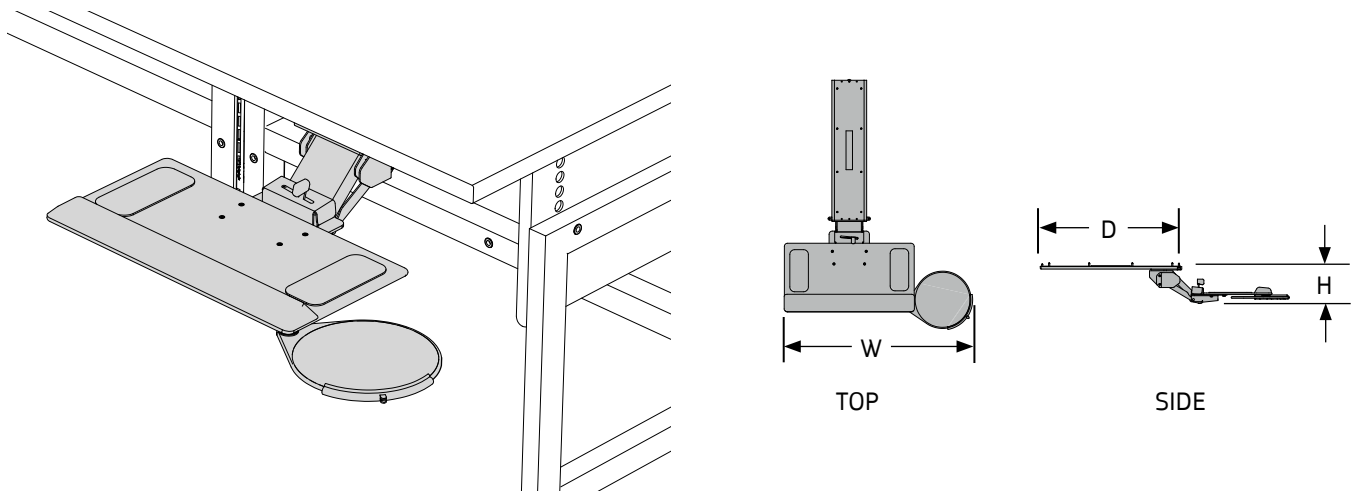


COMPUTER SUPPORT

Keyboard and Mouse Tray, Surface-Mount 11.2
CPU Holder..... 11.3
Accessory Mounting Brackets..... 11.4
Monitor Arms, Bolt/Clamp Mount..... 11.5
Monitor Arms, Add-On Post 11.6
Monitors Arms, End/Center/Saddle Mount 11.7
Slatwall Rail and Monitor Arm 11.8
Arm Mount Platform and Notebook Holder 11.9





KEYBOARD AND MOUSE TRAY, SURFACE-MOUNT

- Keyboard Trays provide storage for keyboards beneath surfaces.
- 10 $\frac{5}{8}$ " deep by 20 $\frac{1}{8}$ " wide keyboard platform includes a black non-skid pad and a removable foam wrist rest that leaves 8" of useable tray depth when in place.
- Trays feature 4 $\frac{1}{4}$ " of spring assisted vertical travel and have a tilt adjustment range of 0 to -10°.
- Trays swivel 360° and feature sliding tracks that provide a 16" travel range allowing trays to retract under surfaces. In the forward most position, the front of the Keyboard Tray extends 14" from the front of the surface.
- Keyboard mechanisms adjust in height with a simple one-handed motion without the use of locks, levers or knobs. Unique angle adjustment levers allow users to simply adjust the angle by sliding the lever from left to right.
- A 9" diameter round Mouse Tray is included with each Keyboard Tray. Mouse Trays can be mounted on the left or right side of Keyboard Trays and swivel 360° to hide under the trays when not used with a mouse.
- Mouse Trays include a black non-skid pad and moveable stopper to protect the mouse from falling off the tray.
- Load capacity 25 lbs.
- Finish is Black.

NOTES

- » Cannot be mounted on a 24" or 30" surface of a Table, WorkTable, or ErgoStat.

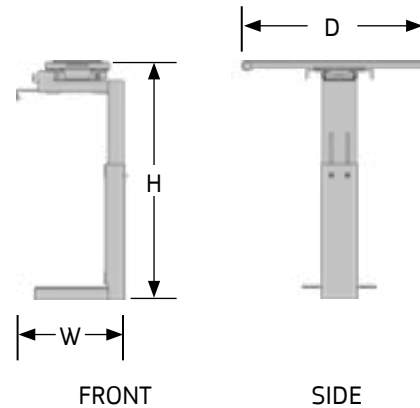
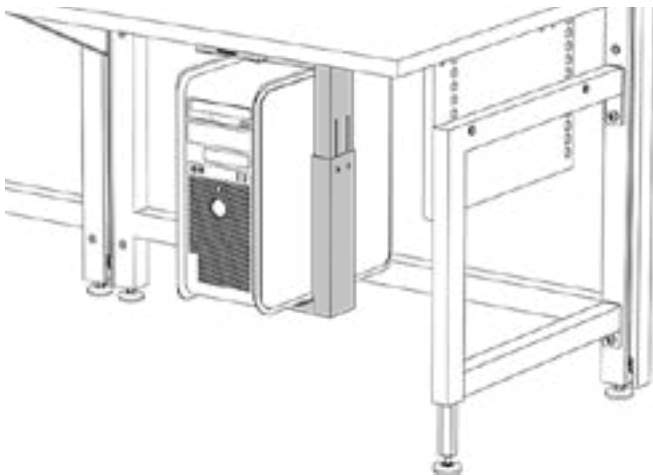
How to Specify

Step 1. Product Number

KTAMBK

Product Number	Description	Height		Width		Depth		Weight	
		in.	[mm]	in.	[mm]	in.	[mm]	lb.	[kg]
KTAMBK	Keyboard and mouse tray	4 $\frac{3}{4}$	121	29 $\frac{1}{2}$	749	21 $\frac{3}{4}$	552	15	7

Rev 03/20/12



CPU HOLDER

- CPU Holder provides vertical storage of central processing units below surfaces.
- Holder features a sliding track which allows the unit to retract 9" from the front of the track and extend 4" from the front of the track.
- Holder can be mounted without the sliding track directly to a surface for use with tables with stretchers.
- Fits CPUs 3" to 9" wide and 13.50" to 19.25" tall.
- Units swivel 360° for easy access.
- Load capacity 75 lbs.
- Finish is Black.

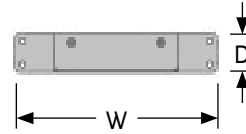
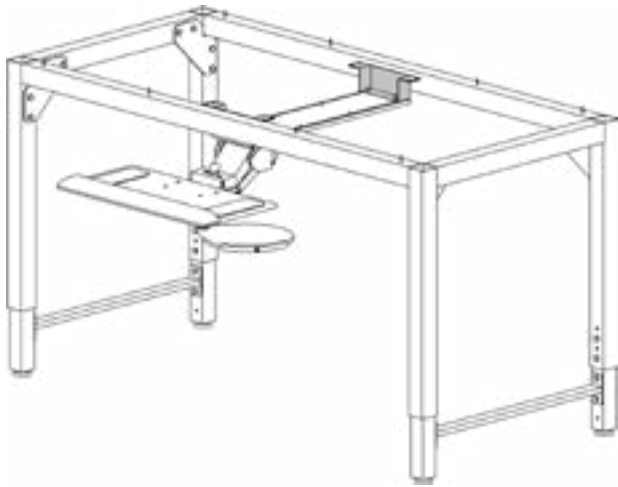
How to Specify

Step 1. Product Number

CPUBBK

Product Number	Description	Height		Width		Depth		Weight	
		in.	[mm]	in.	[mm]	in.	[mm]	lb.	[kg]
CPUBBK	CPU holder	18 - 23¾	456 - 603	6½ - 12½	165 - 317	16	406	5	2

Rev 03/23/15



TOP



FRONT

ACCESSORY MOUNTING BRACKETS

- Accessory Mounting Brackets suspend a CPU Holder or Keyboard and Mouse Tray from the underside of a 4-Legged Table.
- Brackets mount to the bottom of the surface with screws provided in the computer accessory kit.
- Load capacity 75 lbs.
- Finish is black.

NOTES

- » Works with Keyboard and Mouse Trays on 30" and 36" deep tables (not 24" depth). Sold Separately; see page 11.2.
- » Compatible with CPU Holders on all table depths. Sold separately; see page 11.3.

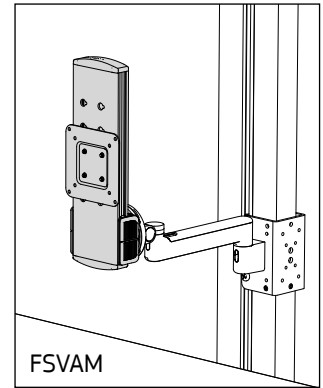
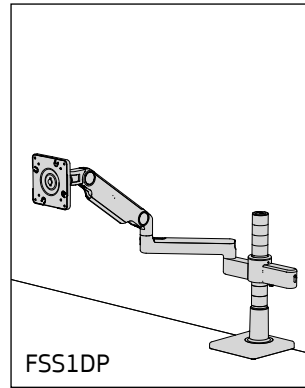
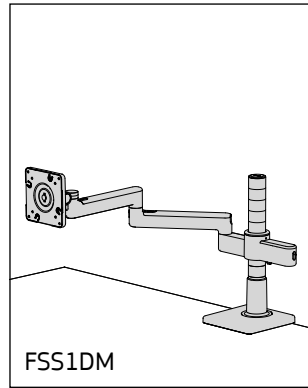
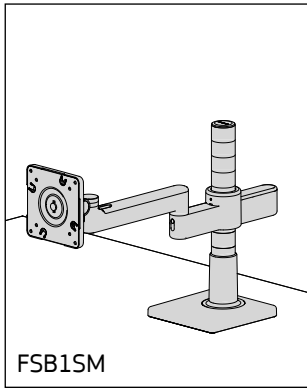
How to Specify

Step 1. Product Number

ACMBBK

Product Number	Description	Height		Width		Depth		Weight	
		in.	[mm]	in.	[mm]	in.	[mm]	lb.	[kg]
ACMBBK	Accessory brackets	2 3/8	60	8 1/2	216	1 1/2	38	2	1

Rev 08/19/14



MONITOR ARMS, BOLT/CLAMP MOUNT

Monitor Arms for Surfaces

- Arms include both 75mm and 100mm VESA mounting brackets and support monitors/accessories up to 15 lbs.
- Arms provide a 360° view in portrait or landscape, with built-in cable management.
- Bolt Mount (FSB1) bolts through a ½" to 3" diameter hole in surfaces up to 1½" thick.
- Clamp Mount (FSS1) clamps to a surface edge ½" - 2¾" thick.

Spring Adjustable Monitor Arm

- Arms include both 75mm and 100mm VESA mounting brackets and supports monitors/accessories up to 15 lbs.
- Arms provide a 360° view in portrait or landscape, with a 10½" height adjustment range.
- Clamps to surfaces ½" - 2¾" thick.

Vertical Adjustment Mechanism (FSVAMBK)

- Front adjustment mechanism can be added to any arm to provide 9" of vertical adjustment without manual repositioning on post; for monitors up to 15 lbs.
- Finish is silver with black trim.

NOTES

- » Additional multiple monitor combinations available upon request; consult factory.

How to Specify

Step 1. Product Number

- FSB1** Monitor Arm, bolt, 1 monitor
- FSS1** Monitor Arm, clamp, 1 monitor
- FSVAM** Vertical Adjustment Mechanism

Step 2. Arm

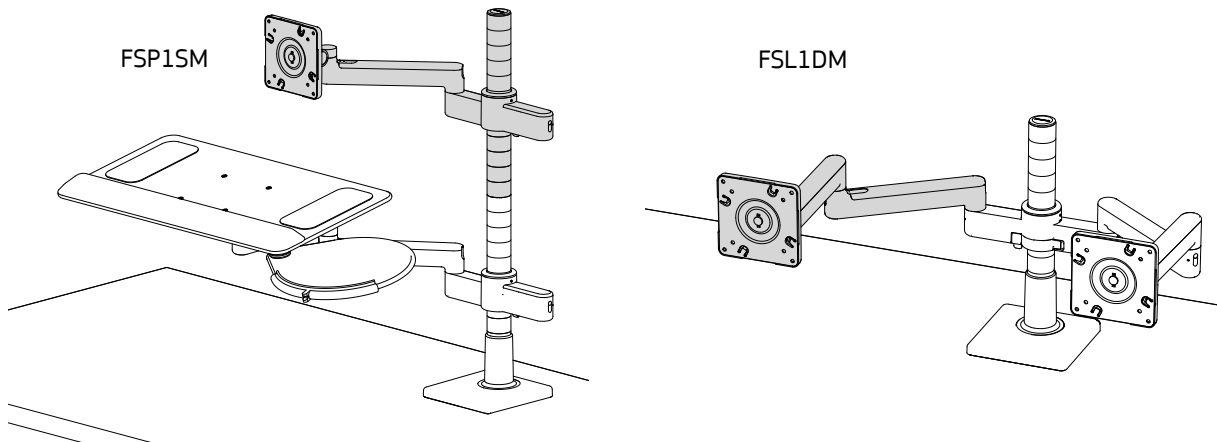
- SM** Single Arm
- DM** Double Arm
- DP** Spring Adjustable Double Arm (*Clamp only*)

Step 3. Finish Color Code

- BK** Black
- SG** Silver with Grey Trim
- WA** Polished Aluminum with White Trim

Product Number	Description	Height		Depth		Weight	
		in.	[mm]	in.	[mm]	lb.	[kg]
FSB1SM	Bolt mount, 1 monitor, single arm	13 ¾	349	6 ½-14 ½	165-368	12	5
FSB1DM	Bolt mount, 1 monitor, double arm	13 ¾	349	8 ½-20	203-508	13	6
FSS1SM	Clamp mount, 1 monitor, single arm	13 ¾	349	6 ½-14 ½	165-368	12	5
FSS1DM	Clamp mount, 1 monitor, double arm	13 ¾	349	8 ½-20	203-508	13	6
FSS1DP	Spring adjustable, 1 monitor, double arm	13 ¾-22.5	349-572	26	660	14	6
FSVAMBK	Vertical adjustment mechanism, arm mount	13 ¾	349	1 ⅝	41	4	2

Rev 1/19/21



MONITOR ARMS, ADD-ON POST

- Add-on Post with articulating monitor arm adds a second tier to monitor arm posts.
- The extension arm extends in or out and can be rotated up to 360 degrees. Height is adjustable along the length of the post-mounted base.
- Can be used in conjunction with a separate keyboard or notebook holder.
- Arm supports monitors/accessories up to 15 lbs.
- Must order surface bolt or clamp mount arm separately; see page 11.6.

How to Specify

Step 1. Product Number

- FSP1 Monitor Arm, Add-on Post
- FSL1 Monitor Arm Set, Add-on

Step 2. Arm

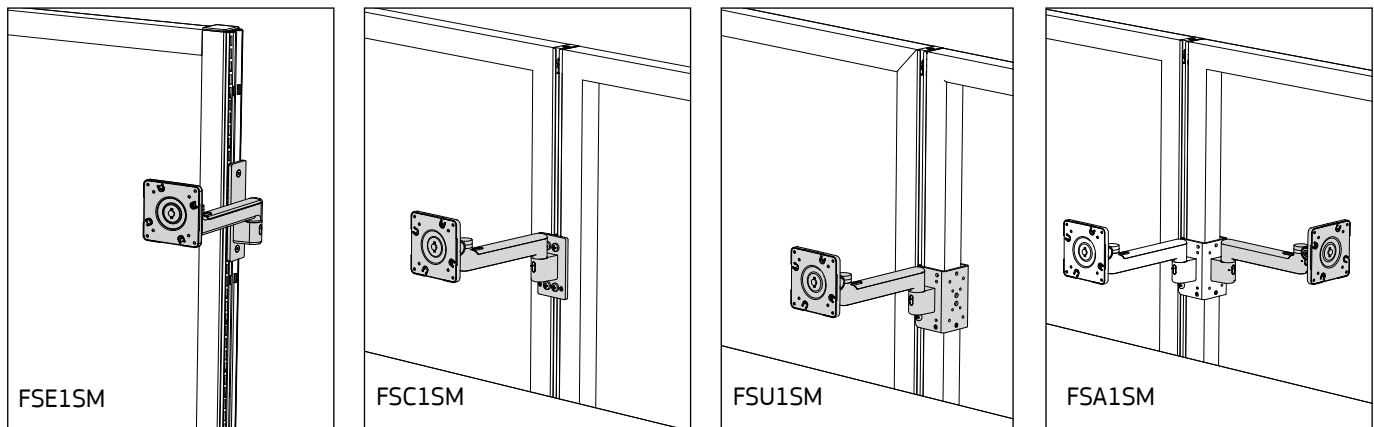
- NM No Arm
- SM Single Arm
- DM Double Arm
- DP Spring Adjustable Double Arm (*FSP1 only*)

Step 3. Finish Color Code

- BK Black
- SG Silver with Grey Trim
- WA Polished Aluminum with White Trim

Product Number	Description	Height		Depth		Weight	
		in.	[mm]	in.	[mm]	lb.	[kg]
FSP1NM	Monitor add-on post 12" H, no arm	13	330	3 ¾	95	10	5
FSP1SM	Monitor add-on post 12" H, 1 arm, 1 monitor	13	330	11 ½	292	12	5
FSP1DM	Monitor add-on post 12" H, 2 arms, 1 monitor each	13	330	19 ¼	489	13	6
FSL1SM	Arm set, single, 8" straight arm, 1 monitor each	5 ¼	133	11 ½	292	7	3
FSL1DM	Arm set, double, 8" straight arms, 1 monitor each	7 ¼	184	19 ¼	489	10	5
FSL1DP	Arm set, single, 8" straight arm, single dynamic arm, 1 monitor each	13 ¾	349	26	660	14	6

Rev 10/01/19



MONITORS ARMS, END/CENTER/SADDLE MOUNT

- Arms include both 75mm and 100mm VESA mounting brackets and support monitors/accessories weighing up to 15 lbs.
- Arms provide a 360° view in portrait or landscape, with built-in cable management.
- Center Mount style (FSC1) attaches at a frame joint and adjusts vertically in 1" increments.
- End Mount style (FSE1) attaches to the end of a Riser Frame and adjusts in 6" increments.
- Saddle Mount style (FSU1) straddles the vertical tube of an UltraFrame, Riser Frame or Connector Post and adjusts in 1" increments. The saddle bracket allows flat screen/accessory mounting on the front, inside or back of the frame.
- Add-on Arms (FSA1xM) attach to the front, inside or back mounting positions on an FSU1. Up to two sets of Add-on arms can be attached to the Saddle Mount bracket for a total capacity of 3 arms on an FSU1, one in each position.
- Finish is black.

How to Specify

Step 1. Product Number

- FSE1 Monitor Arm, End Mount, 1 monitor
- FSC1 Monitor Arm, Center Mount, 1 monitor
- FSU1 Monitor Arm, Saddle Mount, 1 monitor
- FSA1 Add-on Arm

Step 2. Arm Type

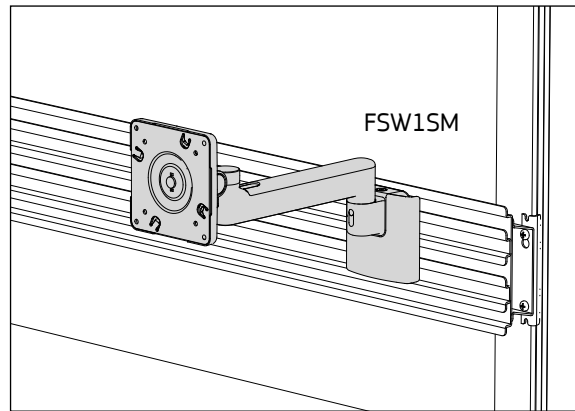
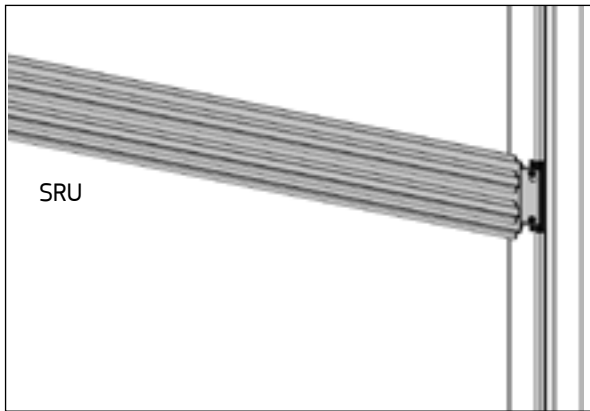
- SM Single arm
- DM Double arm

NOTES

- » Additional multiple monitor combinations available upon request; consult factory.
- » A Vertical Adjustment Mechanism can be added to any arm to provide 9" of vertical adjustment without manual repositioning of the clip-mounted bases. Sold separately; see page 11.6.
- » FSU1 does not attach to Riser Spines, but can be mounted on UltraFrame Spines.
- » End Covers cannot be used on the end of a Riser Frame when a FSE1 is attached.

Product Number	Description	Height		Depth		Weight	
		in.	[mm]	in.	[mm]	lb.	[kg]
FSE1SMBK	End mount, 1 monitor, single arm	7 3/4	197	11 1/2	292	12	5
FSE1DMBK	End mount, 1 monitor, double arm	7 3/4	197	19 1/4	489	13	6
FSC1SMBK	Center mount, 1 monitor, single arm	5 1/4	133	11 1/2	292	12	5
FSC1DMBK	Center mount, 1 monitor, double arm	7 1/4	184	19 1/4	489	13	6
FSU1SMBK	Saddle mount, 1 monitor, single arm	5 1/4	133	11 1/2	292	12	5
FSU1DMBK	Saddle mount, 1 monitor, double arm	7 1/4	184	19 1/4	489	13	6
FSA1SMBK	Add-on arm, 1 monitor, single arm	5 1/4	133	11 1/2	292	10	5
FSA1DMBK	Add-on arm, 1 monitor, double arm	7 1/4	184	19 1/4	489	11	5

Rev 01/06/21



SLATWALL RAIL AND MONITOR ARM

Slatwall Rail

- Provides mounting of slatwall-mounted arms and industry standard slatwall components with horizontal adjustment.
- 3" center-to-center mounting.
- Two mounting locations offering 3" of vertical adjustment on rail.
- Horizontal rails allow for mounting of standard hang-on style plastic parts bins.

Monitor Arm, Slatwall Mount

- Arms include both 75mm and 100mm VESA mounting brackets and support monitors/accessories up to 15 lbs.
- Arms provide a 360° view in portrait or landscape, with built-in cable management.

NOTES

- » For mounting Slatwall Rail on UltraFrame System, order Rail to fit appropriate frame size; see below.
- » A Vertical Adjustment Mechanism can be added to any arm to provide 9" of vertical adjustment without manual repositioning of the clip-mounted bases; see page 11.6.

How to Specify

Step 1. Product Number

- SRU Slatwall Rail
- FSW1 Monitor Arm, Slatwall Mount

Step 2a. Width (Slatwall Rail only)

- 24 24" width 30 30" width 36 36" width
- 48 48" width 60 60" width

Step 2b. Arm (Monitor Arms only)

- SM Single Arm NM No Arm
- DM Double Arm

Step 3a. Paint Color (Slatwall Rail only)

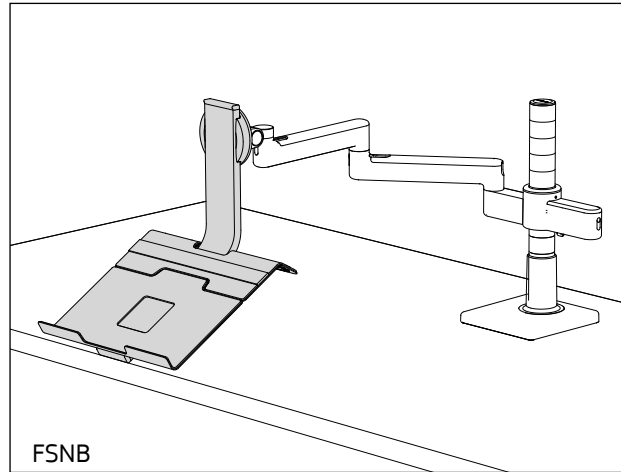
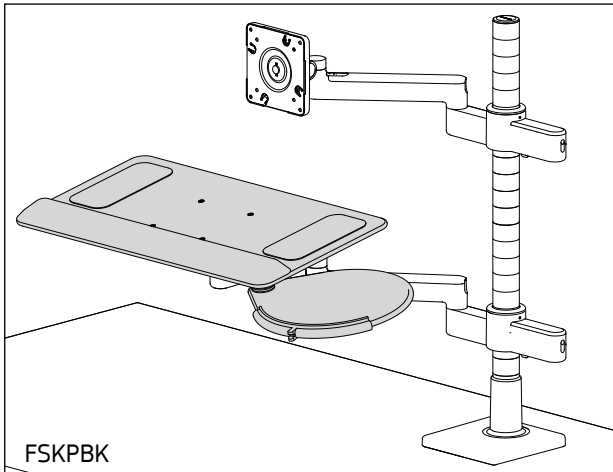
- AW Arctic White GL Grey Light Smooth
- AS Argent Silver GT Grey Light Texture
- BK Black NW Neutral White
- BT Black Texture ST Sand Texture

Step 3b. Finish Color (Monitors Arms only)

- BK Black
- SG Silver with Grey Trim
- WA Polished Aluminum with Trim

Product Number	Description	Height		Width		Depth		Weight	
		in.	[mm]	in.	[mm]	in.	[mm]	lb.	[kg]
FSW1SM	Monitor arm, slatwall, 1 monitor, single arm	4 ¼	108			11 ½	292	8	4
FSW1DM	Monitor arm, slatwall, 1 monitor, double arm	6 ¼	159			19 ¼	489	10	5
FSW1NM	Monitor arm, slatwall, pivot joint, 1 monitor, no arm	3 ¾	95			3 ¾	95	2	1
SRU24	Slatwall rail	5 ½	140	24	610	1	25	10	5
SRU30	Slatwall rail	5 ½	140	30	762	1	25	11	5
SRU36	Slatwall rail	5 ½	140	36	914	1	25	13	6
SRU48	Slatwall rail	5 ½	140	48	1219	1	25	14	6
SRU60	Slatwall rail	5 ½	140	60	1524	1	25	18	8

Rev1-27-21



ARM MOUNT PLATFORM AND NOTEBOOK HOLDER

Arm Mount Platform, Keyboard and Mouse Tray

- Arm Mount Platform helps to save valuable workspace and mounts to all Symbiote Monitor Arms.
- Keyboard Tray is 10⁵/₈" deep by 20¹/₈" wide, and includes a black non-skid pad and removable foam wrist rest.
- A 9" diameter round Mouse Tray is included with each Keyboard Tray. Mouse Trays can be mounted on the left or right side of Keyboard Trays and swivel 270° to hide under trays when needed.
- Mouse Trays include a black non-skid pad and moveable stopper to protect the mouse from falling off the tray.
- Load capacity 15 lbs.
- Finish is Black.

Notebook Holder

- Notebook Holder has an adjustable tray and supports notebooks up to 18" for a more ergonomic workspace.
- Holder can attach to any arm, positioning the holder at the optimum height and focal length.
- Viewing angle can be tilted up to 35° forward to reduce screen glare.
- Tray supports notebooks or accessories up to 12 lbs.
- Finish is Silver or White.

How to Specify

Step 1. Product Number

- FSKP Keyboard and Mouse Tray Platform
- FSNB Monitor Arm, Center Mount

Step 2. Finish Color Code (Notebook Holder)

- SG Silver
- WA White

Product Number	Description	Width		Depth		Weight	
		in.	[mm]	in.	[mm]	lb.	[kg]
FSKPBK	Keyboard and mouse tray platform, arm, black mount	20 1/8	511	10 1/2	267	4.5	2
FSNBSG	Notebook holder, silver	14	356	11	279	5	2
FSNBWA	Notebook holder, white	14	356	11	279	5	2

Rev 10/01/19