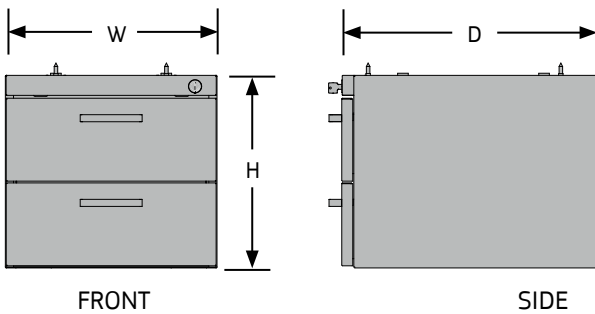
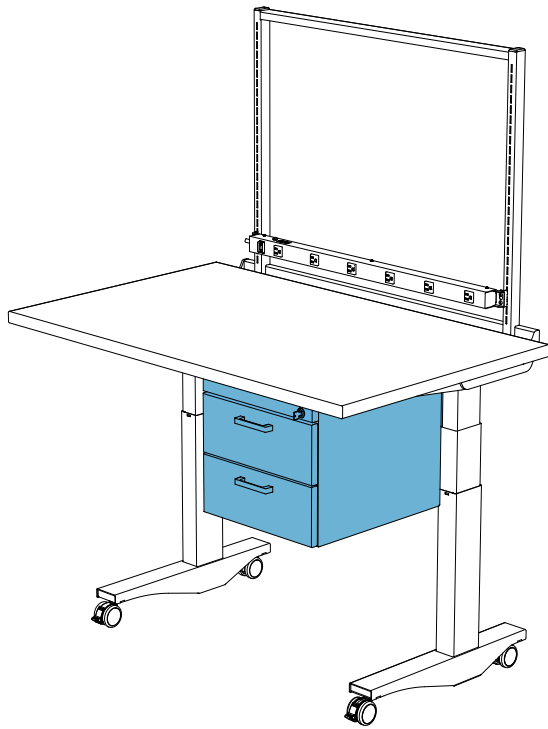


SECTION 7. STORAGE / ACCESSORIES

Pedestal Drawers, Hanging7.2
Pencil Drawer7.3
Totes and Tote Bearers.....7.4
Tote Holders, Surface Mount7.5
Storage Bins7.6
Privacy Panel / White Board Panel7.7
Tackable Insert7.8





PEDESTAL DRAWERS, HANGING

Pedestal drawers have double-wall drawer fronts and drawer sides. Drawers feature ball-bearing slides with quick disconnect and anti-rebound features (full-extension slides on file drawers, ¾-extension on box drawers). Pedestals meet or exceed ANSI-BIFMA standards for safety and reliability.

- Load capacity is up to 50 lbs. per drawer, not to exceed 150 lbs. per unit.
- Pedestals are keyed randomly (UM226-425) unless otherwise specified. Master keys and core removal keys available; consult factory.

How to Specify

Step 1. Product Number

PH

Step 2. Drawer Size / Style

6 box, maximum 2

12 file, maximum 1

Step 3. Paint Color Code

- AS Argent Silver
- AW Arctic White
- BK Black
- GL Grey Light
- NW Neutral White

Product Number	Description	Height		Width		Depth		Weight	
		in.	[mm]	in.	[mm]	in.	[mm]	lb.	[kg]
PH6	Hanging box	7 5/8	194	15	381	18	457	22	10.0
PH66	Hanging box/box	13 5/8	346	15	381	18	457	33	15.0
PH12	Hanging file	13 5/8	346	15	381	18	457	28	12.7

Rev 12.23.16

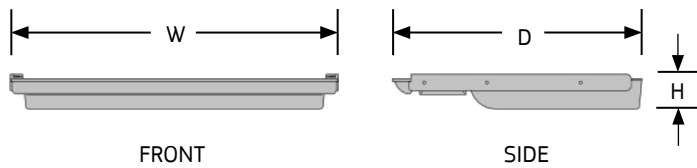
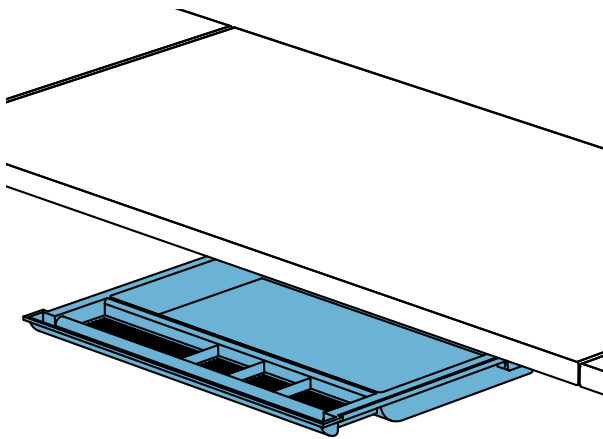
PENCIL DRAWER

Black plastic drawers provide storage for pencils, pens, office accessories and other small items. Drawers only mount under standard and corner work surfaces > 24" deep.

- Surfaces are not pre-drilled for pencil drawers.
- Load capacity is 25 lbs.

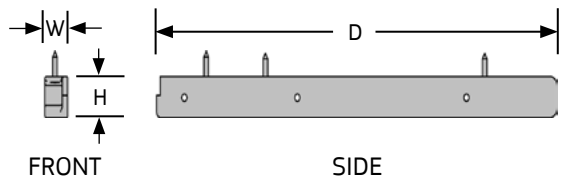
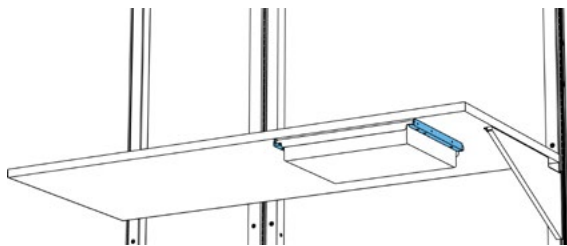
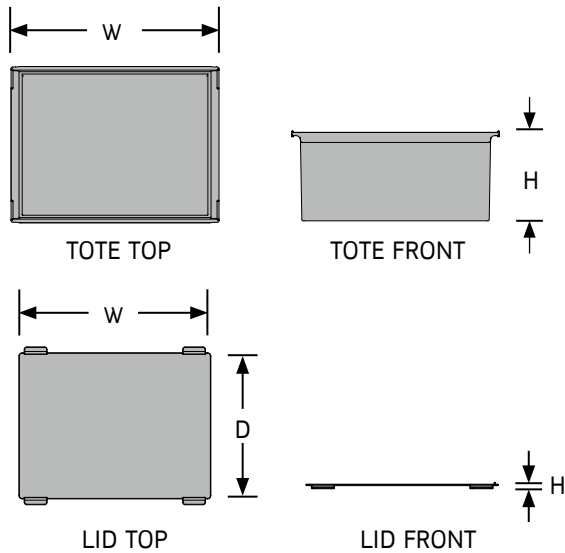
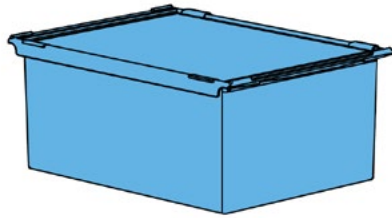
How to Specify

Step 1. Product Number
PD2015BK



Product Number	Description	Height		Width		Depth		Weight	
		in.	[mm]	in.	[mm]	in.	[mm]	lb.	[kg]
PD2015BK	Pencil drawer, black	2	51	21	533	18	457	5	2.3

Rev 12.23.16



TOTES AND TOTE BEARERS

Totes

Totes provide storage and a means of transportation for materials in workstations. Totes mount beneath surfaces as drawers using Tote Bearers or slide into Tote Holders for use as drawers.

- Load capacity is 25 lbs. when used with Tote Bearers and Tote Holders.
- Tote Bearers (see below) and Surface Mount Tote Holders (see page 7.5) are both sold separately.
- Tote finish is Ice.
- Tote Lid sold separately.

How to Specify

Step 1. Product Number

- T3A** 3" High
- T6B** 6" High
- T9C** 9" High

Step 2. Finish Color Code

- CE** Ice

Tote Bearers

Tote Bearers are compatible with Symbiote Totes and Co/Struc® products. Bearers include an integral stop to prevent Totes from extending out of the track. Sold as a pair. Plastic finish is Dark Tone.

- Tote Drawers are available. Contact Symbiote customer service for pricing and availability.
- Tote Bearers only mount under standard and corner work surfaces > 24" deep.

How to Specify

Step 1. Product Number

- TBDT**

Product Number	Description	Height		Width		Depth		Weight	
		in.	[mm]	in.	[mm]	in.	[mm]	lb.	[kg]
T3ACE	A tote	3	76	20 5/8	524	15 1/2	394	3	1.4
T6BCE	B tote	6	152	20 5/8	524	15 1/2	394	4	1.8
T9CCE	C tote	9	229	20 5/8	524	15 1/2	394	5	2.3
TBDT	Tote bearer, pair	3/4	19	1	25	14 1/4	362	1	.5

Rev 09.06.22

TOTE HOLDERS, SURFACE MOUNT

Tote Holders provide storage for Symbiote Totes below a work- surface. Steel units include five slots in 3" intervals for Tote storage. Tote Holders only mount under standard and corner work surfaces > 24" deep.

- Load capacity 125 lbs. total with a maximum capacity of 25 lbs. per Tote.
- Totes sold separately; see page 7.4.

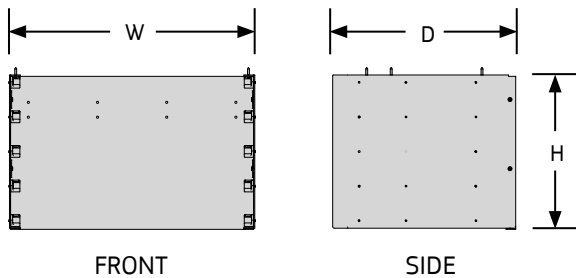
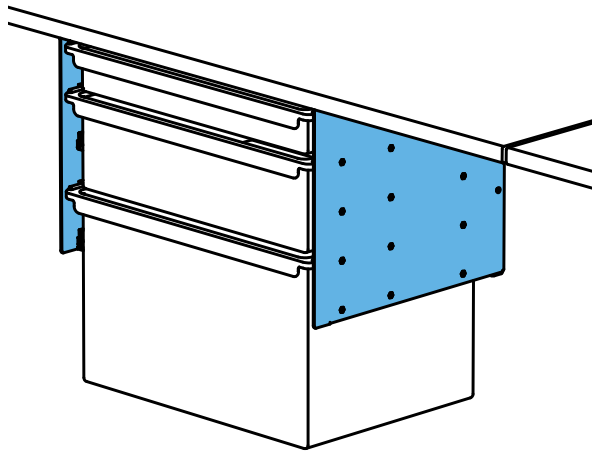
How to Specify

Step 1. Product Number

STHS5

Step 2. Paint Color Code

- AS Argent Silver
- AW Arctic White
- BK Black
- GL Grey Light
- NW Neutral White



Product Number	Description	Height		Width		Depth		Weight	
		in.	[mm]	in.	[mm]	in.	[mm]	lb.	[kg]
STHS5	Surface mount	13 3/8	340	21 1/4	540	15 7/8	403	25	11.3

Rev 12.23.16

STORAGE BINS

Bins provide storage and organization of small items. Made from a heavy-duty industrial grade polymer, Bins hang from Slatwall/Bin Rails or stack together. Load capacity is 30 lbs per bin.

- Sold in packages of 5.
- Available in blue (BL) or clear (CL).

How to Specify

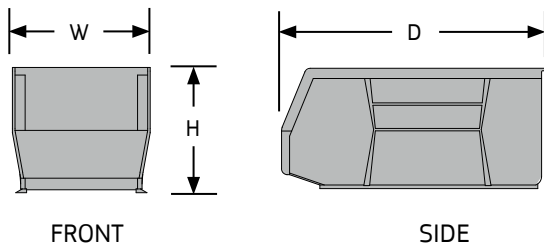
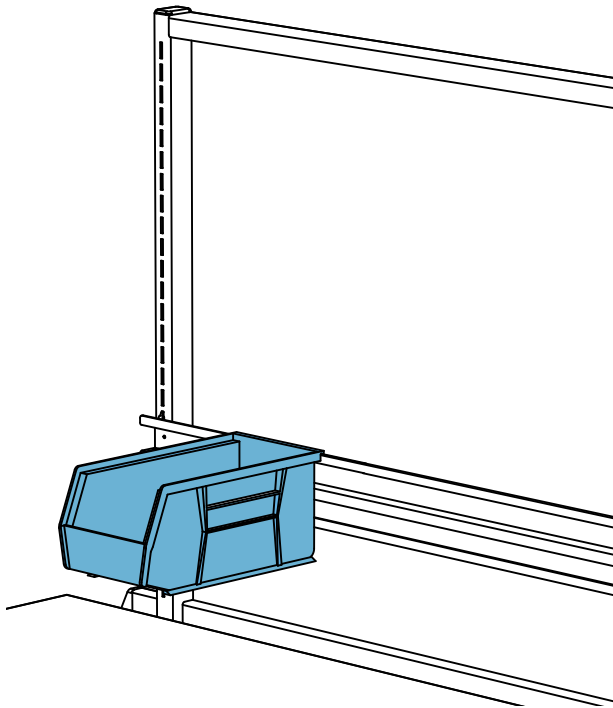
Step 1. Product Number

AB30230

Step 2. Finish Color Code

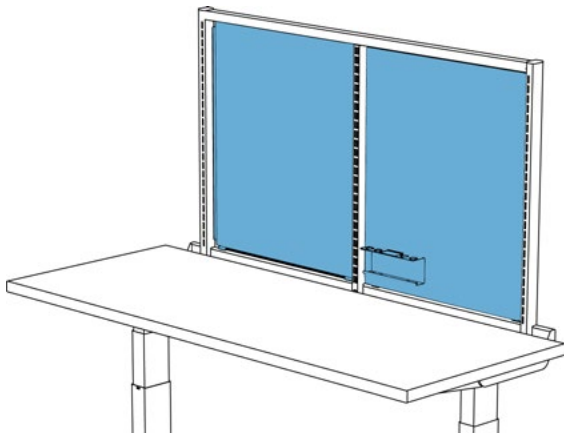
BL Blue

CL Clear



Product Number	Description	Height		Width		Depth		Weight	
		in.	[mm]	in.	[mm]	in.	[mm]	lb.	[kg]
AB30230BL	Akro Bin, 5-pack, blue	5	127	5 ½	140	10 7/8	276	½	0.2
AB30230CL	Akro Bin, 5-pack, clear	5	127	5 ½	140	10 7/8	276	½	0.2

Rev 12.23.16



PRIVACY PANEL / WHITE BOARD PANEL

Privacy Panels and White Board Panels help to support increased focus in busy work areas. Made from metal, panels can be used with magnets and mount inside the ErgoStat Pro Riser Frame without the need for tools or mounting hardware. White Boards are painted with a marker board white paint on both sides.

- White Board includes a black tray used to hold up to four dry erase markers and an eraser. Tray has a high energy magnet on the back for mounting anywhere on the White Board.

How to Specify

Step 1. Product Number

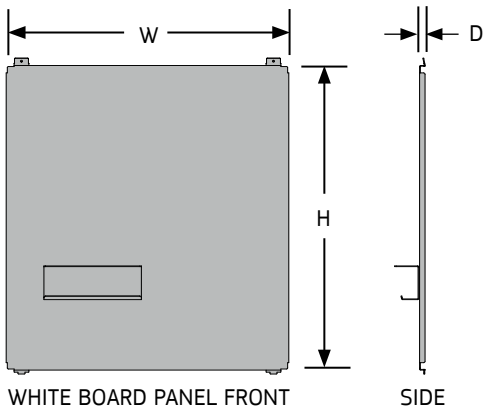
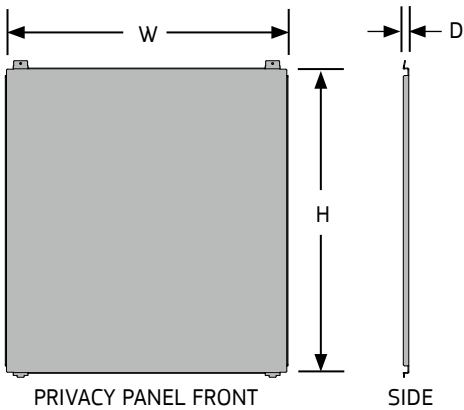
- PRPM29** Privacy Panel
- PRPW29** White Board

Step 2. Width

- 24** 24" wide
- 30** 30" wide
- 36** 36" wide

Step 3. Paint Color Code (*Privacy Panel Only*)

- AS** Argent Silver **GL** Grey Light
- AW** Arctic White **NW** Neutral White
- BK** Black



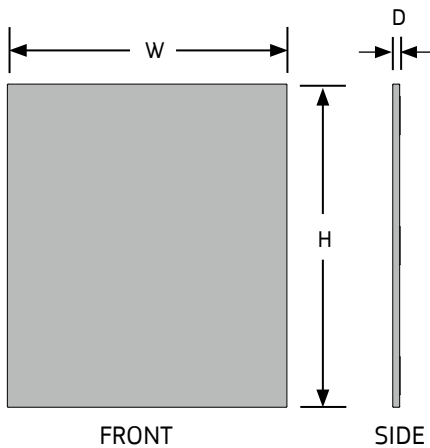
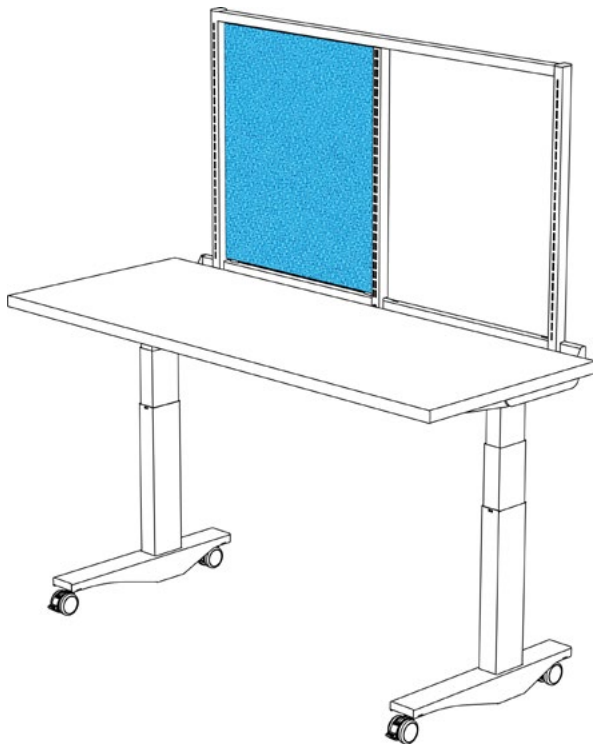
Product Number	Description	Height		Width		Depth		Weight	
		in.	[mm]	in.	[mm]	in.	[mm]	lb.	[kg]
PRPM2924	Privacy panel	26	659	22 ½	572	½	11	10	4.7
PRPM2930	Privacy panel	26	659	28 ½	724	½	11	13	5.9
PRPM2936	Privacy panel	26	659	34 ½	876	½	11	16	7.1
PRPW2924	White board	26	659	22 ½	572	½	11	11	5.0
PRPW2930	White board	26	659	28 ½	724	½	11	14	6.2
PRPW2936	White board	26	660	34 ½	876	½	11	17	7.5

Rev 7.18.17

TACKABLE INSERT

The Tackable Insert has a low-density foam core covered with a durable stain-resistant fabric. Using high energy magnet strips, Tackable Inserts mount securely to Privacy Panels or the back of White Board Panels providing a tackable hanging space for individual work areas.

- Privacy and White Board Panels sold separately. See page 7.7.
- No tools necessary for installation.



How to Specify

Step 1. Product Number

PPT29

Step 2. Width

24 24" wide

30 30" wide

36 36" wide

Step 3. Fabric Color Code

A2035 Angora

A2079 Graphite

A2053 Asteroid

M040 Limestone

A2047 Eucalyptus

M024 Subway

A2084 Geranium

A2691 Waterfall

Product Number	Description	Height		Width		Depth		Weight	
		in.	[mm]	in.	[mm]	in.	[mm]	lb.	[kg]
PPT2924	Tackable insert	25 3/4	654	22 1/4	565	5/8	16	1	0.5
PPT2930	Tackable insert	25 3/4	654	28 1/4	718	5/8	16	1	0.6
PPT2936	Tackable insert	25 3/4	654	34 1/4	870	5/8	16	2	0.7

Rev 1.13.25