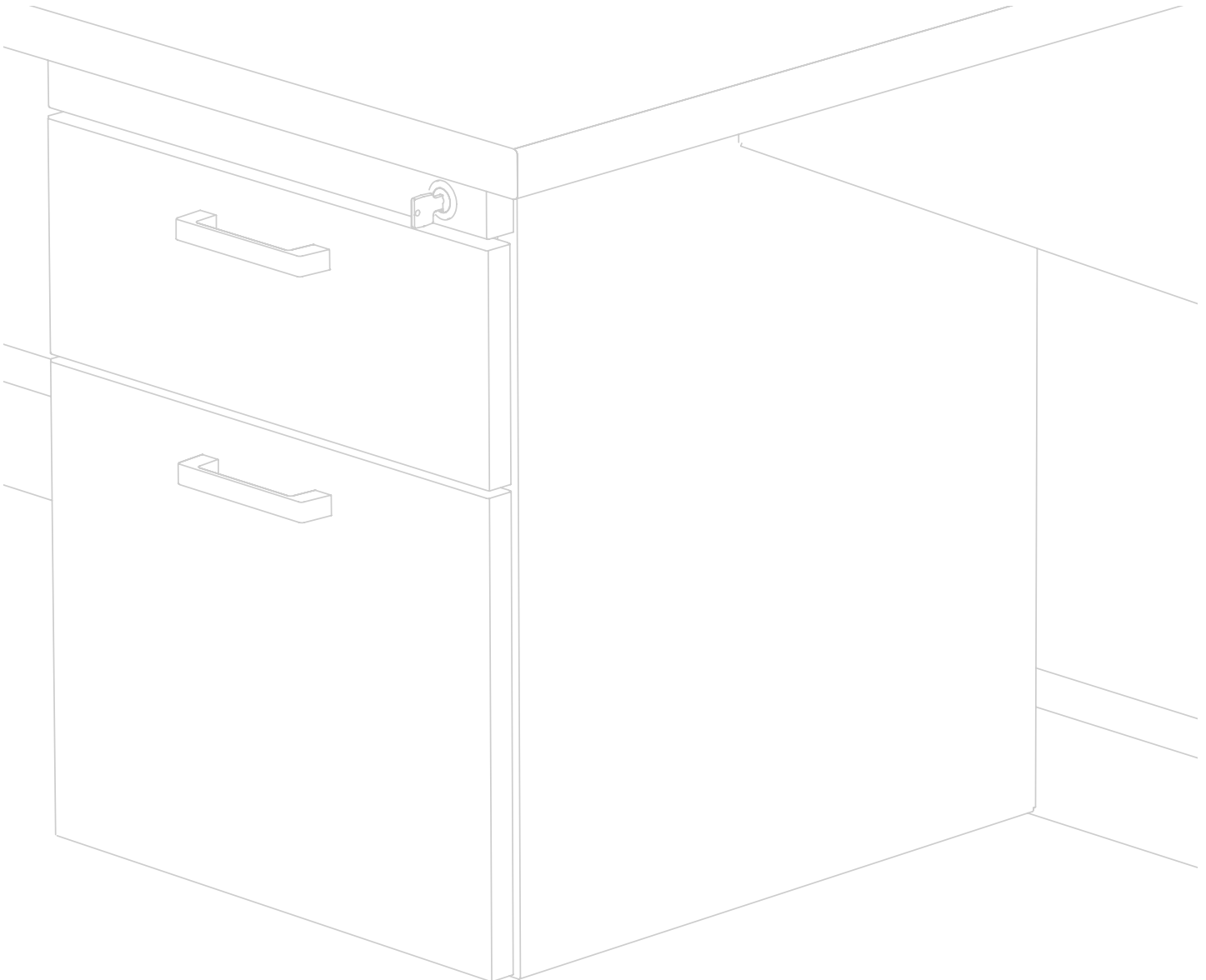


## SECTION 7. STORAGE / ACCESSORIES

---

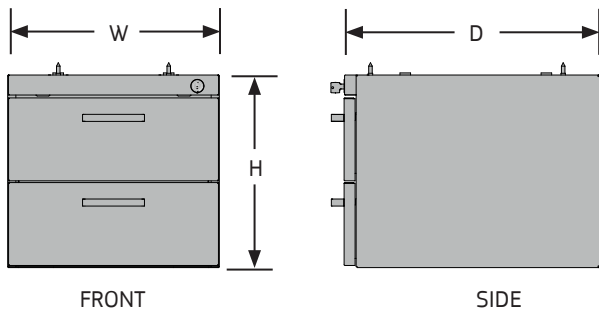
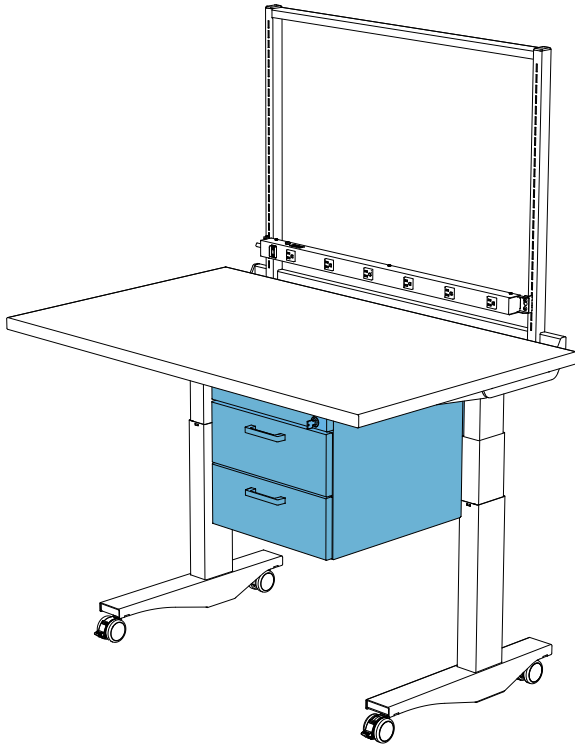
PEDESTAL DRAWERS, HANGING .....	7.2
PENCIL DRAWER .....	7.3
TOTES AND TOTE BEARERS .....	7.4
TOTE HOLDERS, SURFACE MOUNT .....	7.5
STORAGE BINS .....	7.6
PRIVACY PANEL / WHITE BOARD PANEL .....	7.7
TACKABLE INSERT .....	7.8



**PEDESTAL DRAWERS, HANGING**

Pedestal drawers have double-wall drawer fronts and drawer sides. Drawers feature ball-bearing slides with quick disconnect and anti-rebound features (full-extension slides on file drawers, 3/4-extension on box drawers). Pedestals meet or exceed ANSI-BIFMA standards for safety and reliability.

- Load capacity is up to 50 lbs. per drawer, not to exceed 150 lbs. per unit.
- Pedestals are keyed randomly (UM226-425) unless otherwise specified. Master keys and core removal keys available; consult factory.



**How to Specify**

Step 1. Product Number

PH

Step 2. Drawer Size / Style

6 box, maximum 2

12 file, maximum 1

Step 3. Paint color code

**PAINT COLOR (select one)**

- AS Argent Silver
- AW Arctic White
- BK Black
- GL Grey Light
- NW Neutral White

Product Number	Description	Height		Width		Depth		Weight	
		in.	[mm]	in.	[mm]	in.	[mm]	lb.	[kg]
PH6	hanging box	7 5/8	194	15	381	18	457	22	10.0
PH66	hanging box/box	13 5/8	346	15	381	18	457	33	15.0
PH12	hanging file	13 5/8	346	15	381	18	457	28	12.7

Rev 12.23.16

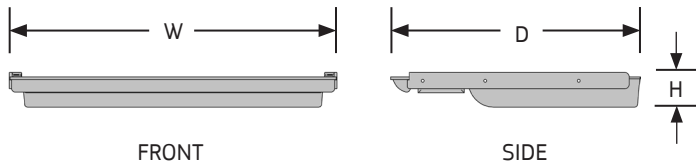
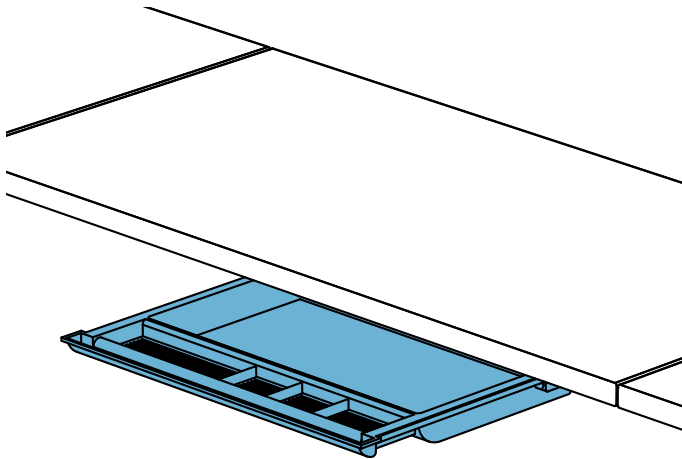
**PENCIL DRAWER**

Black plastic drawers provide storage for pencils, pens, office accessories and other small items. Drawers only mount under standard and corner worksurfaces > 24" deep.

- Surfaces are not pre-drilled for pencil drawers.
- Load capacity is 25 lbs.

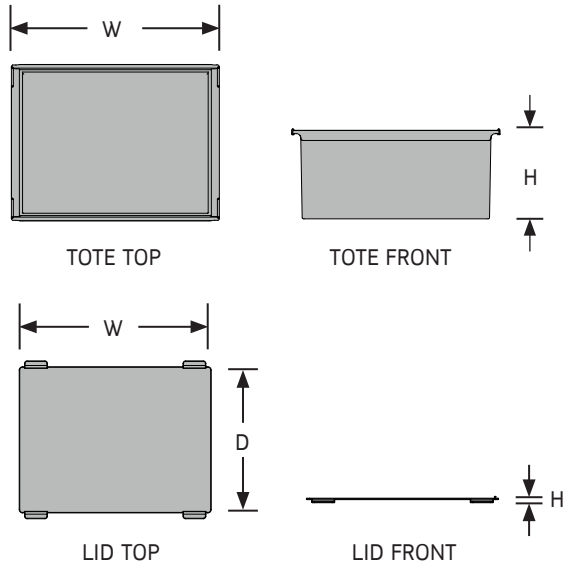
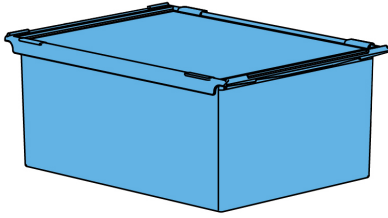
**How to Specify**

Step 1. Product Number



Product Number	Description	Height		Width		Depth		Weight	
		in.	[mm]	in.	[mm]	in.	[mm]	lb.	[kg]
PD2015BK	Pencil drawer, black	2	51	21	533	18	457	5	2.3

Rev 12.23.16



## TOTES AND TOTE BEARERS

### Totes

Totes provide storage and a means of transportation for materials in workstations. Totes mount beneath surfaces as drawers using Tote Bearers or slide into Tote Holders for use as drawers.

- Load capacity is 25 lbs. when used with Tote Bearers and Tote Holders.
- Tote Bearers (see below) and [Surface Mount Tote Holders](#) (see page 7.5) are both sold separately.
- Tote finish is Ice.
- Tote Lid sold separately.

### How to Specify

#### Step 1. Product Number

- T3A 3" High
- T6B 6" High
- T9C 9" High

#### Step 2. Color code

- CE Ice

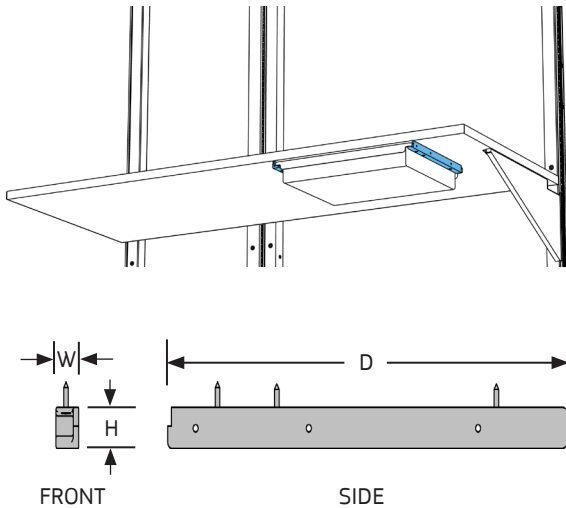
### Tote Bearers

Tote Bearers are compatible with Symbiote Totes and Co/Struc® products. Bearers include an integral stop to prevent Totes from extending out of the track. Sold as a pair. Plastic finish is Dark Tone.

- Tote Drawers are available. Contact Symbiote customer service for pricing and availability.
- Tote Bearers only mount under standard and corner worksurfaces > 24" deep.

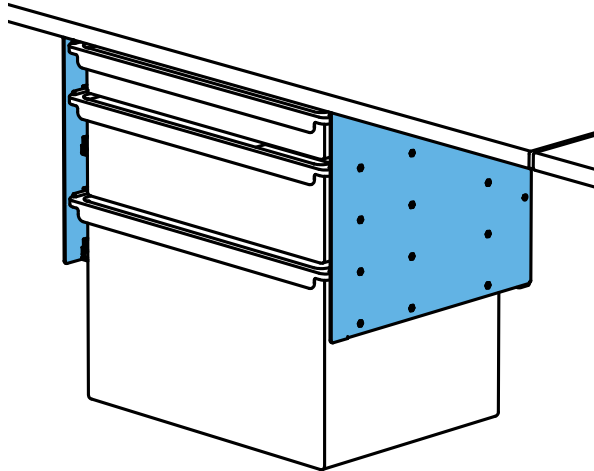
### How to Specify

#### Step 1. Product Number



Product Number	Description	Height		Width		Depth		Weight	
		in.	[mm]	in.	[mm]	in.	[mm]	lb.	[kg]
T3ACE	A tote	3	76	20 5/8	524	15 1/2	394	3	1.4
T6BCE	B tote	6	152	20 5/8	524	15 1/2	394	4	1.8
T9CCE	C tote	9	229	20 5/8	524	15 1/2	394	5	2.3
TBTD	tote bearer, pair	12	305	20 5/8	524	15 1/2	394	6	2.7

**TOTE HOLDERS, SURFACE MOUNT**



Tote Holders provide storage for Symbiote Totes below a work-surface. Steel units include five slots in 3" intervals for Tote storage. Tote Holders only mount under standard and corner worksurfaces > 24" deep.

- Load capacity 125 lbs. total with a maximum capacity of 25 lbs. per Tote.
- [Totes](#) sold separately; see page 7.4.

**How to Specify**

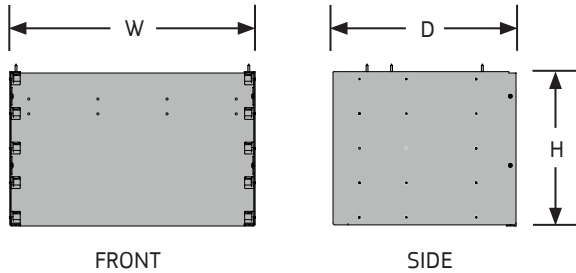
Step 1. Product Number

**STH55**

Step 2. Paint color code

**PAINT COLOR (select one)**

- AS Argent Silver
- AW Arctic White
- BK Black
- GL Grey Light
- NW Neutral White



Product Number	Description	Height		Width		Depth		Weight	
		in.	[mm]	in.	[mm]	in.	[mm]	lb.	[kg]
STH55		13 3/8	340	21 1/4	540	15 7/8	403	25	11.3

Rev 12.23.16

**STORAGE BINS**

Bins provide storage and organization of small items. Made from a heavy-duty industrial grade polymer, Bins hang from Slatwall/ Bin Rails or stack together. Load capacity is 30 lbs per bin.

- Sold in packages of 5.
- Available in blue (BL) or clear (CL).

**How to Specify**

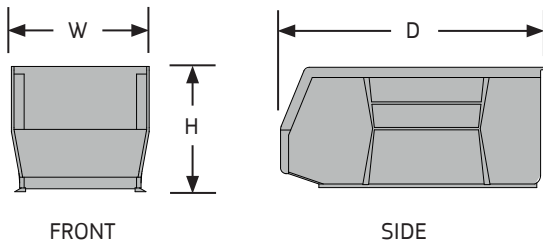
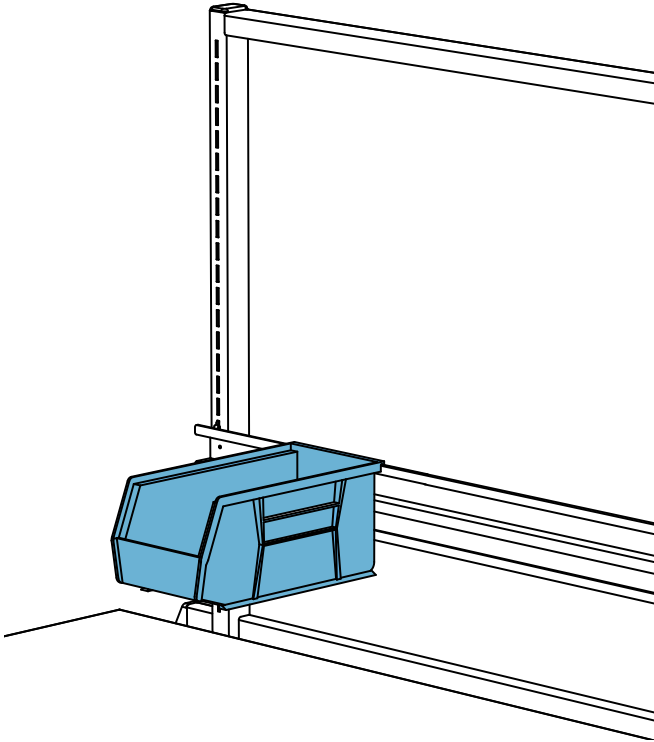
Step 1. Product Number

**AB30230**

Step 2. Color Code

**BL** Blue

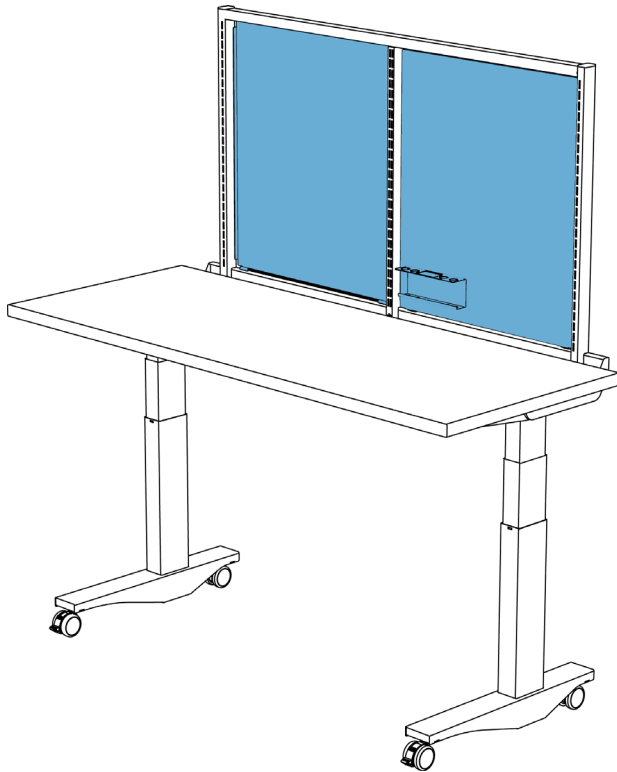
**CL** Clear



Product Number	Description	Height		Width		Depth		Weight	
		in.	[mm]	in.	[mm]	in.	[mm]	lb.	[kg]
AB30230BL		5	127	5 ½	140	10 7/8	276	½	0.2
AB30230CL		5	127	5 ½	140	10 7/8	276	½	0.2

Rev 12.23.16

**PRIVACY PANEL / WHITE BOARD PANEL**



Privacy Panels and White Board Panels help to support increased focus in busy work areas. Made from metal, panels can be used with magnets and mount inside the ErgoStat Pro Riser Frame without the need for tools or mounting hardware. White Boards are painted with a marker board white paint on both sides.

- White Board includes a black tray used to hold up to four dry erase markers and an eraser. Tray has a high energy magnet on the back for mounting anywhere on the White Board.

**How to Specify**

Step 1. Product Number

PRPM29  
PRPW29

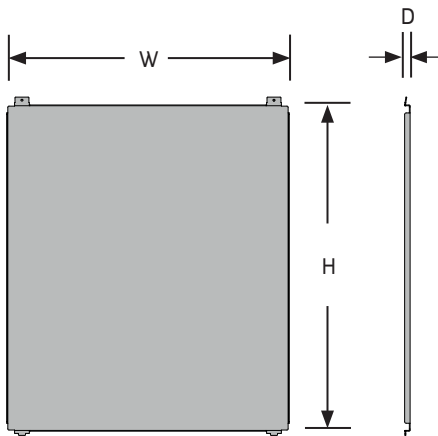
Step 2. Width

24 24" wide  
30 30" wide  
36 36" wide

Step 3. Paint color code (*Privacy Panel Only*)

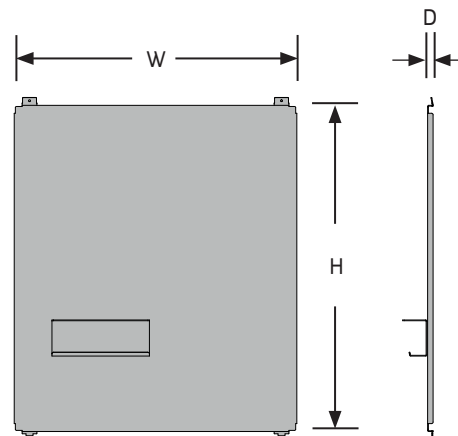
**PAINT COLOR (select one)**

AS Argent Silver      GL Grey Light  
AW Arctic White      NW Neutral White  
BK Black



PRIVACY PANEL FRONT

SIDE

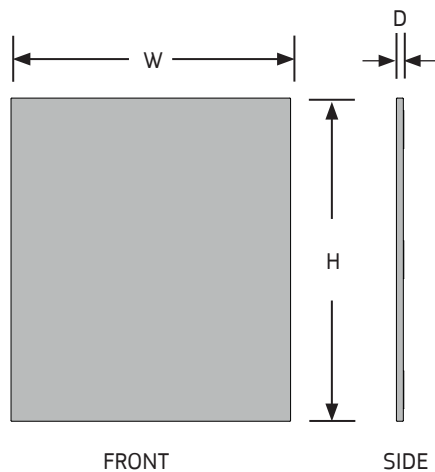
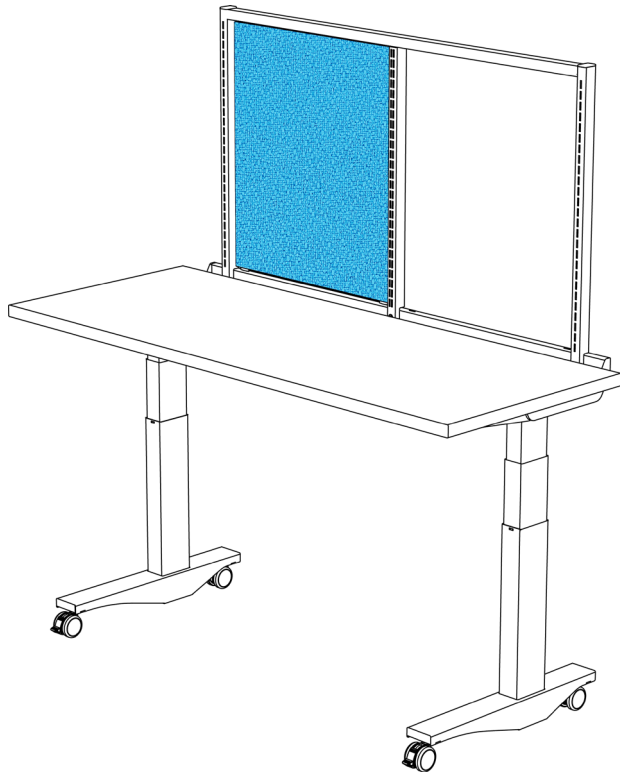


WHITE BOARD PANEL FRONT

SIDE

Product Number	Description	Height		Width		Depth		Weight	
		in.	[mm]	in.	[mm]	in.	[mm]	lb.	[kg]
PRPM2924	privacy panel	26	659	22 ½	572	½	11	10	4.7
PRPM2930	privacy panel	26	659	28 ½	724	½	11	13	5.9
PRPM2936	privacy panel	26	659	34 ½	876	½	11	16	7.1
PRPW2924	white board	26	659	22 ½	572	½	11	11	5.0
PRPW2930	white board	26	659	28 ½	724	½	11	14	6.2
PRPW2936	white board	26	660	34 ½	876	½	11	17	7.5

Rev 7.18.17



### TACKABLE INSERT

The Tackable Insert has a low-density foam core covered with a durable stain-resistant fabric. Using high energy magnet strips, Tackable Inserts mount securely to Privacy Panels or the back of White Board Panels providing a tackable hanging space for individual work areas.

- Privacy and White Board Panels sold separately. See page 7.7.
- No tools necessary for installation.

#### How to Specify

Step 1. Product Number

**PPT29**

Step 2. Width

**24** 24" wide

**30** 30" wide

**36** 36" wide

Step 3. Fabric color code

#### FABRIC COLOR (select one)

**A2035** Angora                      **A2084** Geranium

**A2053** Asteroid                    **A2079** Graphite

**M031** Cement                      **M024** Subway

**A2047** Eucalyptus                **A2691** Waterfall

Product Number	Description	Height		Width		Depth		Weight	
		in.	[mm]	in.	[mm]	in.	[mm]	lb.	[kg]
PPT2924		25 3/4	654	22 1/4	565	5/8	16	1	0.5
PPT2930		25 3/4	654	28 1/4	718	5/8	16	1	0.6
PPT2936		25 3/4	654	34 1/4	870	5/8	16	2	0.7

Rev 7.18.17