

SECTION 6. COMPUTER ACCESSORIES

CPU Holder 6.2

Monitor Arms 6.3

Monitor Arms, Add-On Posts 6.4

Slatwall / Bin Rail 6.5

Monitor Arm, Slatwall Mount 6.5

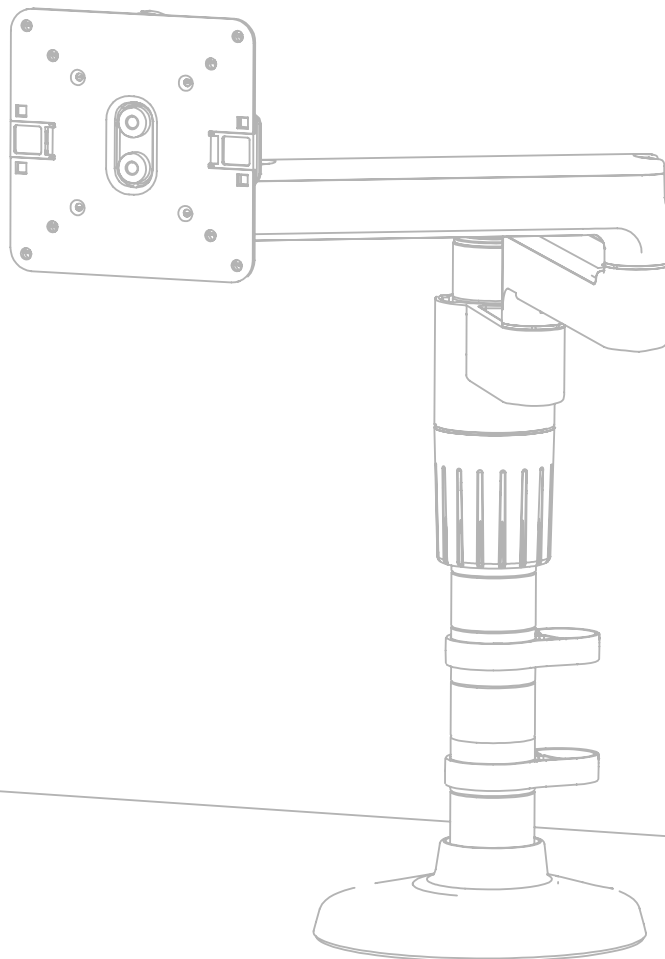
Arm Mount Platform, Keyboard, Mouse Tray 6.6

Notebook Holder 6.6

Keyboard with Mouse Tray, Surface Mount 6.7

Cable Tray 6.8

Modesty Panel 6.9



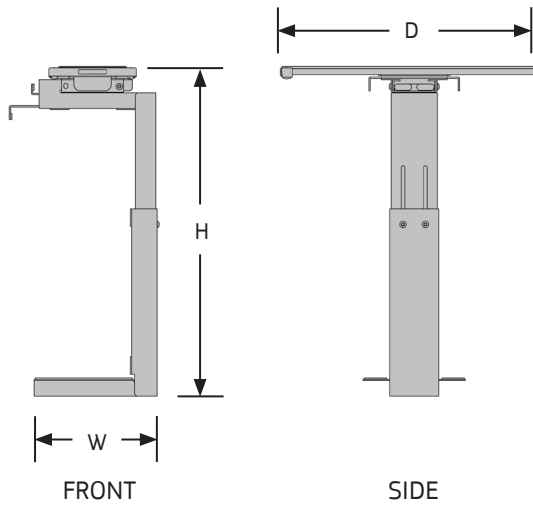
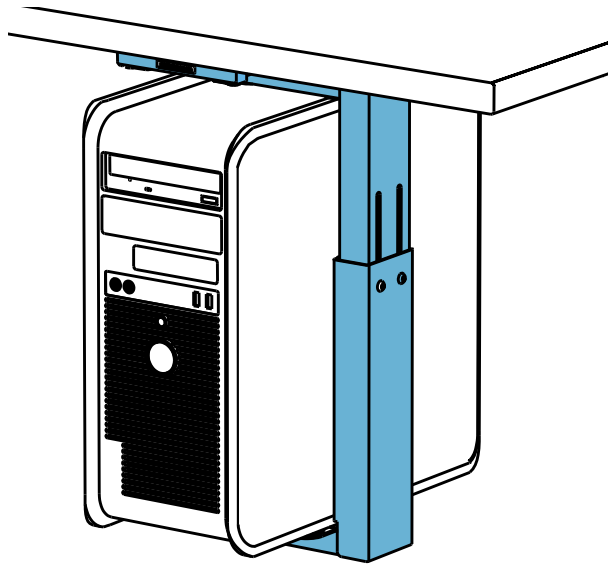
CPU HOLDER

CPU Holder provides vertical storage of central processing units below work surfaces. Sliding track allows unit to retract 9 inches and extend 4 inches from the front of the track. Unit swivels 360° for easy access. CPU Holder only mounts under standard and corner work surfaces > 24" deep.

- Fits CPUs 3-9 inches wide and 13.50-19.25 inches tall.
- Load capacity is 75 lbs.
- Finish is Black.

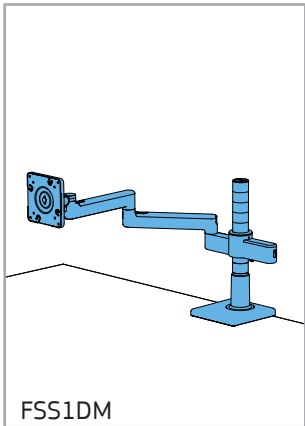
How to Specify

Step 1. Product Number
CPUBBK

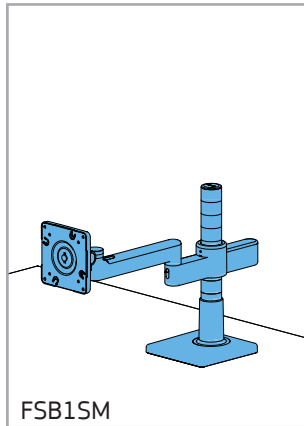


Product Number	Description	Height		Width		Depth		Weight	
		in.	[mm]	in.	[mm]	in.	[mm]	lb.	[kg]
CPUBBK	CPU holder	18-23 ¾	456-603	6½-12½	165-317	16	406	5	2.3

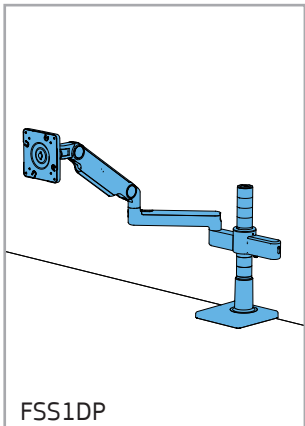
Rev 12.23.16



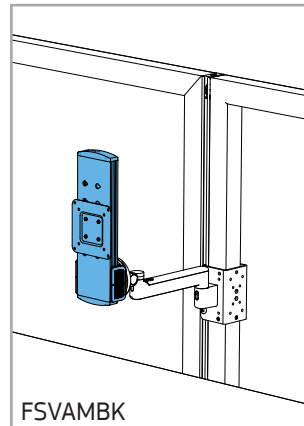
FSS1DM



FSB1SM



FSS1DP



FSVAMBK

MONITOR ARMS

Manual Flat Screen Arms

Arms support monitors and accessories weighing up to 15 lbs. Arms feature built-in cable management and 360° rotation for portrait or landscape viewing. Both 75mm and 100mm VESA mounting brackets are included.

- Surface Mount (**FSS1**) clamps to the edge of surfaces ranging from 1/2" to 2 3/4" thick.
- Bolt Mount (**FSB1**) bolts through a 1/2" to 3" diameter hole in surfaces up to 1 1/2" thick.

Spring Adjustable Flat Screen Arm (FSS1DP)

Arms clamp to 1/2" to 2 3/4" thick surfaces and support monitors and accessories weighing up to 15 lbs. Arms feature 360° rotation for portrait or landscape viewing and a 10 1/2" height adjustment range. Both 75mm and 100mm VESA mounting brackets are included.

Vertical Adjustment Mechanism (FSVAMBK)

The front vertical adjustment mechanism can be added to any arm to provide 9" of vertical adjustment without manual repositioning on post for flat screen monitors weighing up to 15 lbs. Finish is Silver with Black trim only.

Additional multiple monitor combinations available upon request. Consult factory for ordering information.

How to Specify

Step 1. Product Number

FSS1 Clamp Mount **FSB1** Bolt Mount

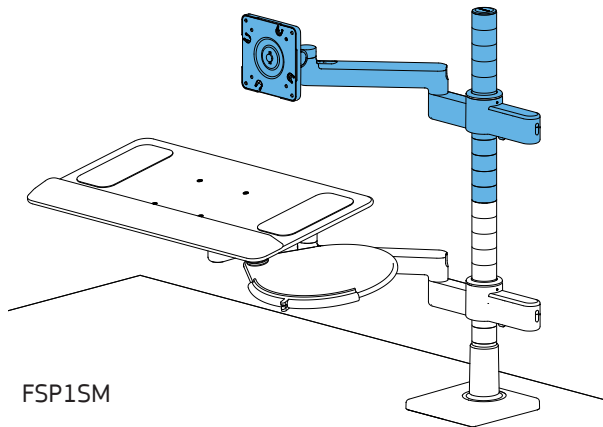
Step 2. Arm Mount

SM Single Arm, Manual **DM** Double Arm, Manual
DP Double Arm, Dynamic (Clamp Mount only)

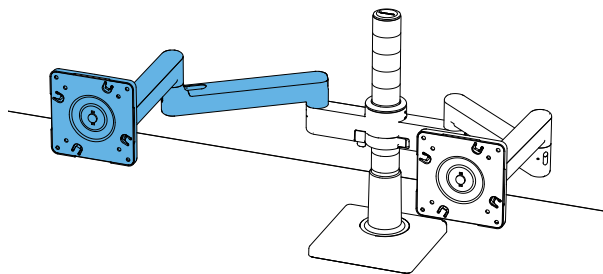
Step 3. Finish Color Code

BK Black
SG Silver with Grey Trim
WA Polished Aluminum with White Trim

Product Number	Description	Height		Depth		Weight	
		in.	[mm]	in.	[mm]	lb.	[kg]
FSS1SM	Manual adj., clamp mount, 1 monitor, single arm	13 3/4	349	6 1/2	165	12	5.4
FSS1DM	Manual adj., clamp mount, 1 monitor, double arm	13 3/4	349	8 1/2	216	13	5.9
FSB1SM	Manual adj., bolt mount, 1 monitor, single arm	13 3/4	349	6 1/2	165	12	5.4
FSB1DM	Manual adj., bolt mount, 1 monitor, double arm	13 3/4	349	8 1/2	216	13	5.9
FSS1DP	Spring adjustable, 1 monitor, double arm	13 3/4	349	26	660	14	6.4
FSVAMBK	Flat screen vertical adjustment mechanism	13 3/4	349	1 5/8	41	4	1.8



FSP1SM



FSL1DM

MONITOR ARMS, ADD-ON POSTS

Add-on Post with articulating flat screen arms make it easy to manually adjust your monitor's placement to reduce eye, neck, and back strains.

- Extension arm extends in or out and can be rotated up to 360 degrees. Height is adjustable along the length of the post-mounted base.
- Can be used in conjunction with a separate keyboard or notebook holder.
- Supports monitors/accessories weighing up to 15 lbs.

How to Specify

Step 1. Product Number

FSP1 Monitor Arm, Add-on Post

FSL1 Monitor Arm Set, Add-on

Step 2. Arm

NM No Arm

SM Single Arm

DM Double Arm

DP Spring Adjustable Double Arm (*FSP1 only**)

**FSP1: See SIP Catalog, page 11.7*

Step 3. Finish Color Code

BK Black

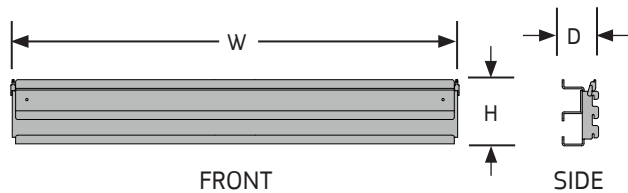
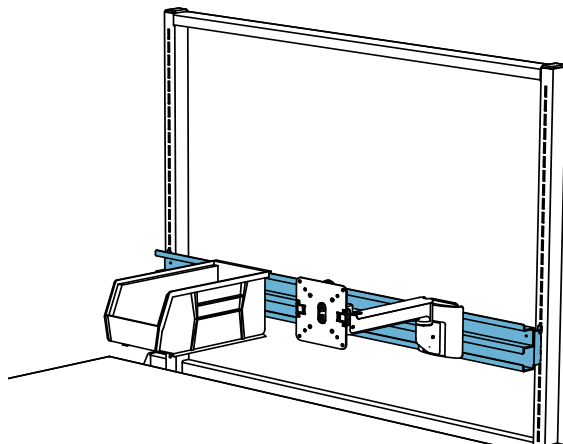
SG Silver with Grey Trim

WA Polished Aluminum with White Trim

Product Number	Description	Height		Depth		Weight	
		in.	[mm]	in.	[mm]	lb.	[kg]
FSP1NM	12" post, no arm, 1 monitor	13	330	3 ¾	95	10	5.0
FSP1SM	12" post, 1 arm, 1 monitor	13	330	11 ½	292	12	5.0
FSP1DM	12" post, 2 arms, 1 monitor	13	330	19 ¼	489	13	6.0
FSL1SM	Arm set, single, 8" straight arm, 1 monitor	5 ¼	133	11 ½	292	7	3.0
FSL1DM	Arm set, double, 8" straight arms, 1 monitor	7 ¼	184	19 ¼	489	10	5
FSL1DP	Arm set, single, 8" straight arm, single dynamic arm, 1 monitor	13 ¾	349	26	660	14	6.5

Rev 10.01.19

SLATWALL / BIN RAIL



Slatwall / Bin Rail provides for mounting and horizontal adjustment of slatwall-mounted arms and industry standard slatwall components. Rail mounts to Riser Frame and adjusts vertically in one inch increments. Load capacity is 40 pounds.

- Holds standard plastic part bins, *sold separately*. See page 7.6.
- Supports a flat panel mount or single monitor arm.

How to Specify

Step 1. Product Number

PSBR

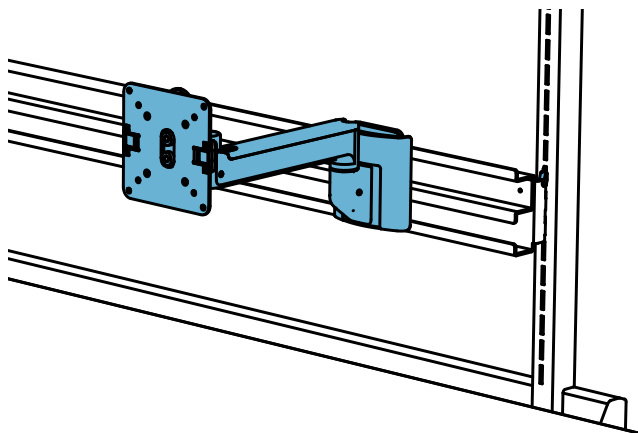
Step 2. Width

24 24" wide **30** 30" wide **36** 36" wide

Step 3. Paint Color Code

AS Argent Silver **GL** Grey Light
AW Arctic White **NW** Neutral White
BK Black

MONITOR ARM, SLATWALL MOUNT



- Arm includes both 75mm and 100mm VESA mounting brackets and supports monitor / accessories weighing up to 15 pounds.
- Provides 360° view in portrait or landscape, with built-in cable management.
- A Vertical Adjustment Mechanism (FSVAMBK) can be added to the arm to provide 9" of vertical adjustment. Finish is Silver with Black trim only. See page 6.3.

How to Specify

Step 1. Product Number

FSW1NM Slatwall Mount, 1 monitor, no arm

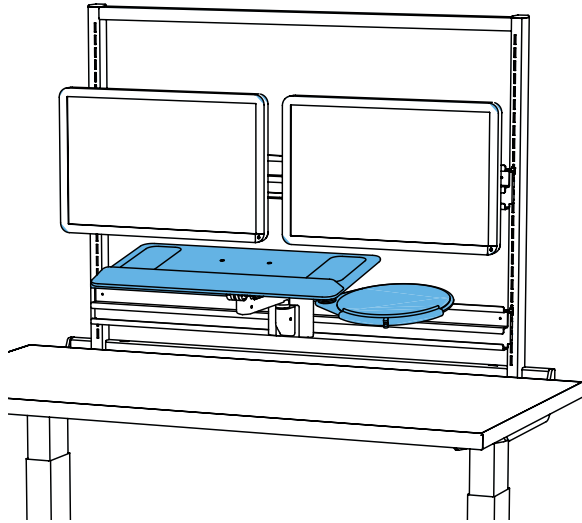
FSW1SM Slatwall Mount, 1 monitor, single arm

Step 2. Finish Color Code

BK Black
SG Silver with Grey Trim
WA Polished Aluminum with White Trim

Product Number	Description	Height		Width		Depth		Weight	
		in.	[mm]	in.	[mm]	in.	[mm]	lb.	[kg]
PSBR24	Slatwall / bin rail	3 ½	89	24	610	2	48	5	2.3
PSBR30	Slatwall / bin rail	3 ½	89	30	762	2	48	7	2.9
PSBR36	Slatwall / bin rail	3 ½	89	36	914	2	48	8	3.4
FSW1NM	Slatwall, 1 monitor, no arm	3 ¾	95			5	127	2	1.0
FSW1SM	Slatwall, 1 monitor, single arm	4 ¼	108			12	292	8	3.4

Rev 09.06.22



ARM MOUNT PLATFORM, KEYBOARD, MOUSE TRAY

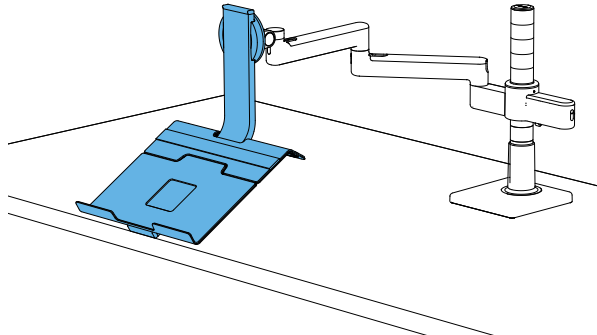
Arm Mount Platform can help save valuable space on a work surface and mounts to all Symbiote Monitor Arms. Load capacity is 15 pounds.

- Keyboard Tray measures 10⁵/₈" deep by 20¹/₈" wide and includes a black non-skid pad and removable foam wrist rest.
- Mouse Tray measures 9" round in diameter and can mount on the left or right side of Keyboard Tray. Includes a black non-skid pad and can swivel 270° allowing it to hide under the Keyboard Tray when not being used.
- Finish is Black.

How to Specify

Step 1. Product Number
FSKTBK

NOTEBOOK HOLDER



The Notebook Holder has an adjustable tray and supports notebooks up to 18" for a more ergonomic workspace.

- Attaches to any Monitor Arm, sold separately, (see page 6.3), for positioning at the optimum height and focal length.
- Viewing angle can be tilted up to 35° forward to reduce screen glare.
- Tray supports notebooks/accessories weighing up to 12 lbs.

How to Specify

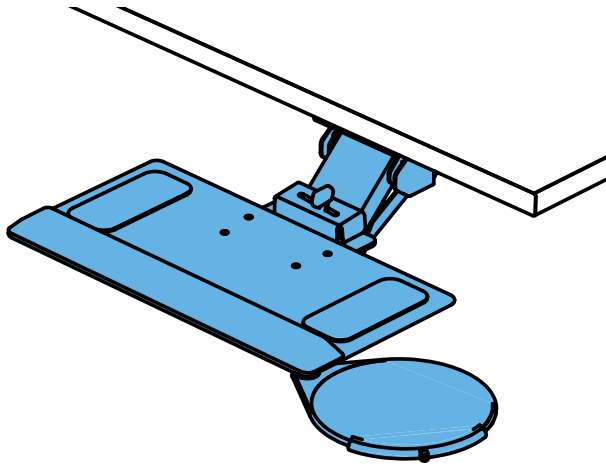
Step 1. Product Number
FSNB

Step 2. Finish Color Code
SG Silver
WA White

Product Number	Description	Width		Depth		Weight	
		in.	[mm]	in.	[mm]	lb.	[kg]
FSKTBK	Flat screen keyboard platform	20 1/8	511	14 3/4	375	6.5	2.9
FSNB	Notebook holder	14	356	11	279	5.0	2.0

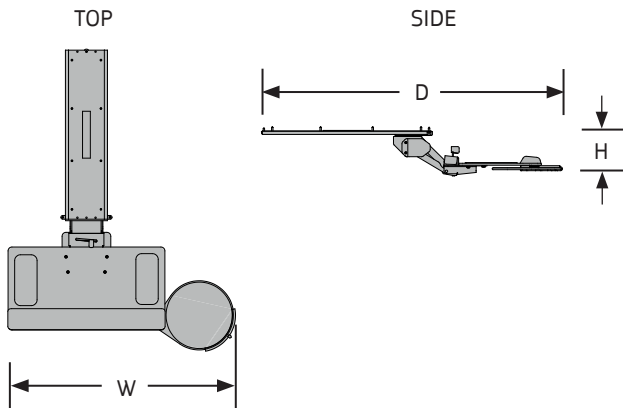
Rev 10.01.19

KEYBOARD WITH MOUSE TRAY, SURFACE MOUNT



The 10⁵/₈" deep by 20¹/₈" wide platform provides storage for keyboards beneath surfaces. Includes a black non-skid pad and a removable foam wrist rest that leaves 8" of usable tray depth when in place. Keyboard mechanisms adjust in height with a simple one-handed motion without the use of locks, levers or knobs. Unique angle adjustment levers allow users to simply adjust the angle by sliding the lever from left to right.

The included 9" diameter round Mouse Tray mounts on the left or right side of Keyboard Tray and swivels 360° to hide under the trays when not being used. Includes a black non-skid pad and movable stopper to protect the mouse from falling off the tray.



- Trays feature 4¹/₄" of spring assisted vertical travel and have a tilt adjustment range of 0 to -10°.
- Trays swivel 360° and sliding tracks provide 16" travel range allowing trays to retract under surfaces. In the forward most position, the front of the Keyboard Tray extends 14" from the front of the surface.
- Keyboard Tray only mounts under standard and corner work surfaces > 24" deep.
- Load capacity is 25 lbs.
- Finish is Black.

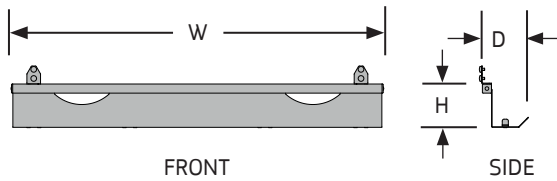
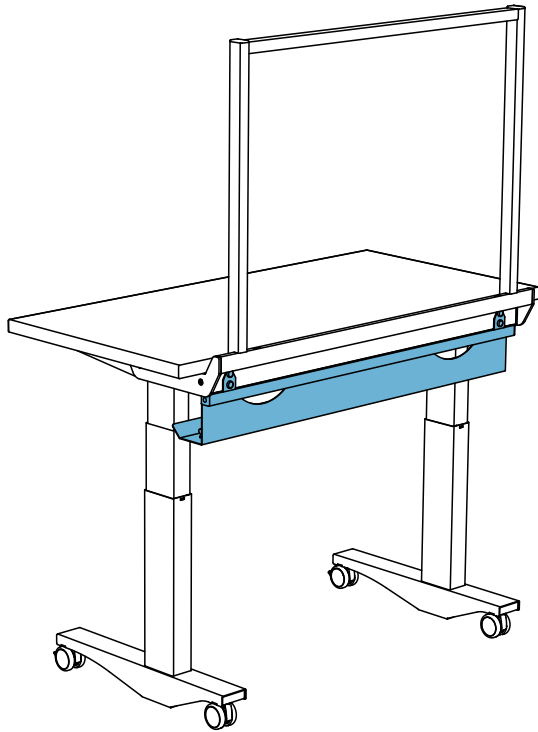
How to Specify

Step 1. Product Number

KTAMBK

Product Number	Description	Height		Width		Depth		Weight	
		in.	[mm]	in.	[mm]	in.	[mm]	lb.	[kg]
KTAMBK	Surface mount	4 ³ / ₄	121	29 ¹ / ₂	749	21 ³ / ₄	552	15	6.8

Rev 12.23.16



CABLE TRAY

Cable Trays organize your power and data cables neatly and efficiently under the work surface. Cords and devices move safely in unison while raising and lowering the adjustable ErgoStat Pro Base.

- The Cable Tray is made of high-quality steel and is powder coated.
- Attaches to the back of the Base with an aluminum rail using two mounting holes.
- Load capacity is 15 lbs.

How to Specify

Step 1. Product Number

PCTA

Step 2. Width

- 36 36" wide
- 42 42" wide
- 48 48" wide
- 60 60" wide
- 72 72" wide

Step 3. Paint Color Code

- AS Argent Silver
- AW Arctic White
- BK Black

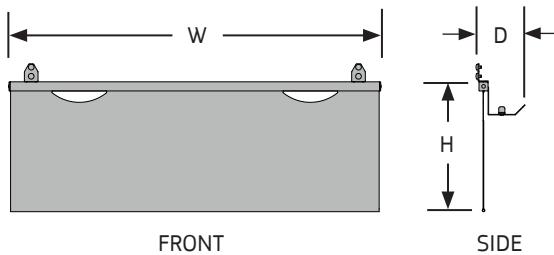
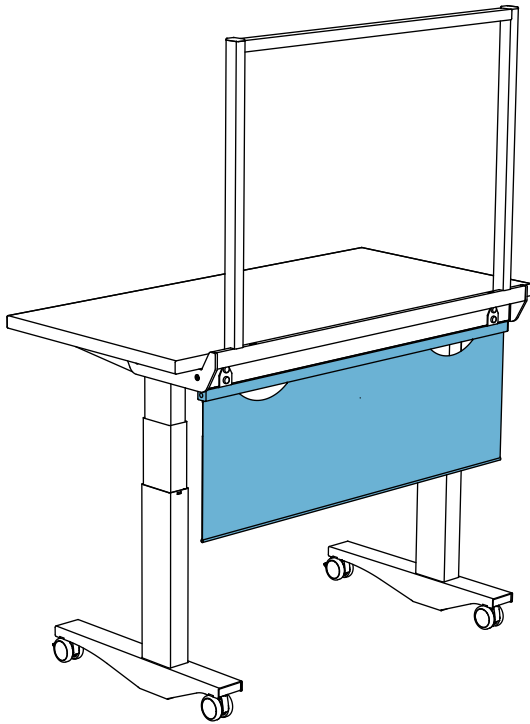
Product Number	Description	Height		Width		Depth		Weight	
		in.	[mm]	in.	[mm]	in.	[mm]	lb.	[kg]
PCTA36	36" base mount	4 ¾	121	29	737	5	127	6	2.7
PCTA42	42" base mount	4 ¾	121	35	889	5	127	7	3.2
PCTA48	48" base mount	4 ¾	121	41	1041	5	127	9	3.9
PCTA60	60" base mount	4 ¾	121	53	1346	5	127	11	5.0
PCTA72	72" base mount	4 ¾	121	65	1651	5	127	13	5.9

Rev 1.22.18

MODESTY PANEL

The Modesty Panel adds privacy and aesthetics to your workspace—a great solution for the open-concept office or lab area. Made of fabric, the Modesty Panel hangs from an aluminum rail from the underside of the ErgoStat Pro Base.

- Modesty Panels deliver better privacy in a sleek design with two inside sewn pockets to store unsightly cables.
- Included cable tray helps to organize power and data cables.



How to Specify

Step 1. Product Number

PMP

Step 2. Width

- 36** 36" wide
- 42** 42" wide
- 48** 48" wide
- 60** 60" wide
- 72** 72" wide

Step 3. Fabric Color Code

BLK Black

Step 4. Paint Color Code

- AS** Argent Silver
- AW** Arctic White
- BK** Black

Product Number	Description	Height		Width		Depth		Weight	
		in.	[mm]	in.	[mm]	in.	[mm]	lb.	[kg]
PMP36	36" base mount	14 ¼	362	29	737	5	127	4	1.8
PMP42	42" base mount	14 ¼	362	35	889	5	127	5	2.3
PMP48	48" base mount	14 ¼	362	41	1041	5	127	6	2.7
PMP60	60" base mount	14 ¼	362	53	1346	5	127	8	3.6
PMP72	72" base mount	14 ¼	362	65	1651	5	127	11	5.0

Rev 6.10.24

this page left
BLANK

SYMBIOTE