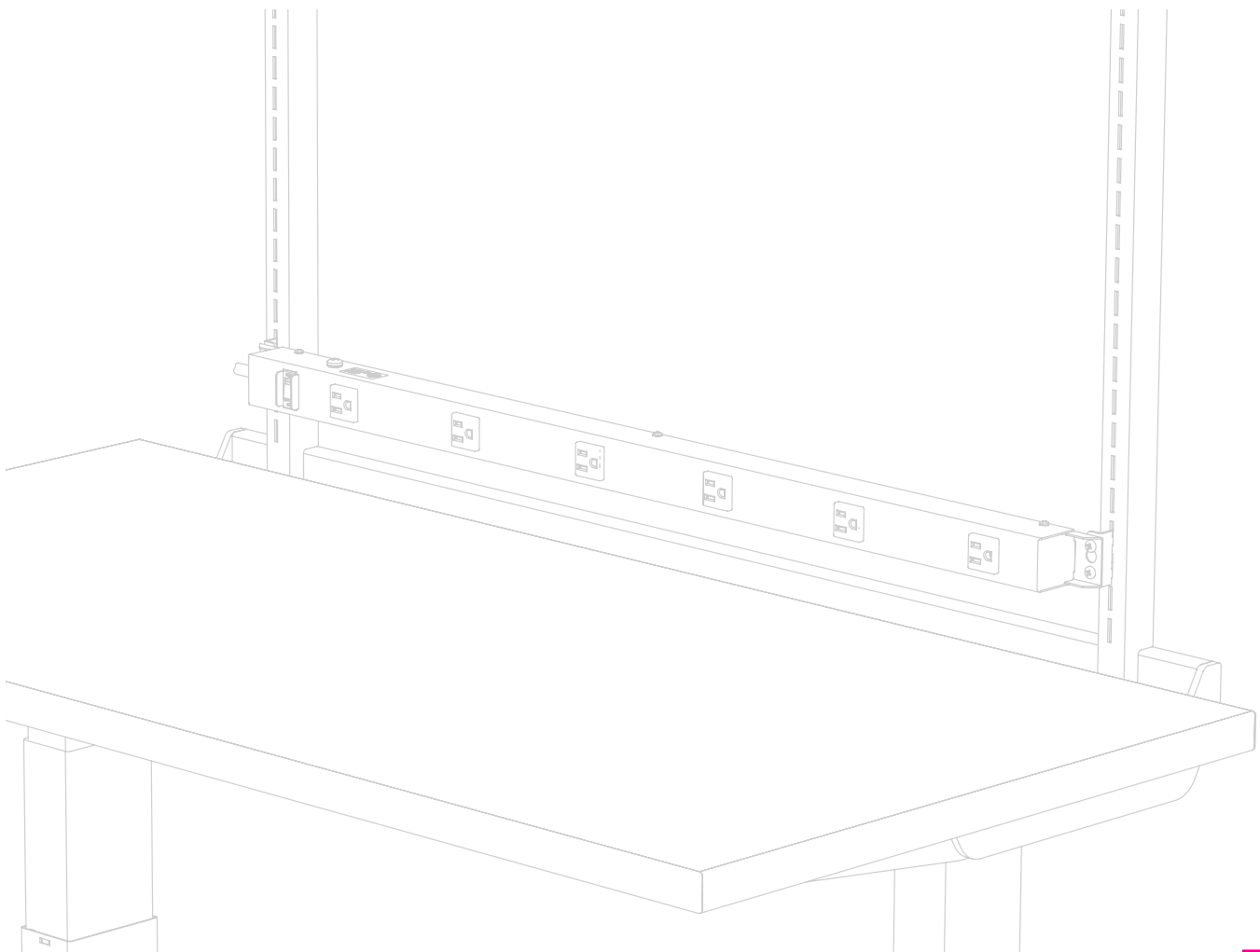
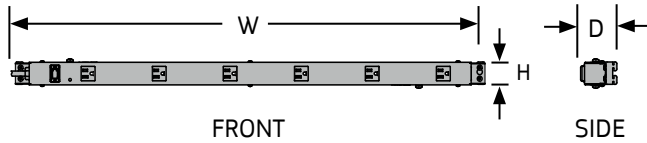
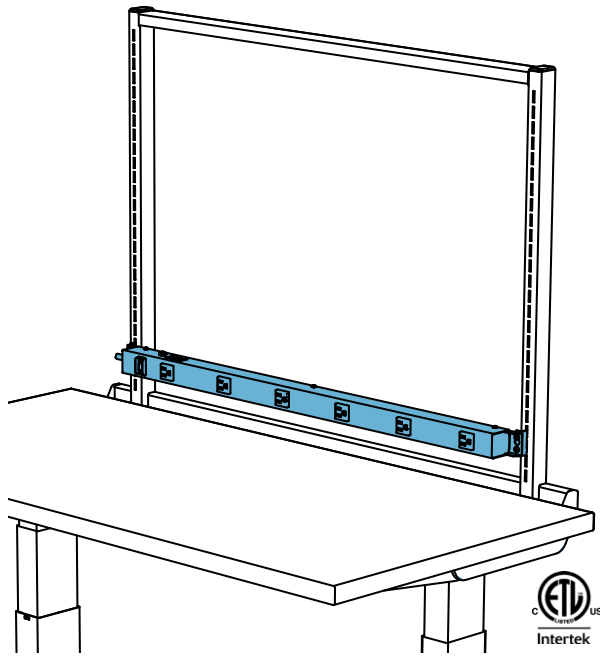


SECTION 5. ELECTRICAL

Electric Plug Strip.....5.2
High Output LED Lights.....5.3





ELECTRIC PLUG STRIP

Plug Strips provide single circuit, 15 Amp or 20 Amp, 110 Volt outlets where needed on ErgoStat Pro Riser Frames. Each strip includes NEMA configuration 5-15R/5-20R black simplex receptacles and a 5-15P/5-20P plug. Mount horizontally to frames on hanger clips. One threaded insert is located on each end for grounding of dissipative workstation components.

- Power cords exit the end of each Plug Strip where the switch is located.
- 20 Amp Plug Strips will not plug into 15 Amp Plug Strips.
- Plug Strips conform to ANSI/UL std.1363 and CSA C22.2.21.
- Includes a lighted, rocker-actuated circuit breaker with a built-in safety guard and an 8' power cord.

How to Specify

Step 1. Product Number

PEPS 15 Amp
PEP20 20 Amp

Step 2. Width

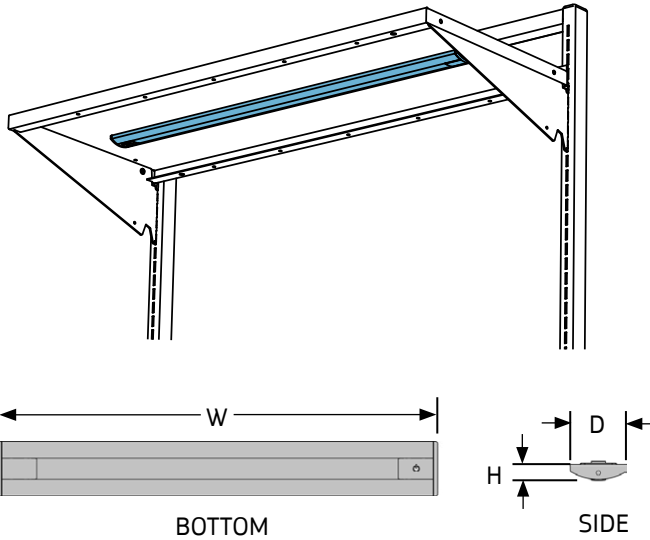
24	24" wide	48	48" wide
30	30" wide	60	60" wide
36	36" wide	72	72" wide

Step 3. Paint Color Code

AS	Argent Silver	GL	Grey Light
AW	Arctic White	NW	Neutral White
BK	Black		

Product Number	Description	Height		Width		Depth		Weight	
		in.	[mm]	in.	[mm]	in.	[mm]	lb.	[kg]
PEPS24	15 Amp, 4 outlets	2	[51]	24	610	2	[51]	3	1.0
PEPS30	15 Amp, 5 outlets	2	[51]	30	762	2	[51]	4	2.0
PEPS36	15 Amp, 6 outlets	2	[51]	36	914	2	[51]	5	2.0
PEPS48	15 Amp, 8 outlets	2	[51]	48	1219	2	[51]	6	3.0
PEPS60	15 Amp, 10 outlets	2	[51]	60	1524	2	[51]	7	3.0
PEPS72	15 Amp, 15 outlets	2	[51]	72	1524	2	[51]	9	3.0
PEP2024	20 Amp, 4 outlets	2	[51]	24	610	2	[51]	3	1.0
PEP2030	20 Amp, 5 outlets	2	[51]	30	762	2	[51]	4	2.0
PEP2036	20 Amp, 6 outlets	2	[51]	36	914	2	[51]	5	2.0
PEP2048	20 Amp, 8 outlets	2	[51]	48	1219	2	[51]	6	3.0
PEP2060	20 Amp, 10 outlets	2	[51]	60	1524	2	[51]	7	3.0
PEP2072	20 Amp, 15 outlets	2	[51]	72	1524	2	[51]	9	3.0

Rev 12.09.19



HIGH OUTPUT LED LIGHTS

LED Lights

High output LED lights provide high efficiency lighting for general tasks with a 3500K temperature, 84CRI and 50,000 hour life span. Lights have a touch-and-hold continuous dimming with 10 hour automatic shut off. ETL, TAA and BAA certified. Color is clear anodized aluminum housing with white end caps.

- Starter kits include one 60W Power Supply with 12' cord.
- Includes screw and pivoting magnetic mounting kit with adhesive cord managers.
- Adder kits include the light, (1) 8" and (1) 30" length jumper. Power supply not included.
- End-to-end connectors can be used between lights in place of a jumper. Additional jumpers sold separately.
- Recommended shelf size:
 17" LED Light - 24", 30" and 36"
 31" LED Light - 48" and larger
 44" LED Light - 60" and larger

Interconnected LED light fixtures must not exceed 60W. Layout combinations are as follows:

	17" LED	31" LED	44" LED	58" LED
QTY	QTY	QTY	QTY	QTY
4	0	0	0	0
3	0	0	0	0
2	1	0	0	0
1	1	0	0	0
1	0	1	0	0
0	2	0	0	0
0	0	1	0	0
0	0	0	0	1

Occupancy Sensor

Passive infrared (PIR) integrated occupancy sensor automatically turns off all interconnected fixtures after 30 minutes of no movement detection.

How to Specify

Step 1. Product Number

Product Number	Description	Lumens	Wattage	Height in. [mm]	Width in. [mm]	Depth in. [mm]	Weight lb. [kg]
LEDHS17SVW	Starter unit	744	12.8	½ 13	16 ½ 419	2 51	1 ¼ 0.6
LEDHS31SVW	Starter unit	1590	28.4	½ 13	30 ⅞ 765	2 51	1 ¾ 0.8
LEDHS44SVW	Starter unit	2290	42.5	½ 13	43 ¾ 1111	2 51	2 ¼ 1.0
LEDHA17SVW	Adder unit	744	10.9	½ 13	16 ½ 419	2 51	1 ¼ 0.6
LEDHA31SVW	Adder unit	1590	23.4	½ 13	30 ⅞ 765	2 51	1 ¾ 0.8
LEDHA44SVW	Adder unit	2290	34.3	½ 13	43 ¾ 1111	2 51	2 ¼ 1.0
LEDMS	Motion sensor			½ 13	2 51	2 51	1 0.5
LEDEC	End-to-end connector			½ 13	2 51	2 51	¼ 0.1
LEDP60	60 watt power supply			1 ¼ 32	4 ½ 114	2 51	1 0.5
LEDJ08	8" jumper (interconnect cord)			½ 13	8 203	2 51	¼ 0.1
LEDJ30	30" jumper (interconnect cord)			½ 13	30 762	2 51	¼ 0.1
LEDJ54	54" jumper (interconnect cord)			½ 13	54 1372	2 51	¼ 0.1

Rev 12.23.16

