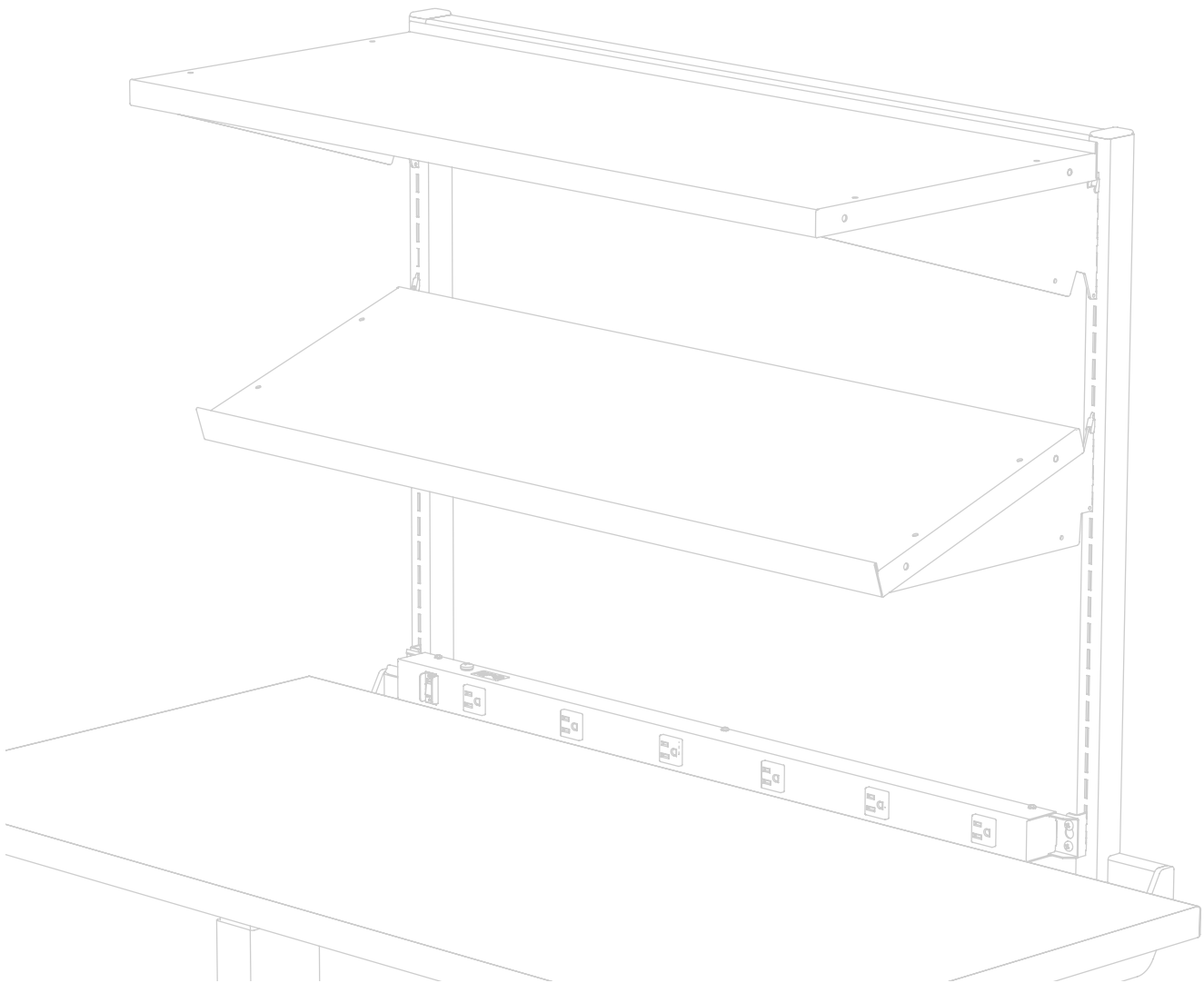
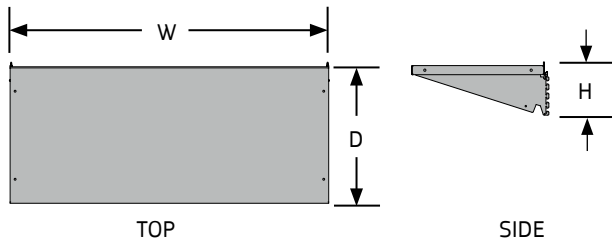
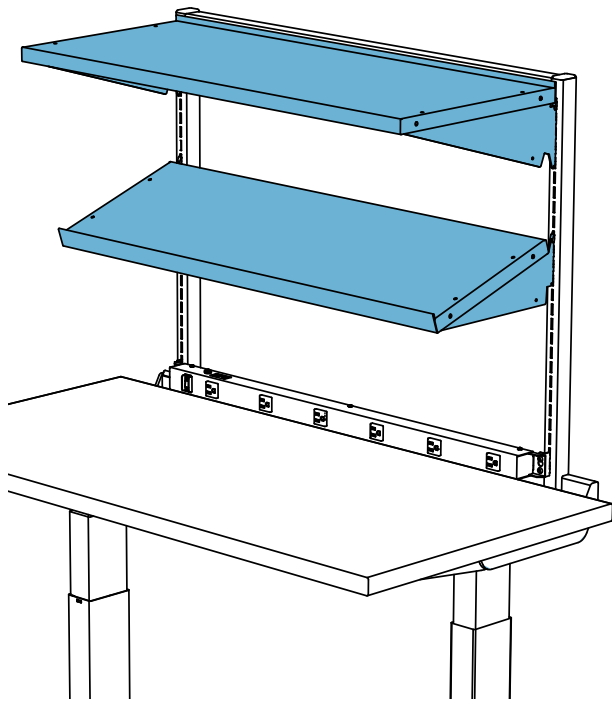


SECTION 4. SHELVING

Multi-Function Shelf	4.2
Bookend Shelf	4.3
Display Shelf	4.4
Shelf Add-on Lip	4.5
Lower Shelf	4.6
4-Legged Table Lower Shelf	4.7





MULTI-FUNCTION SHELF

Shelves provide general storage in ErgoStat Pro workstations. Assemblies include two steel support brackets and one shelf with a ½" raised edge that can be positioned in the front or back. Shelves mount flat or in the sloped position.

- Load capacity is 100 lbs. evenly distributed.
- Included anti-disengagement clips help secure the component in the Riser Frame.
- Shelf Add-on Lip sold separately. See page 4.5.

How to Specify

Step 1. Product Number

PMFS

Step 2. Depth

11 11" deep

15 15" deep

Step 3. Width

24 24" wide **48** 48" wide

30 30" wide **60** 60" wide

36 36" wide **72** 72" wide

Step 4. Paint Color Code

AS Argent Silver

AW Arctic White

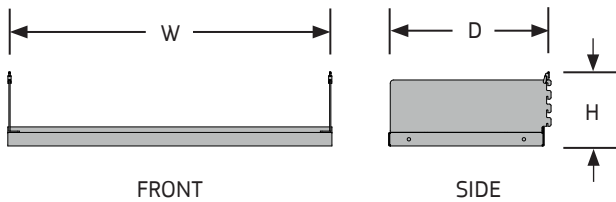
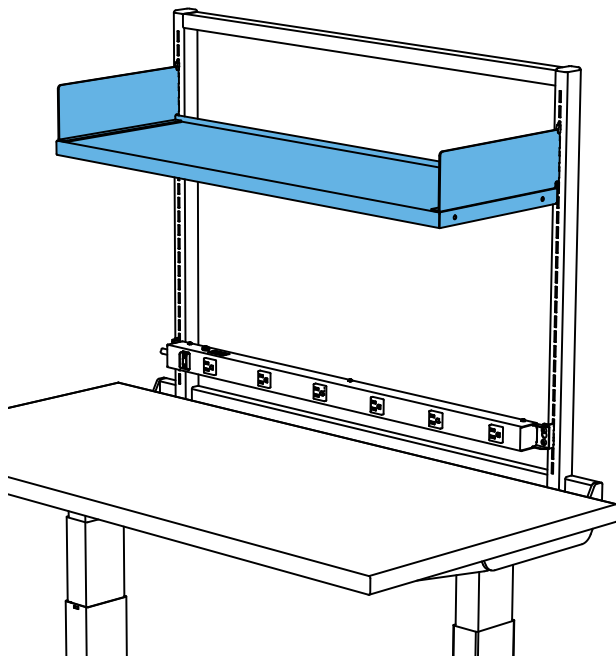
BK Black

GL Grey Light

NW Neutral White

Product Number	Description	Height		Width		Depth		Weight	
		in.	[mm]	in.	[mm]	in.	[mm]	lb.	[kg]
PMFS1124	Multi-function shelf	5 ½	140	24	610	11 ½	292	15	6.8
PMFS1130	Multi-function shelf	5 ½	140	30	762	11 ½	292	17	7.7
PMFS1136	Multi-function shelf	5 ½	140	36	914	11 ½	292	19	8.6
PMFS1148	Multi-function shelf	5 ½	140	48	1219	11 ½	292	21	9.5
PMFS1160	Multi-function shelf	5 ½	140	60	1524	11 ½	292	25	11.3
PMFS1172	Multi-function shelf	5 ½	140	72	1829	11 ½	292	28	12.7
PMFS1524	Multi-function shelf	6 ½	165	24	610	15	381	17	7.7
PMFS1530	Multi-function shelf	6 ½	165	30	762	15	381	20	9.1
PMFS1536	Multi-function shelf	6 ½	165	36	914	15	381	23	10.4
PMFS1548	Multi-function shelf	6 ½	165	48	1219	15	381	27	12.2
PMFS1560	Multi-function shelf	6 ½	165	60	1524	15	381	32	14.5
PMFS1572	Multi-function shelf	6 ½	165	72	1829	15	381	36	16.3

Rev 10.28.19



BOOKEND SHELF

Bookend shelves mount in the ErgoStat Pro Riser Frame providing general storage. Shelf can be oriented with the ½" raised edge facing toward the front or back of the workstation.

- Load capacity is 100 lbs. evenly distributed.
- Included anti-disengagement clips help secure the component in the Riser Frame.
- Shelf Add-on Lip sold separately. See page 4.5.

How to Specify

Step 1. Product Number

PBES

Step 2. Depth

11 11" deep

15 15" deep

Step 3. Width

24 24" wide **48** 48" wide

30 30" wide **60** 60" wide

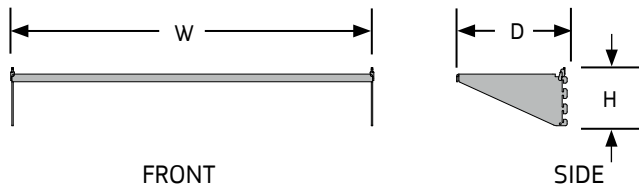
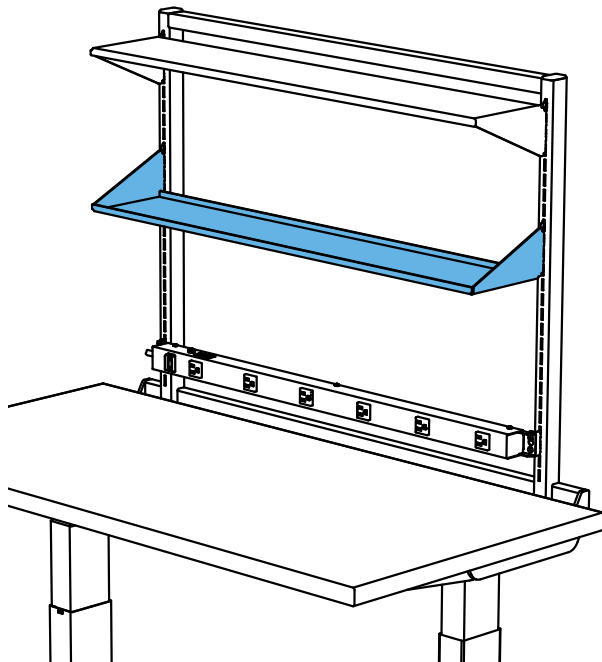
36 36" wide **72** 72" wide

Step 4. Paint Color Code

- AS** Argent Silver
- AW** Arctic White
- BK** Black
- GL** Grey Light
- NW** Neutral White

Product Number	Description	Height		Width		Depth		Weight	
		in.	[mm]	in.	[mm]	in.	[mm]	lb.	[kg]
PBES1124	Bookend shelf	4 7/8	124	24	608	11 1/2	292	10	4.3
PBES1130	Bookend shelf	4 7/8	124	30	762	11 1/2	292	11	5.0
PBES1136	Bookend shelf	4 7/8	124	36	914	11 1/2	292	13	5.7
PBES1148	Bookend shelf	4 7/8	124	48	1219	11 1/2	292	16	7.3
PBES1160	Bookend shelf	4 7/8	124	60	1524	11 1/2	292	19	8.4
PBES1172	Bookend shelf	4 7/8	124	72	1829	11 1/2	292	22	10.0
PBES1524	Bookend shelf	5 7/8	149	24	610	15	381	13	5.7
PBES1530	Bookend shelf	5 7/8	149	30	762	15	381	15	6.6
PBES1536	Bookend shelf	5 7/8	149	36	914	15	381	17	7.5
PBES1548	Bookend shelf	5 7/8	149	48	1219	15	381	20	9.2
PBES1560	Bookend shelf	5 7/8	149	60	1524	15	381	24	11.0
PBES1572	Bookend shelf	5 7/8	149	72	1829	15	381	28	12.7

Rev 10.28.19



DISPLAY SHELF

Display shelves mount to the ErgoStat Pro Riser Frame and provide light duty storage for workstations. The one-piece steel shelf assembly has a front and back ½" lip to secure contents. Shelf is reversible and can be oriented with supports below surface of shelf (top image), or with supports mounted upwards (bottom image) to provide side supports to secure contents.

- Load capacity is 40 lbs. evenly distributed.
- Included anti-dislodgement clips help secure the component in the Riser Frame.

How to Specify

Step 1. Product Number

PDS

Step 2. Width

24 24" wide

30 30" wide

36 36" wide

Step 3. Paint Color Code

AS Argent Silver

AW Arctic White

BK Black

GL Grey Light

NW Neutral White

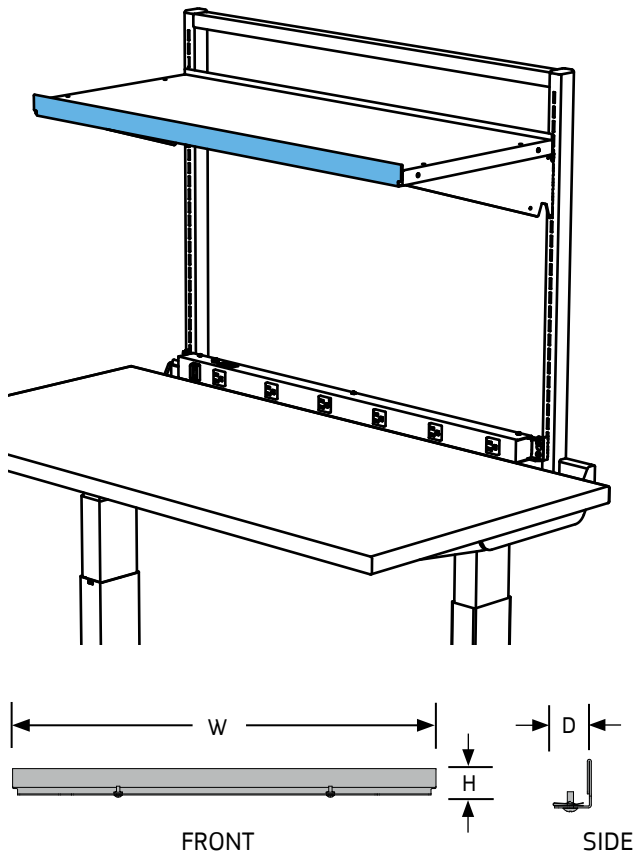
Product Number	Description	Height		Width		Depth		Weight	
		in.	[mm]	in.	[mm]	in.	[mm]	lb.	[kg]
PDS24	Display shelf	3 ½	89	23 ¾	603	6 ½	165	5	2.0
PDS30	Display shelf	3 ½	89	29 ¾	756	6 ½	165	6	3.0
PDS36	Display shelf	3 ½	89	35 ¾	908	6 ½	165	7	3.0

Rev 12.27.16

SHELF ADD-ON LIP

Shelf add-on lip mounts to the front of Multi-Function and Bookend Shelves on workstations. The one-piece steel assembly provides a lip to secure contents.

- Multi-Function Shelf and Bookend Shelf are sold separately. See pages 4.2 and 4.3.



How to Specify

Step 1. Product Number

MFSL

Step 2. Width

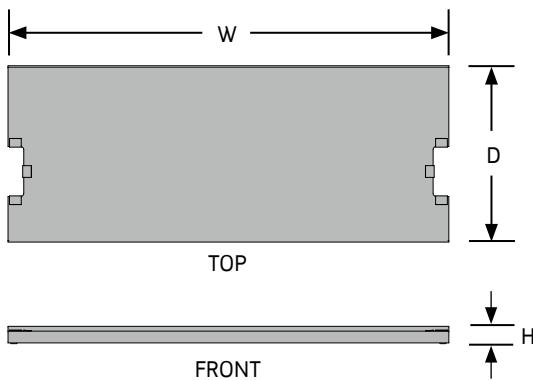
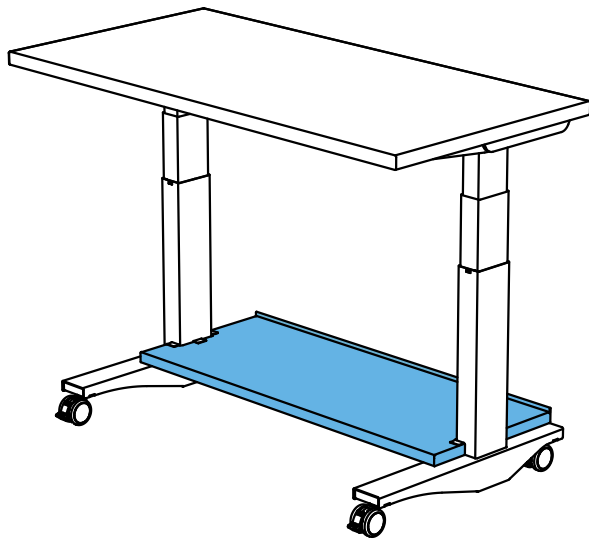
24	24" wide	48	48" wide
30	30" wide	60	60" wide
36	36" wide		

Step 3. Paint Color Code

- AS Argent Silver
- AW Arctic White
- BK Black
- GL Grey Light
- NW Neutral White

Product Number	Description	Height		Width		Depth		Weight	
		in.	[mm]	in.	[mm]	in.	[mm]	lb.	[kg]
MFSL24	Shelf add-on lip	1 ½	38	24	610	1	29	2	1.0
MFSL30	Shelf add-on lip	1 ½	38	30	762	1	29	2	1.0
MFSL36	Shelf add-on lip	1 ½	38	36	914	1	29	3	1.0
MFSL48	Shelf add-on lip	1 ½	38	48	1219	1	29	3	1.0
MFSL60	Shelf add-on lip	1 ½	38	60	1524	1	29	4	2.0

Rev 01/12/17



LOWER SHELF

Lower shelf provides general storage below the ErgoStat Pro work surface. It has a ½" raised edge on the back to keep items from sliding off the back of the shelf. Installs easily without hardware or tools.

- Mounts to glide or caster bases.
- Load capacity is 100 lbs. evenly distributed.

How to Specify

Step 1. Product Number

PLES

Step 2. Width

- 36** 36" wide
- 42** 42" wide
- 48** 48" wide
- 60** 60" wide
- 72** 72" wide

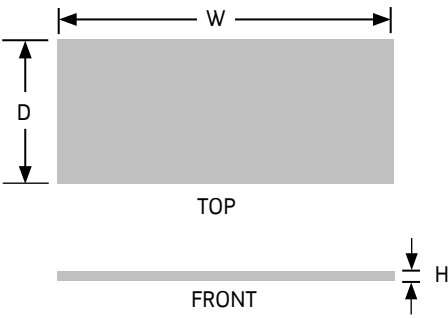
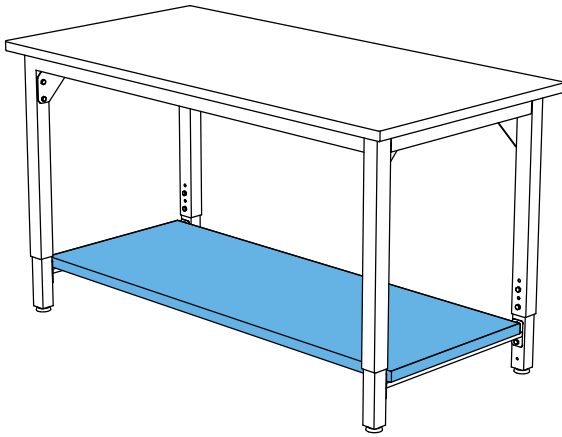
Step 3. Paint Color Code

- AS** Argent Silver
- AW** Arctic White
- BK** Black
- GL** Grey Light
- NW** Neutral White

Product Number	Description	Height		Width		Depth		Weight	
		in.	[mm]	in.	[mm]	in.	[mm]	lb.	[kg]
PLES36	36" base mount	1 ½	38	26	648	15	381	9	4.1
PLES42	42" base mount	1 ½	38	32	800	15	381	11	5.0
PLES48	48" base mount	1 ½	38	38	953	15	381	13	5.9
PLES60	60" base mount	1 ½	38	50	1257	15	381	17	7.5
PLES72	72" base mount	1 ½	38	62	1562	15	381	21	9.5

Rev 12.27.16

4-LEGGED TABLE LOWER SHELF



Lower Shelves provide general storage below the surface of 4-Legged Table bases. Available in full or half depth sizes, laminate shelves have square corners with matching edge band. Shelves attach to 4-Legged Table support bars with hook and loop strips.

- Mounts to glide or caster bases.
- Full size shelf load capacity is 200 lbs. evenly distributed.
- Half size shelf load capacity is 100 lbs. evenly distributed.
- Half size unavailable for 24" deep 4-Legged Tables.

How to Specify

Step 1. Product Number

- FLSLH** Half Depth
- FLSLF** Full Depth

Step 2. Depth

- 24** 24" deep Full Depth only
- 30** 30" deep Half and Full Depth
- 36** 36" deep Half and Full Depth

Step 3. Width

- 48** 48" wide **60** 60" wide **72** 72" wide

Step 4. Laminate Color Code

Standard		Premium (consult factory)	
BK Black	AH Ash Grey	LP Neutral Oak Ply	
GL Grey Light	AW Arctic White	MG Mocha Grain	
NW Neutral White	CG Chai Grain	PZ Puzzle	
	DF Driftwood	SP Silver Oak Ply	
	EG Espresso Grain	WW Weathered Wood	

Step 5. Edgeband Color Code

- AW** Arctic White **GL** Grey Light
- AS** Argent Silver **NW** Neutral White
- BK** Black **SH** Shadow
- BR** Brown

Product Number	Description	Height		Width		Depth		Weight	
		in.	[mm]	in.	[mm]	in.	[mm]	lb.	[kg]
FLSLH3048	Lower shelf, half depth	1 ¼	32	44	1118	11	279	19	8.6
FLSLH3060	Lower shelf, half depth	1 ¼	32	56	1422	11	279	23	10.4
FLSLH3072	Lower shelf, half depth	1 ¼	32	68	1727	11	279	27	12.2
FLSLH3648	Lower shelf, half depth	1 ¼	32	44	1118	14	356	23	10.4
FLSLH3660	Lower shelf, half depth	1 ¼	32	56	1422	14	356	29	13.2
FLSLH3672	Lower shelf, half depth	1 ¼	32	68	1727	14	356	36	16.3

Cont'd

4-LEGGED TABLE LOWER SHELF (Cont'd)

Product Number	Description	Height		Width		Depth		Weight	
		in.	[mm]	in.	[mm]	in.	[mm]	lb.	[kg]
FLSLF2448	Lower shelf, full depth	1 ¼	32	44	1118	16	406	26	11.8
FLSLF2460	Lower shelf, full depth	1 ¼	32	56	1422	16	406	34	15.4
FLSLF2472	Lower shelf, full depth	1 ¼	32	68	1727	16	406	40	18.1
FLSLF3048	Lower shelf, full depth	1 ¼	32	44	1118	22	559	38	17.2
FLSLF3060	Lower shelf, full depth	1 ¼	32	56	1422	22	559	46	20.9
FLSLF3072	Lower shelf, full depth	1 ¼	32	68	1727	22	559	54	24.5
FLSLF3648	Lower shelf, full depth	1 ¼	32	44	1118	28	711	46	20.9
FLSLF3660	Lower shelf, full depth	1 ¼	32	56	1422	28	711	58	26.3
FLSLF3672	Lower shelf, full depth	1 ¼	32	68	1727	28	711	72	32.7

Rev 03/11/19