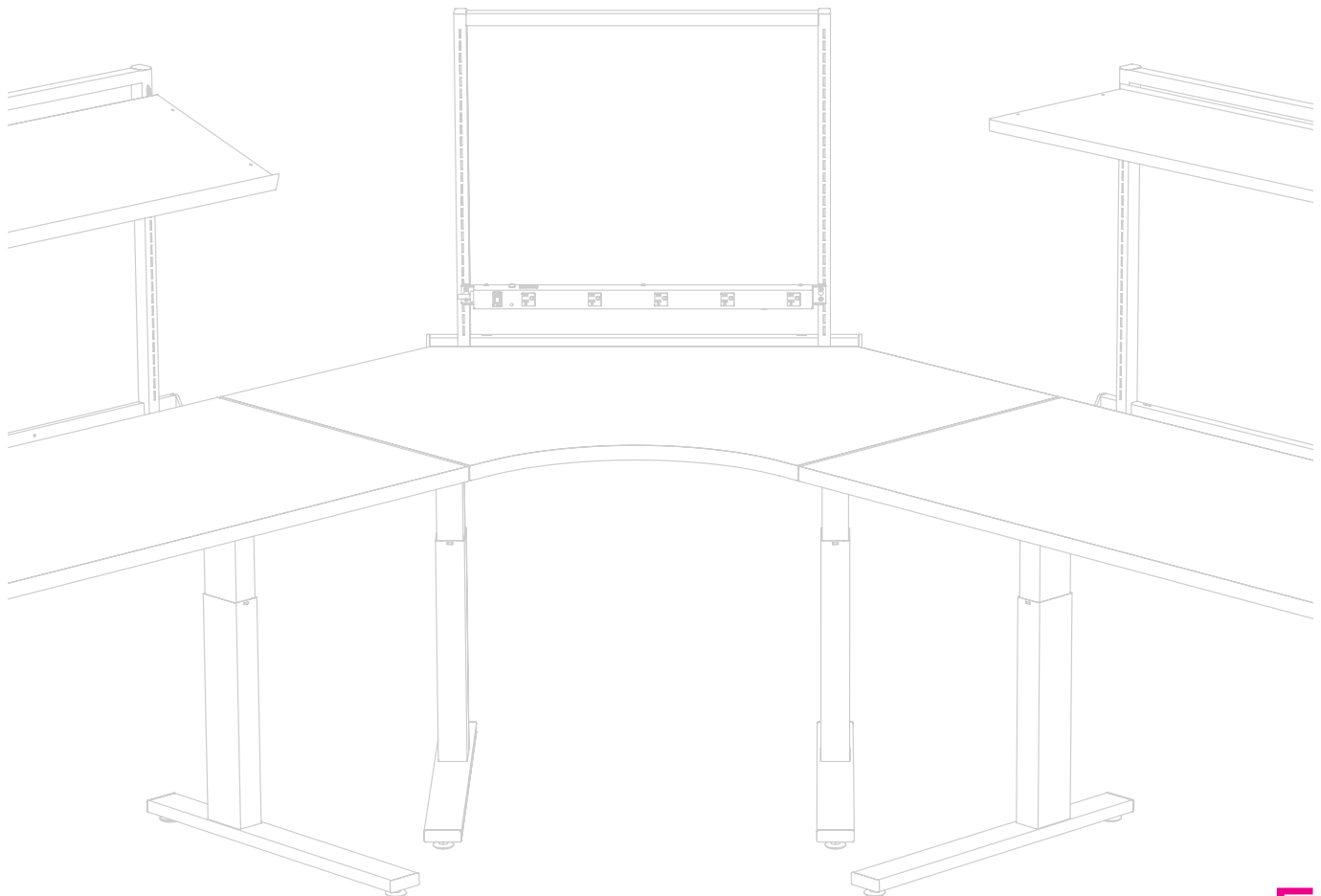
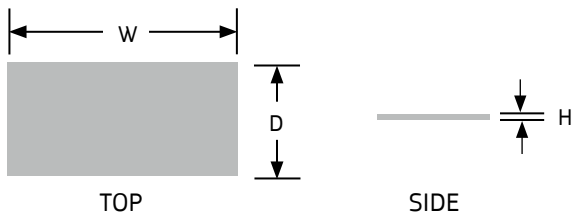
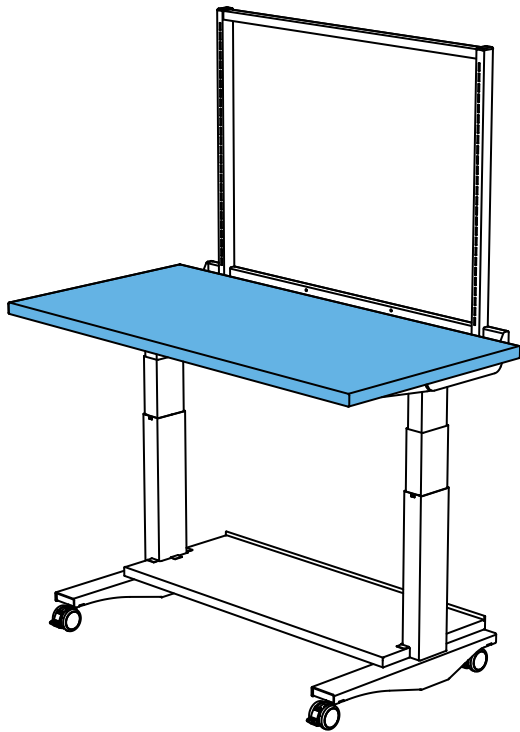


SECTION 3. WORK SURFACES

Standard Work Surface.....3.2  
Corner Work Surface.....3.3  
Hardwood Work Surface.....3.4  
Auxiliary Work Surface.....3.5





**STANDARD WORK SURFACE**

The 1¼" high laminate work surfaces mount to the ErgoStat Pro base. Surfaces have square corners with a 3mm edge band.

- Load capacity is 300 lbs. evenly distributed.
- Riser Frames cannot be used with 36" deep work surfaces.

**How to Specify**

Step 1. Product Number

**PSLS**

Step 2. Depth

**24** 24" deep    **30** 30" deep    **36** 36" deep

Step 3. Width

**36** 36" wide    **48** 48" wide  
**60** 60" wide    **72** 72" wide

Step 4. Laminate Color Code

**Standard**

**BK** Black  
**GL** Grey Light  
**NW** Neutral White

**Premium (consult factory)**

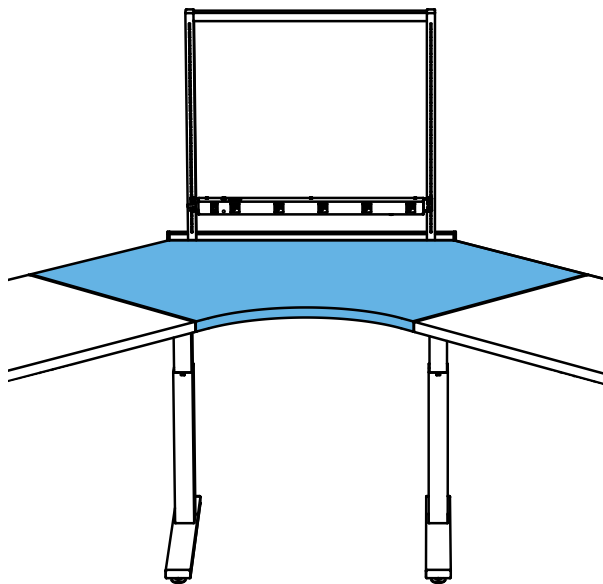
**AH** Ash Grey    **LP** Neutral Oak Ply  
**AW** Arctic White    **MG** Mocha Grain  
**CG** Chai Grain    **PZ** Puzzle  
**DF** Driftwood    **SP** Silver Oak Ply  
**EG** Espresso Grain    **WW** Weathered Wood

Step 5. Edgeband Color Code

**AW** Arctic White    **GL** Grey Light  
**AS** Argent Silver    **NW** Neutral White  
**BK** Black    **SH** Shadow  
**BR** Brown

Product Number	Description	Height		Width		Depth		Weight	
		in.	[mm]	in.	[mm]	in.	[mm]	lb.	[kg]
PSLS2436	Standard laminate, square edge	1 ¼	32	36	914	24	610	29	13.2
PSLS2448	Standard laminate, square edge	1 ¼	32	48	1219	24	610	36	16.3
PSLS2460	Standard laminate, square edge	1 ¼	32	60	1524	24	610	45	20.4
PSLS2472	Standard laminate, square edge	1 ¼	32	72	1829	24	610	54	24.5
PSLS3036	Standard laminate, square edge	1 ¼	32	36	914	30	762	36	16.3
PSLS3048	Standard laminate, square edge	1 ¼	32	48	1219	30	762	45	20.4
PSLS3060	Standard laminate, square edge	1 ¼	32	60	1524	30	762	56	25.4
PSLS3072	Standard laminate, square edge	1 ¼	32	72	1829	30	762	67	30.4
PSLS3636	Standard laminate, square edge	1 ¼	32	36	914	36	914	43	19.5
PSLS3648	Standard laminate, square edge	1 ¼	32	48	1219	36	914	54	24.5
PSLS3660	Standard laminate, square edge	1 ¼	32	60	1524	36	914	67	30.4
PSLS3672	Standard laminate, square edge	1 ¼	32	72	1829	36	914	80	36.3

Rev 10.01.18



**CORNER WORK SURFACE**

The 1¼" high laminated corner work surfaces mount to the ErgoStat Pro base. Surfaces have square corners with a 3mm edge band.

- Load capacity is 200 lbs. evenly distributed.
- Riser Frames cannot be used with 36" deep work surfaces.

**How to Specify**

Step 1. Product Number

**PSCLS**

Step 2. Depth

- 24 24" deep
- 30 30" deep
- 36 36" deep

Step 3. Width

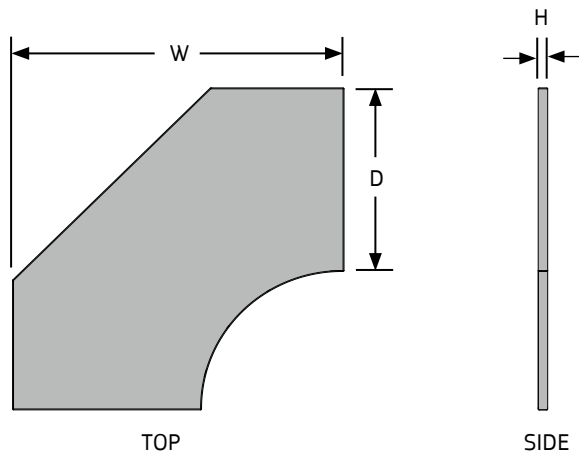
- 42 42" wide
- 48 48" wide

Step 4. Laminate Color Code

<b>Standard</b>	<b>Premium (consult factory)</b>	
BK Black	AH Ash Grey	LP Neutral Oak Ply
GL Grey Light	AW Arctic White	MG Mocha Grain
NW Neutral White	CG Chai Grain	PZ Puzzle
	DF Driftwood	SP Silver Oak Ply
	EG Espresso Grain	WW Weathered Wood

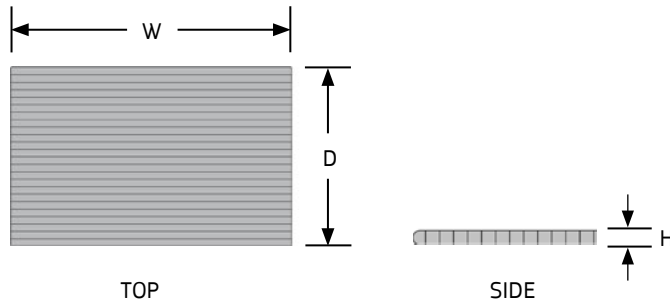
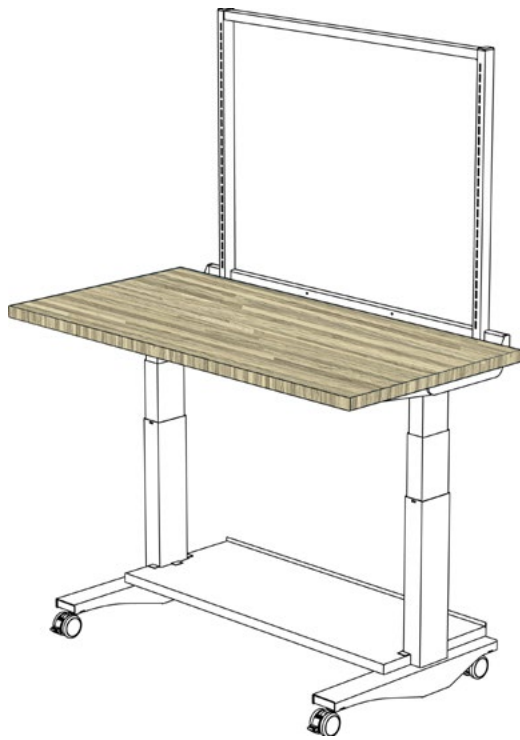
Step 5. Edgeband Color Code

AW Arctic White	GL Grey Light
AS Argent Silver	NW Neutral White
BK Black	SH Shadow
BR Brown	



Product Number	Description	Height		Width		Depth		Weight	
		in.	[mm]	in.	[mm]	in.	[mm]	lb.	[kg]
PSCLS2442	Standard laminate, square edge	1 ¼	32	42	1067	24	610	54	24.5
PSCLS2448	Standard laminate, square edge	1 ¼	32	48	1219	24	610	60	20.4
PSCLS3042	Standard laminate, square edge	1 ¼	32	42	1067	30	762	53	29.5
PSCLS3048	Standard laminate, square edge	1 ¼	32	48	1219	30	762	65	24.0
PSCLS3648	Standard laminate, square edge	1 ¼	32	48	1219	36	914	72	32.7

Rev 10.25.24



### HARDWOOD WORK SURFACE

The 1 3/4" high hardwood surfaces mount to the ErgoStat Pro base. Surfaces consist of kiln-dried hardwood strips face glued, sanded smooth and finished with a two coat catalyzed varnish. Surfaces have a square-edged front, back and sides.

- Load capacity is 500 lbs. evenly distributed.
- Riser Frames cannot be used with 36" deep surfaces.

#### How to Specify

Step 1. Product Number

**SHS**

Step 2. Depth

**30** 30" deep

**36** 36" deep

Step 3. Width

**36** 48" wide

**48** 48" wide

**60** 60" wide

**72** 72" wide

Product Number	Description	Height		Width		Depth		Weight	
		in.	[mm]	in.	[mm]	in.	[mm]	lb.	[kg]
SHS3036CC	Hardwood, 1 3/4"	1 3/4	32	36	914	30	762	53	24.0
SHS3048CC	Hardwood, 1 3/4"	1 3/4	32	48	1219	30	762	70	31.8
SHS3060CC	Hardwood, 1 3/4"	1 3/4	32	60	1524	30	762	88	39.9
SHS3072CC	Hardwood, 1 3/4"	1 3/4	32	72	1829	30	762	105	47.6
SHS3636CC	Hardwood, 1 3/4"	1 3/4	32	36	914	36	914	63	28.6
SHS3648CC	Hardwood, 1 3/4"	1 3/4	32	48	1219	36	914	84	38.1
SHS3660CC	Hardwood, 1 3/4"	1 3/4	32	60	1524	36	914	105	47.6
SHS3672CC	Hardwood, 1 3/4"	1 3/4	32	72	1829	36	914	126	57.2

Rev 9.6.22

**AUXILIARY WORK SURFACE**

Steel platform and housing mounts under surfaces to provide an additional work space. Features 18" full-extension ball-bearing slides with in and out detent.

- Load capacity is 35 pounds evenly distributed.
- Auxiliary Work Surface only mounts under standard and corner work surfaces > 24" deep.

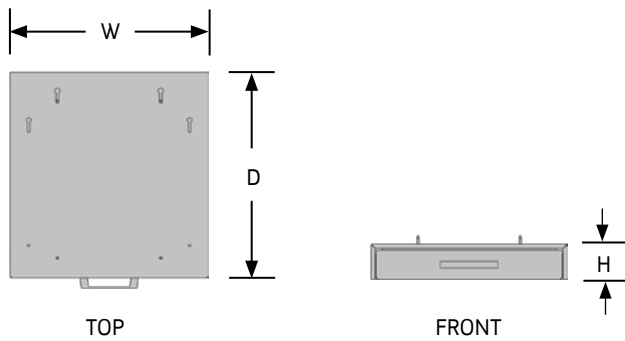
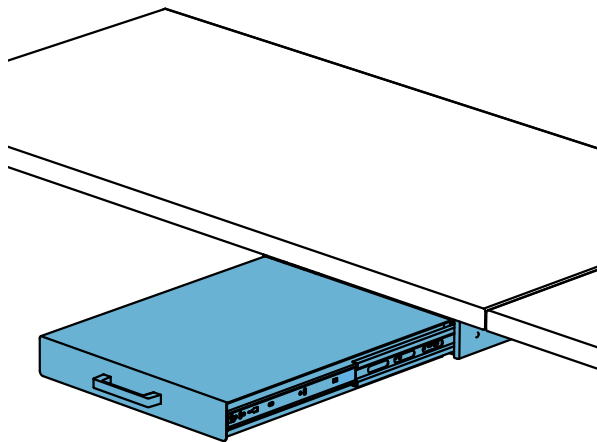
**How to Specify**

Step 1. Product Number

**AWS1518**

Step 2. Paint Color Code

- AS** Argent Silver
- AW** Arctic White
- BK** Black
- GL** Grey Light
- NW** Neutral White



Product Number	Description	Height		Width		Depth		Weight	
		in.	[mm]	in.	[mm]	in.	[mm]	lb.	[kg]
AWS1518	Auxiliary work surface	2 5/8	67	15	381	18	457	16	7.0

Rev 12.21.16

this page left  
**BLANK**

**SYMBIOTE**