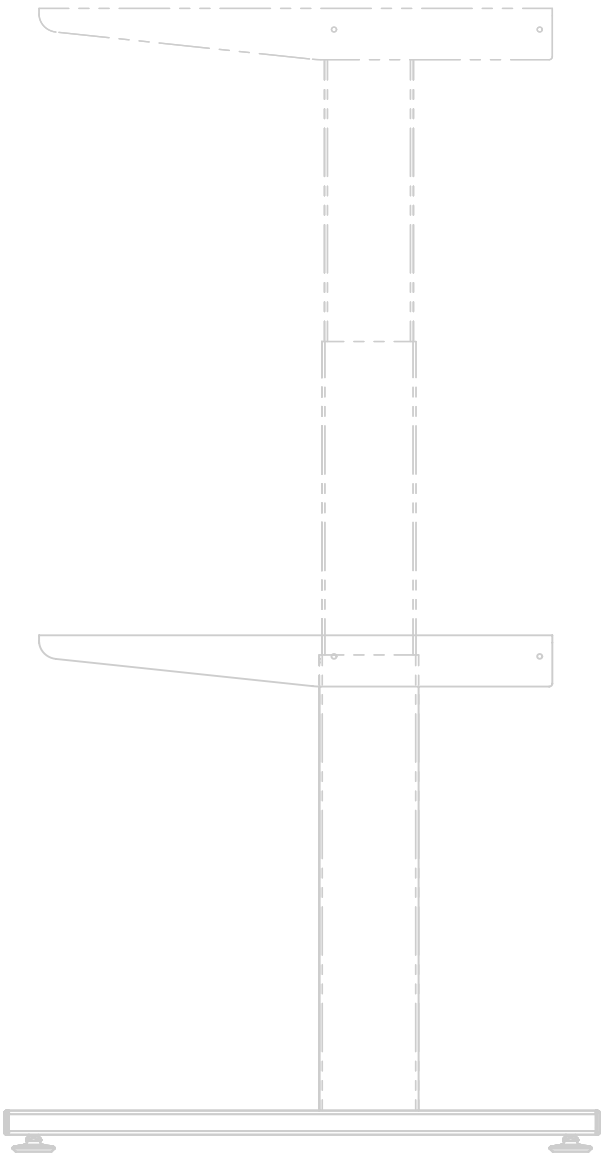
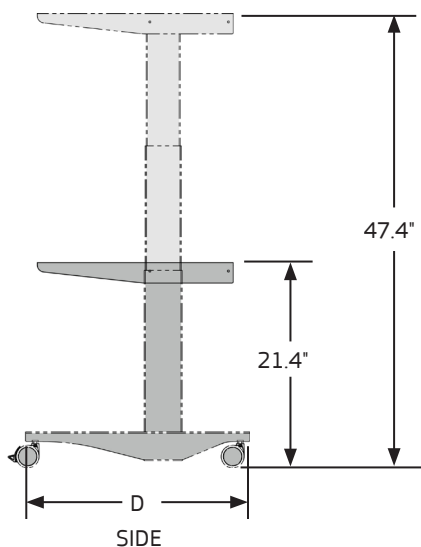
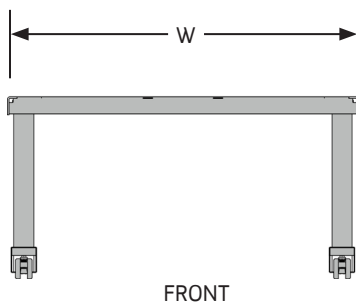
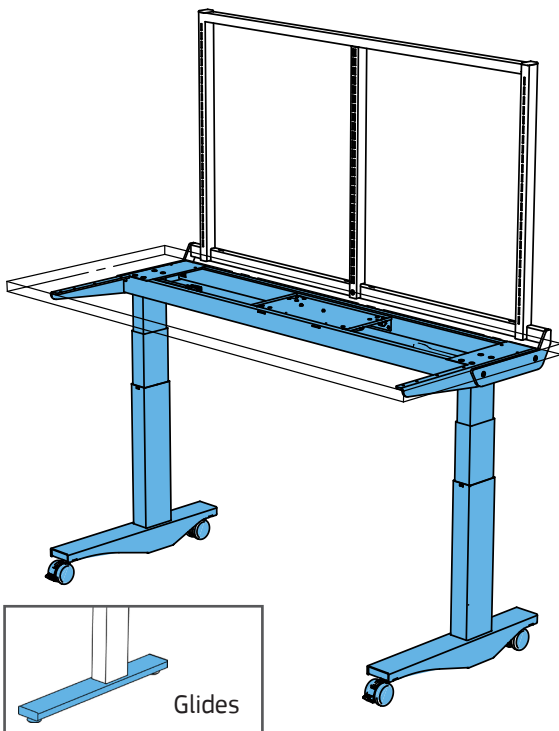


SECTION 2. BASE AND RISER FRAME

Ergostat Pro Electric Base2.2
ErgoStat Pro Riser Frame2.4
4-Legged Table, Glides2.5
4-Legged Table, Casters2.7
4-Legged Table Riser Frame2.9
WorkTable Pro Electric Base 2.10
Touch Up Paint 2.12





ERGOSTAT PRO ELECTRIC BASE

Available in widths up to 72 inches, the ErgoStat Pro electric base has built-in anti-collision technology with a dynamic load capacity of 250 pounds evenly distributed. The base rises 1½" per second and has an approved UL962 drive system with a 10% duty cycle. Meets BIFMA X5.5-2014 with work surface and Riser Frame. Includes a 9½' power cord and a standard hand control switch. Ships knocked down.

To build a workstation add a Riser Frame and work surface, both sold separately. Riser Frame attaches to the base, adding upright support for hanging components. Available with casters or glides.

- Travel range 26 inches: 22.5 to 48.5" from top of surface.
- Riser Frames cannot be used with 36" deep work surfaces.
- Optional rechargeable battery pack for a mobile "power cord free" workstation; order PEBPK separately.
- Optional synchronization and ganging kit available; order PSYK separately. Up to four ErgoStat Pro bases can be synchronized together; one PSYK needed per base joint.

How to Specify

Step 1. Product Number

- PERC Caster Base
- PERG Glide Base

Step 2. Depth

- 24 24" deep
- 30 30" deep

Step 3. Width

- 36 36" wide
- 42 42" wide
- 48 48" wide
- 60 60" wide
- 72 72" wide

Step 4. Switch Style

- J Rocker Switch (standard)
- C Rocker Switch, 3-memory settings, digital display (upcharge)
- K Rocker Switch, 3-memory settings (upcharge)



DPFIK

"J" switch (standard)



DPFIC

"C" switch (upcharge)



DPFIK

"K" switch (upcharge)

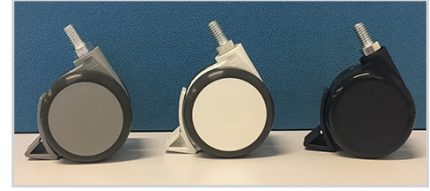
To substitute the "C" or "K" switch for the standard "J" switch:

1. Deduct the list price for the DPFIK ("J" switch) from the ErgoStat Pro Base list price.
2. Add the list price of the new switch to the ErgoStat Pro Base list price. **Example:** To substitute "K" switch on the ErgoStat Pro Base with casters, part# PERC2436J becomes PERC2436K.

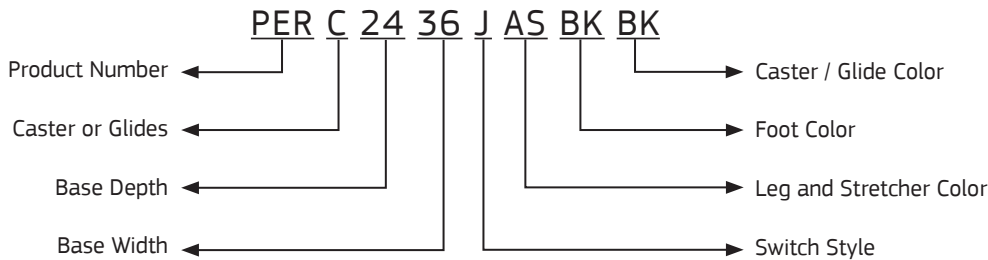
ERGOSTAT PRO ELECTRIC BASE (Cont'd)

Step 5. Select a color code for the Legs, Feet and Casters: (select one of each)

LEG AND STRETCHER	FOOT	CASTER / GLIDE*
AS Argent Silver	AS Argent Silver	AS Silver with Dark Grey Tread
AW Arctic White	AW Arctic White	AW White with Dark Grey Tread
BK Black	BK Black	BK Black
	GL Grey Light	
	NW Neutral White	*Glide is black only

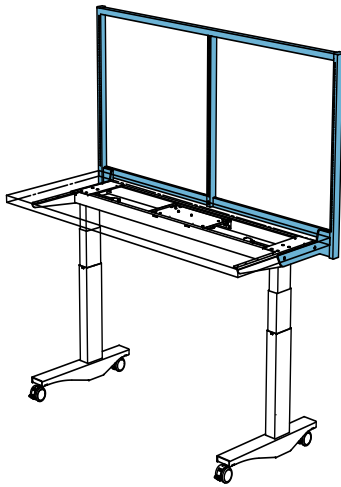


ErgoStat Pro Base Specification Breakdown (example)

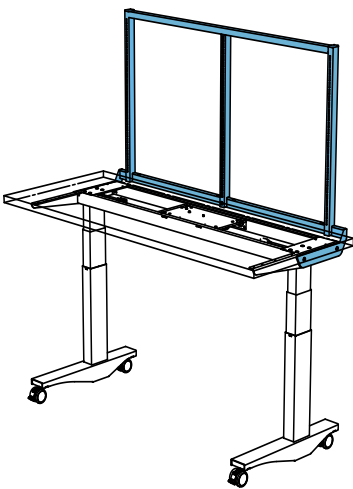
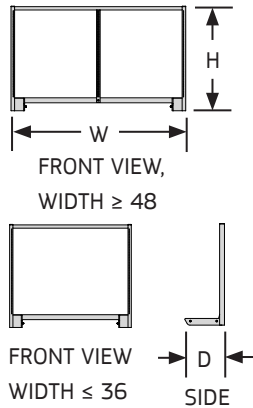


Product Number	Description	Width		Depth		Weight	
		in.	[mm]	in.	[mm]	lb.	[kg]
PERC2436	Casters	29 5/8	746	23 3/8	592	57	26.0
PERC2442	Casters	35 5/8	898	23 3/8	592	59	26.6
PERC2448	Casters	41 3/8	1051	23 3/8	592	60	27.2
PERC2460	Casters	53 3/8	1361	23 3/8	592	63	28.4
PERC2472	Casters	65 3/8	1660	23 3/8	592	65	29.5
PERC3036	Casters	29 5/8	746	29 3/8	744	59	26.9
PERC3042	Casters	35 5/8	898	29 3/8	744	61	27.4
PERC3048	Casters	41 3/8	1051	29 3/8	744	62	28.0
PERC3060	Casters	53 3/8	1361	29 3/8	744	64	29.2
PERC3072	Casters	65 3/8	1660	29 3/8	744	67	30.3
PERG2436	Glides	29 5/8	746	23 5/8	600	59	26.9
PERG2442	Glides	35 5/8	898	23 5/8	600	61	27.5
PERG2448	Glides	41 3/8	1051	23 5/8	600	62	28.1
PERG2460	Glides	53 3/8	1361	23 5/8	600	64	29.2
PERG2472	Glides	65 3/8	1660	23 5/8	600	67	30.4
PERG3036	Glides	29 5/8	746	29 5/8	752	62	28.3
PERG3042	Glides	35 5/8	898	29 5/8	752	64	28.9
PERG3048	Glides	41 3/8	1051	29 5/8	752	65	29.5
PERG3060	Glides	53 3/8	1361	29 5/8	752	68	30.6
PERG3072	Glides	65 3/8	1660	29 5/8	752	70	31.8
PEBPK	Battery pack	8 1/4	210	3	76	1	0.5
PSYK	Synchronization and ganging kit	3	76	-	-	1	0.5

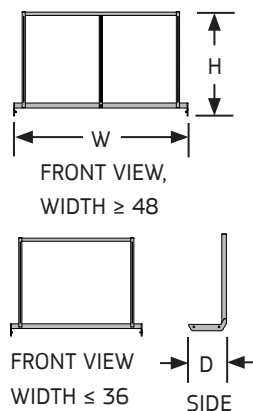
Rev 09.1.21



FULL WIDTH FRAME



UNDERSIZE FRAME



ERGOSTAT PRO RISER FRAME

Open frame design with undersize and full width options provides upright support for hanging components. Riser Frame bolts to the ErgoStat base and adjusts with the base. Frame allows vertical adjustment of components in one inch increments. Riser Frame extends 28 inches above top of surface.

- Riser Frames ≥ 48" include a frame spine which divides the Riser Frame into two smaller, equal sections.
- Load capacity is 200 pounds evenly distributed.
- Riser Frames cannot be used with 36" deep work surfaces.

How to Specify

Step 1. Product Number

- PRF29F Full
- PRF29U Undersize

Step 2. Width

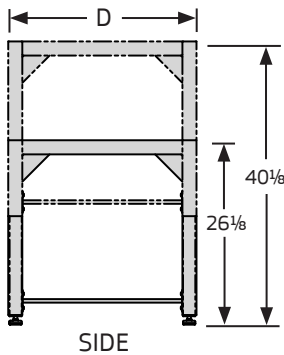
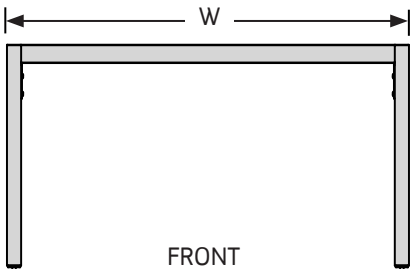
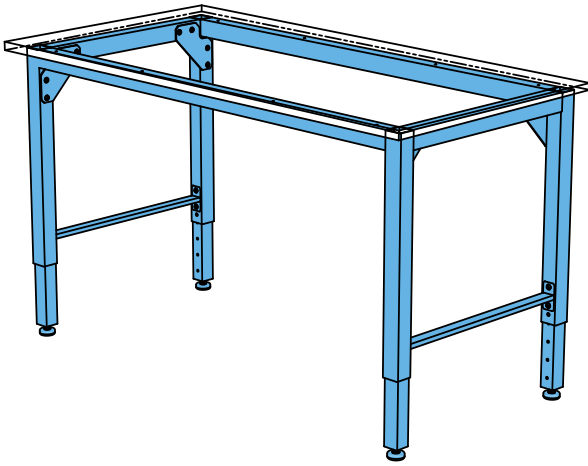
Full Width		Undersize Width	
36	36" wide	24	24" wide
48	48" wide	30	30" wide
60	60" wide	36	36" wide
72	72" wide	48	48" wide
		60	60" wide

Step 3. Paint Color Code

- | | | | |
|----|---------------|----|---------------|
| AS | Argent Silver | GL | Grey Light |
| AW | Arctic White | NW | Neutral White |
| BK | Black | | |

Product Number	Description	Height		Width		Depth		Weight	
		in.	[mm]	in.	[mm]	in.	[mm]	lb.	[kg]
PRF29F36	36" wide components, 36" base mount, full	31 3/8	797	37	940	12 1/4	311	18	8.2
PRF29F48	48" wide components, 48" base mount, full	31 3/8	797	49	1245	12 1/4	311	23	10.4
PRF29F60	60" wide components, 60" base mount, full	31 3/8	797	61	1549	12 1/4	311	25	11.3
PRF29F72	72" wide components, 72" base mount, full	31 3/8	797	73	1854	12 1/4	311	27	12.2
PRF29U24	24" wide components, 36" base mount, undersize	31 3/8	797	30	762	12 1/4	311	14	6.4
PRF29U30	30" wide components, 42" base mount, undersize	31 3/8	797	36	914	12 1/4	311	15	6.8
PRF29U36	36" wide components, 48" base mount, undersize	31 3/8	797	42	1067	12 1/4	311	16	7.3
PRF29U48	48" wide components, 60" base mount, undersize	31 3/8	797	54	1372	12 1/4	311	21	9.5
PRF29U60	60" wide components, 72" base mount, undersize	31 3/8	797	66	1676	12 1/4	311	23	10.4

Rev 07.03.18



4-LEGGED TABLE, GLIDES

Table has leveling glides and a 14" travel range measuring 26¹/₈" to 40¹/₈" from the floor to the bottom of the work surface. Adjusts in 1" increments with threaded fasteners. Heavy-duty welded steel front and back frame construction. Lower side leg cross-bar for added strength and stability. Ships knocked down and is easily assembled with gusset plates.

- Use with Standard Work Surfaces, sold separately (see Section 3), to construct a height adjustable table. Surfaces are not pre-drilled for these bases.
- Optional Lower Shelf available; see Section 4.
- Load capacity 1,000 lbs. evenly distributed.
- Travel range is measured from floor to bottom of surface.

How to Specify

Step 1. Product Number

FLPG

Step 2. Depth

24 24" deep **30** 30" deep **36** 36" deep
42 42" deep **48** 48" deep

Step 3. Width

36 36" wide **48** 48" wide **60** 60" wide
72 72" wide **96** 96" wide

Step 4. Paint Color Code

AS Argent Silver
AW Arctic White
BK Black
GL Grey Light
NW Neutral White

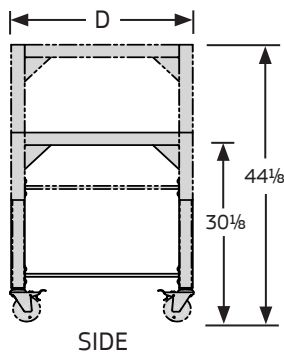
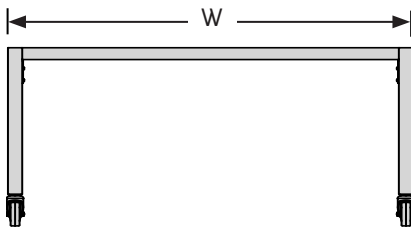
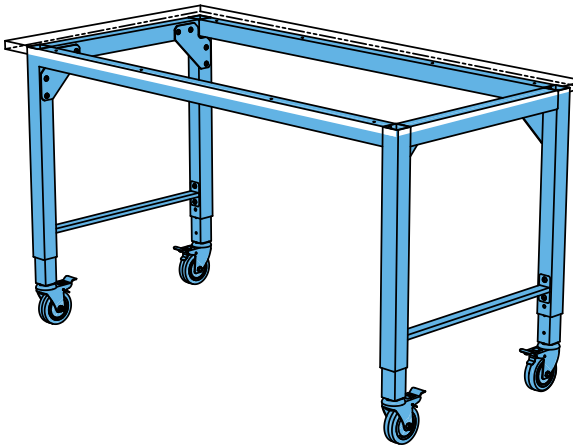
Product Number	Description	Width		Depth		Weight	
		in.	[mm]	in.	[mm]	lb.	[kg]
FLPG2436	Glides	32 3/4	832	20 3/4	527	54	24.5
FLPG2448	Glides	44 3/4	1137	20 3/4	527	59	26.8
FLPG2460	Glides	56 3/4	1441	20 3/4	527	63	28.6
FLPG2472	Glides	68 3/4	1746	20 3/4	527	67	30.4
FLPG2496	Glides	92 3/4	2356	20 3/4	527	75	34.0

Cont'd

4-LEGGED TABLE, GLIDES (Cont'd)

Product Number	Description	Width		Depth		Weight	
		in.	[mm]	in.	[mm]	lb.	[kg]
FLPG3036	Glides	32 3/4	832	26 3/4	679	56	25.4
FLPG3048	Glides	44 3/4	1137	26 3/4	679	61	27.7
FLPG3060	Glides	56 3/4	1441	26 3/4	679	66	29.9
FLPG3072	Glides	68 3/4	1746	26 3/4	679	70	31.8
FLPG3096	Glides	92 3/4	2356	26 3/4	679	78	35.4
FLPG3636	Glides	32 3/4	832	32 3/4	832	60	27.2
FLPG3648	Glides	44 3/4	1137	32 3/4	832	64	29.0
FLPG3660	Glides	56 3/4	1441	32 3/4	832	68	30.8
FLPG3672	Glides	68 3/4	1746	32 3/4	832	72	32.7
FLPG3696	Glides	92 3/4	2356	32 3/4	832	81	36.7
FLPG4248	Glides	44 3/4	1137	38 3/4	984	68	30.8
FLPG4260	Glides	56 3/4	1441	38 3/4	984	74	33.6
FLPG4272	Glides	68 3/4	1746	38 3/4	984	79	35.8
FLPG4296	Glides	92 3/4	2356	38 3/4	984	84	38.1
FLPG4848	Glides	44 3/4	1137	44 3/4	1137	71	32.2
FLPG4860	Glides	56 3/4	1441	44 3/4	1137	75	34.0
FLPG4872	Glides	68 3/4	1746	44 3/4	1137	81	36.7
FLPG4896	Glides	92 3/4	2356	44 3/4	1137	87	39.5

Rev 03/11/19



4-LEGGED TABLE, CASTERS

Table with totallock casters has a 14" travel range measuring 30¹/₈" to 44¹/₈" from floor to bottom of work surface. Adjusts in 1" increments with threaded fasteners. Heavy-duty welded steel front and back frame construction. Lower side leg cross-bar for added strength and stability. Ships knocked down and is easily assembled with gusset plates.

- Use with Standard Work Surfaces, sold separately (see Section 3), to construct a height adjustable table. Surfaces are not pre-drilled for these bases.
- Optional Lower Shelf available; see Section 4.
- Load capacity 880 lbs. evenly distributed.
- Travel range is measured from floor to bottom of surface.

How to Specify

Step 1. Product Number

FLPC

Step 2. Depth

24 24" deep 30 30" deep 36 36" deep
42 42" deep 48 48" deep

Step 3. Width

36 36" wide 48 48" wide 60 60" wide
72 72" wide 96 96" wide

Step 4. Paint Color Code

AS Argent Silver
AW Arctic White
BK Black
GL Grey Light
NW Neutral White

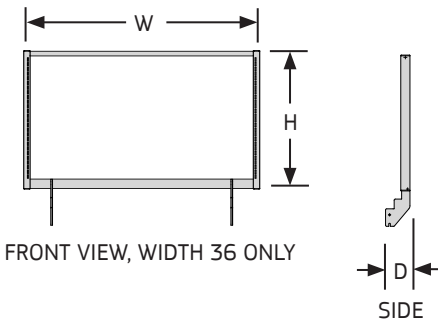
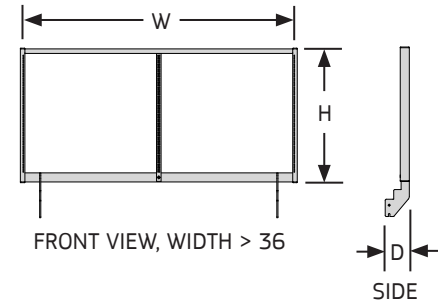
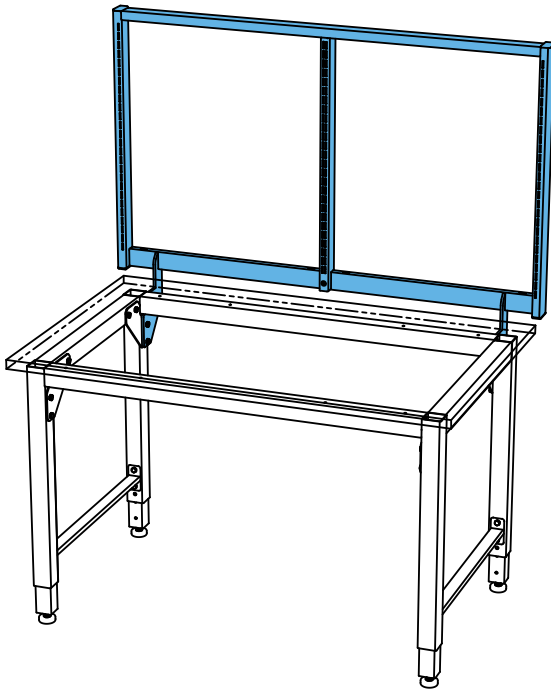
Product Number	Description	Width		Depth		Weight	
		in.	[mm]	in.	[mm]	lb.	[kg]
FLPC2436	Casters	32 3/4	832	20 3/4	527	61	27.7
FLPC2448	Casters	44 3/4	1137	20 3/4	527	65	29.5
FLPC2460	Casters	56 3/4	1441	20 3/4	527	69	31.3
FLPC2472	Casters	68 3/4	1746	20 3/4	527	73	33.1
FLPC2496	Casters	92 3/4	2356	20 3/4	527	81	36.7

Cont'd

4-LEGGED TABLE, CASTERS (Cont'd)

Product Number	Description	Width		Depth		Weight	
		in.	[mm]	in.	[mm]	lb.	[kg]
FLPC3036	Casters	32 ¾	832	26 ¾	679	63	29.0
FLPC3048	Casters	44 ¾	1137	26 ¾	679	67	30.4
FLPC3060	Casters	56 ¾	1441	26 ¾	679	72	32.7
FLPC3072	Casters	68 ¾	1746	26 ¾	679	76	34.5
FLPC3096	Casters	92 ¾	2356	26 ¾	679	84	38.1
FLPC3636	Casters	32 ¾	832	32 ¾	832	66	29.9
FLPC3648	Casters	44 ¾	1137	32 ¾	832	70	31.8
FLPC3660	Casters	56 ¾	1441	32 ¾	832	74	33.6
FLPC3672	Casters	68 ¾	1746	32 ¾	832	78	35.4
FLPC3696	Casters	92 ¾	2356	32 ¾	832	87	39.5
FLPG4248	Casters	44 ¾	1137	38 ¾	984	71	32.2
FLPC4260	Casters	56 ¾	1441	38 ¾	984	78	35.4
FLPC4272	Casters	68 ¾	1746	38 ¾	984	83	37.6
FLPC4296	Casters	92 ¾	2356	38 ¾	984	88	39.9
FLPC4848	Casters	44 ¾	1137	44 ¾	1137	74	33.6
FLPC4860	Casters	56 ¾	1441	44 ¾	1137	79	35.8
FLPC4872	Casters	68 ¾	1746	44 ¾	1137	85	38.6
FLPC4896	Casters	92 ¾	2356	44 ¾	1137	91	41.3

Rev 03/11/19



4-LEGGED TABLE RISER FRAME

Open frame design provides upright support for hanging components. Riser Frame bolts to the 4-Legged Table base and adjusts with the base. Frame allows vertical adjustment of components in one inch increments.

- The 48, 60, 72 and 96-inch Riser Frames include a frame spine which divides the Riser Frame into two smaller, equal sections.
- Load capacity is 200 pounds evenly distributed.

How to Specify

Step 1. Product Number

PRF4L29

Step 2. Width

36 36" wide

48 48" wide

60 60" wide

72 72" wide

96 96" wide

Step 3. Paint Color Code

AS Argent Silver

AW Arctic White

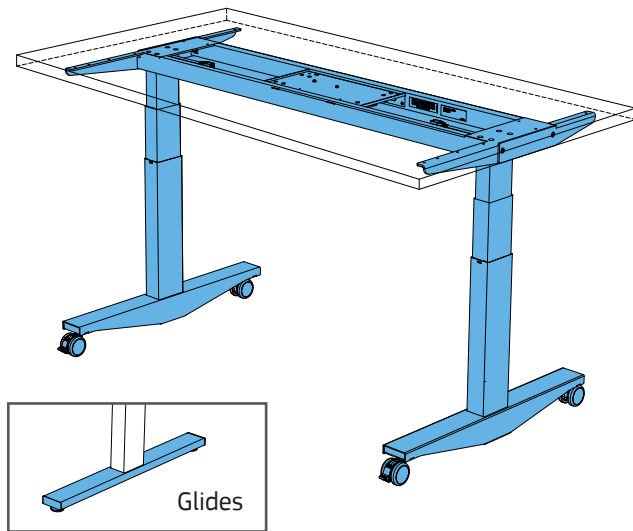
BK Black

GL Grey Light

NW Neutral White

Product Number	Description	Height		Width		Depth		Weight	
		in.	[mm]	in.	[mm]	in.	[mm]	lb.	[kg]
PRF4L2936	Riser frame	29 5/8	752	37	940	5 1/3	135	20	9
PRF4L2948	Riser frame	29 5/8	752	49	1245	5 1/3	135	27	12
PRF4L2960	Riser frame	29 5/8	752	61	1549	5 1/3	135	30	13
PRF4L2972	Riser frame	29 5/8	752	73	1854	5 1/3	135	33	15
PRF4L2996	Riser frame	29 5/8	752	97	2464	5 1/3	135	39	18

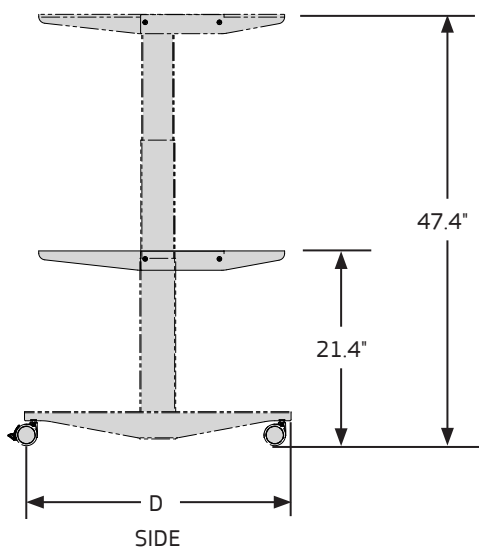
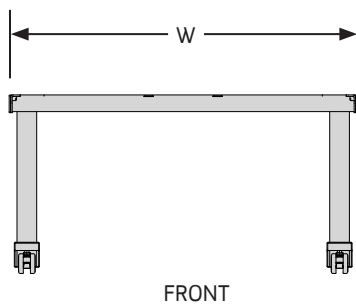
Rev 03.11.19



WORKTABLE PRO ELECTRIC BASE

Available in widths up to 72 inches, the WorkTable Pro electric base has built-in anti-collision technology with a dynamic load capacity of 250 pounds evenly distributed. The base rises 1½" per second and has an approved UL962 drive system with a 10% duty cycle. Meets BIFMA X5.5-2014 with work surface. Available with casters or glides. Ships knocked down.

- Travel range 26 inches: 22.5 to 48.5" from top of surface.
- Includes a 9½' power cord and a standard hand control switch.
- Optional rechargeable battery pack for a mobile "power cord free" workstation; order PEBPK separately.
- Optional synchronization and ganging kit available; order PSYK separately. Up to four WorkTable Pro bases can be synchronized together; one PSYK needed per base joint.



How to Specify

Step 1. Product Number

PWTC Caster Base

PWTG Glide Base

Step 2. Depth

30 30" deep

Step 3. Width

36 36" wide 48 48" wide 60 60" wide
72 72" wide

Step 4. Switch Style

J Rocker Switch (standard)

C Rocker Switch, 3-memory settings, digital display (upcharge)

K Rocker Switch, 3-memory settings (upcharge)



DPFIK

"J" switch (standard)



DPFIC

"C" switch (upcharge)



DPFIM

"K" switch (upcharge)

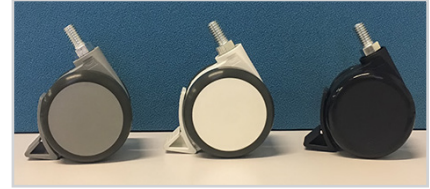
To substitute the "C" or "K" switch for the standard "J" switch:

1. Deduct the list price for the DPFIK ("J" switch) from the ErgoStat Pro Base list price.
2. Add the list price of the new switch to the WorkTable Pro Base list price. **Example:** To substitute "K" switch on the WorkTable Pro Base with casters, part# PWTC3036J becomes PWTC3036K.

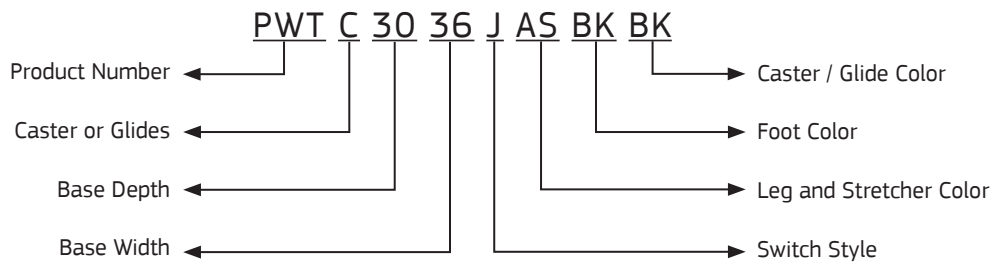
WORKTABLE PRO ELECTRIC BASE (Cont'd)

Step 5. Select a color code for the Legs, Feet and Casters: (select one of each)

LEG AND STRETCHER	FOOT	CASTER / GLIDE*
AS Argent Silver	AS Argent Silver	AS Silver with Dark Grey Tread
AW Arctic White	AW Arctic White	AW White with Dark Grey Tread
BK Black	BK Black	BK Black
	GL Grey Light	
	NW Neutral White	*Glide is black only



ErgoStat Pro Base Specification Breakdown (example)



Product Number	Description	Width		Depth		Weight	
		in.	[mm]	in.	[mm]	lb.	[kg]
PWTC3036	Castors	29 5/8	746	29 3/8	744	63	28.6
PWTC3048	Castors	41 3/8	1051	29 3/8	744	66	29.9
PWTC3060	Castors	53 3/8	1361	29 3/8	744	68	30.8
PWTC3072	Castors	65 3/8	1660	29 3/8	744	71	32.2
PWTG3036	Glides	29 5/8	746	29 5/8	752	66	29.9
PWTG3048	Glides	41 3/8	1051	29 5/8	752	69	31.3
PWTG3060	Glides	53 3/8	1361	29 5/8	752	72	32.7
PWTG3072	Glides	65 3/8	1660	29 5/8	752	74	33.6
PEBPK	Battery pack	8 1/4	210	3	76	1	0.5
PSYK	Synchronization and ganging kit	3	76	-	-	1	0.5

Rev 06/23/20



TOUCH UP PAINT

Repair small blemishes on painted surfaces with touch up paint. The 6 fluid ounce aerosol spray cans may not be shipped via air transport.

How to Specify

Step 1. Product Number

Product Number	Description	Weight	
		lb.	[kg]
TPAS	Argent Silver	1	.5
TPAW	Arctic White	1	.5
TPBK	Black	1	.5
TPGL	Grey Light Smooth	1	.5
TPNW	Neutral White	1	.5

Rev 09.20.17