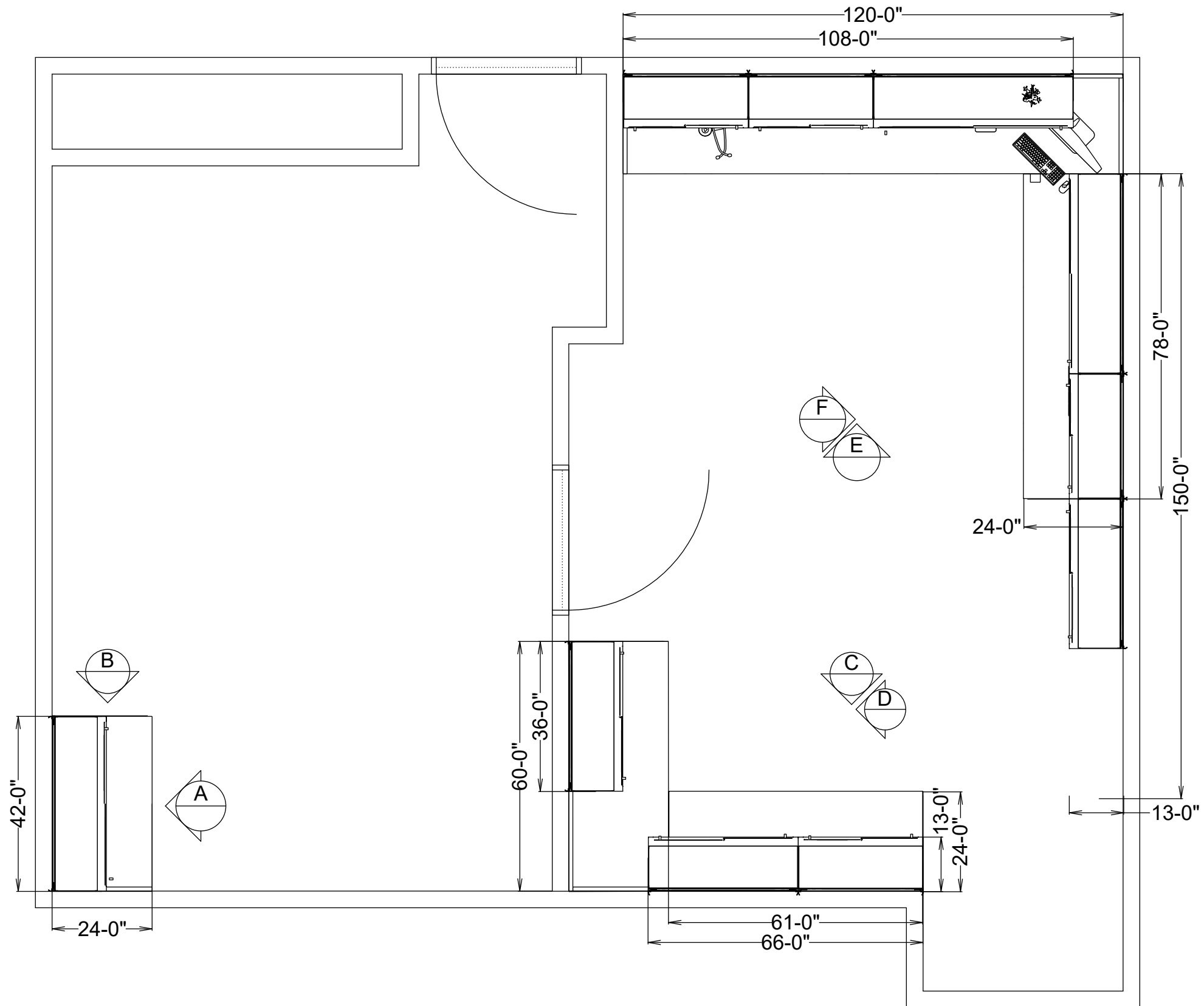
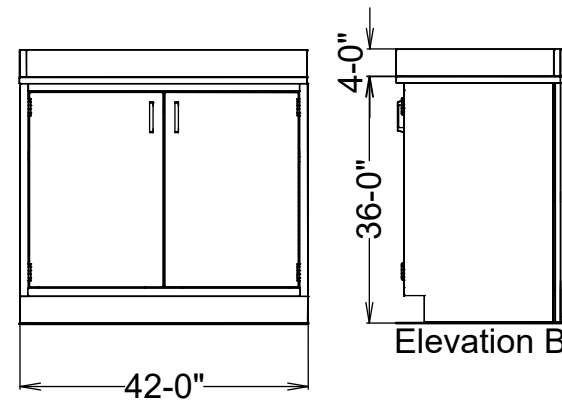
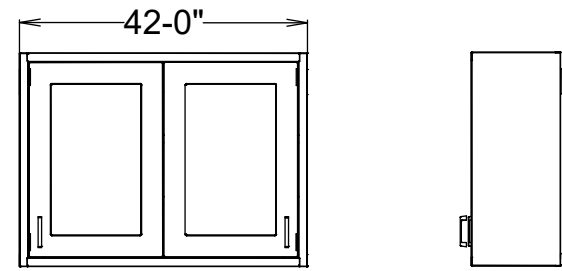


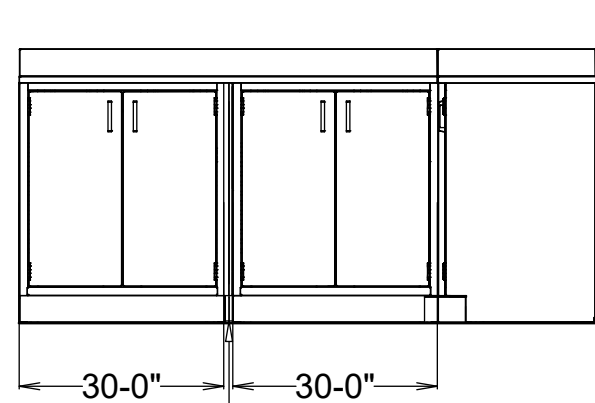
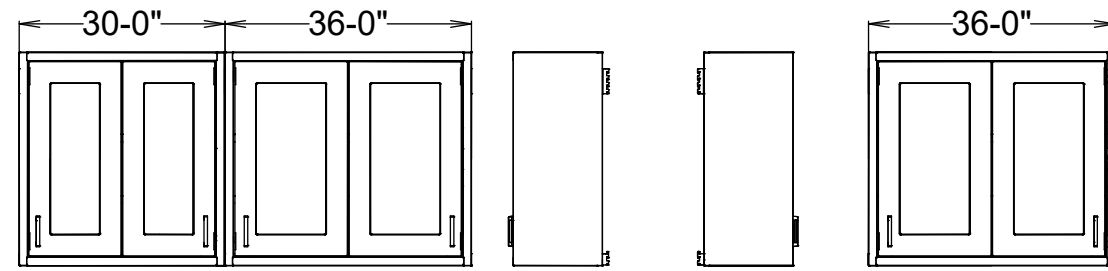
REV #	DATE	DRAWN BY
1	2/2/2021	LJ



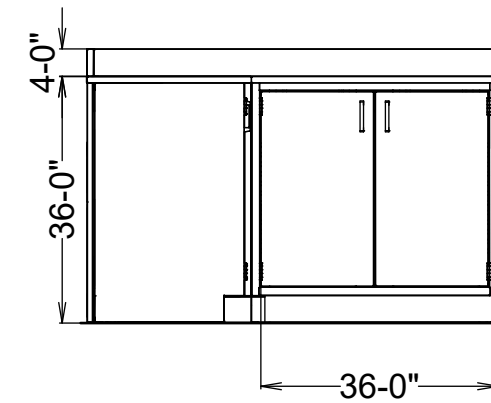
REV #	DATE	DRAWN BY
1	2/2/2021	LJ



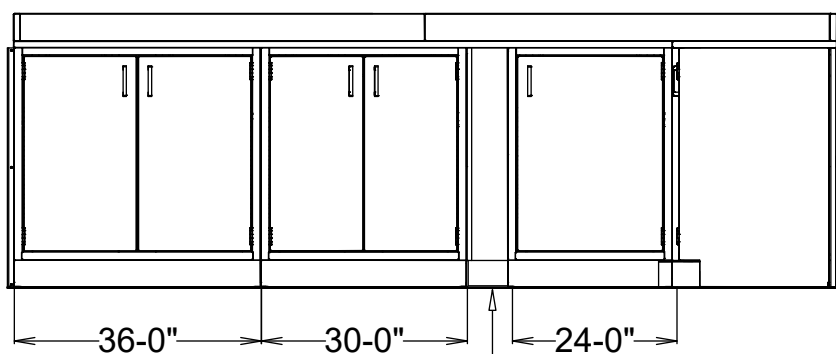
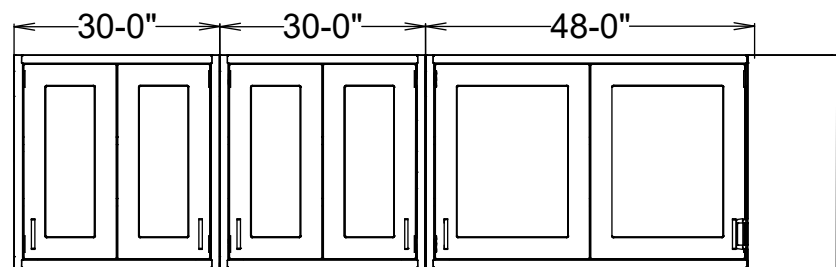
Elevation A



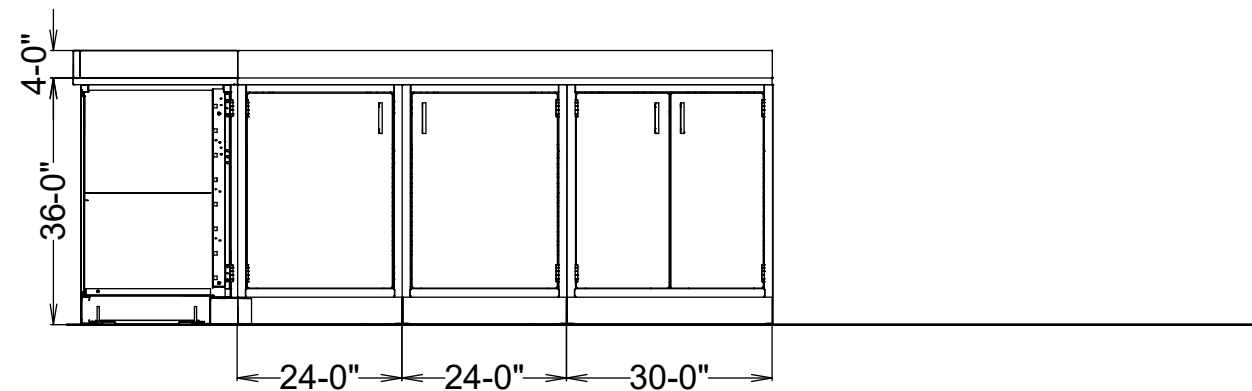
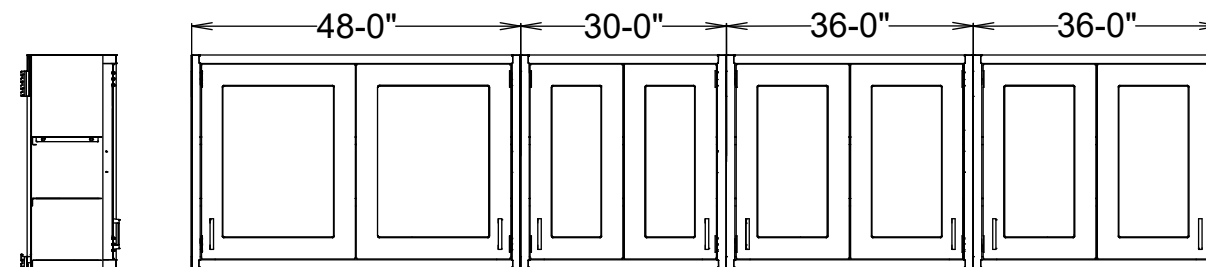
Elevation C



Elevation D



Elevation E



Elevation F



