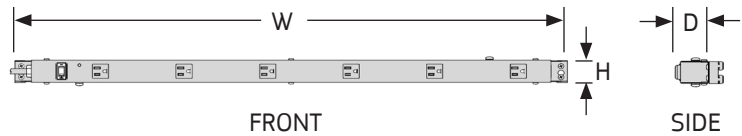
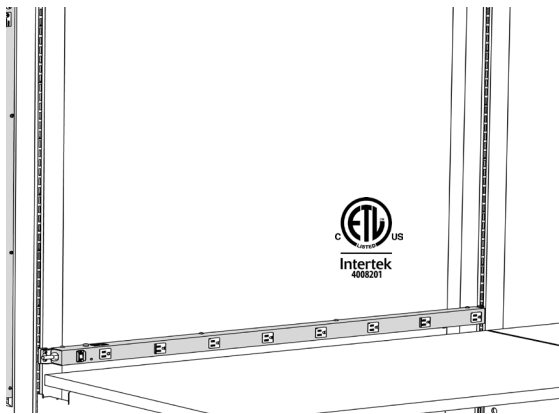


ELECTRICAL AND AIR

Plug Strips	8.2
Electrical Outlet Strips	8.3
Utility Mounting Brackets	8.4
LED Lights	8.5
General LED Task Lights	8.6
LED Magnification Light	8.7
LED High Performance Task Lights	8.8
Cantilever Light Brackets	8.9
Shelf Mount Light Brackets	8.10
Electrical Distributors, Inset-Mount	8.11
Electrical Distributor Covers, Inset-Mount	8.12
Electrical Distributors, Face-Mount	8.13
Electrical Distributor Covers, Face-Mount	8.14
Electrical Distributor Power Cables	8.15
Electrical Distributor Receptacles	8.16
Data Distributors, Face-Mount	8.17
Data Dist. Routers/End Covers, Face-Mount	8.18
Data Distributors, Inset-Mount	8.19
Data Dist. Routers/End Covers, Inset-Mount	8.20
Vertical Distributors	8.21
Air Strips	8.22
Compressed Air Accessories	8.23
Air Brackets, Surface-Mount	8.24





PLUG STRIPS

- Plug Strips provide single circuit, 15 Amp or 20 Amp, 110 Volt outlets where needed on frames.
- Each strip includes NEMA configuration 5-15R/5-20R black simplex receptacles and a 5-15P/5-20P plug.
- Strips mount horizontally to frames on hanger clips.
- Each strip includes a lighted, rocker-actuated circuit breaker with a built-in safety guard and an 8' power cord.
- One threaded insert located on each end of the Plug Strip allows for the grounding of dissipative workstation components.
- 15 Amp Plug Strips conform to ANSI/UL std.1363 and CSA C22.2 No.308.

NOTES

- » Power cords exit the end of each strip where the switch is located.
- » 20 Amp Plug Strips will not plug into 15 Amp Plug Strips.
- » 15 and 20 Amp Plug Strips are available with NEMA L5-15P and L5-20P twist lock plugs; consult factory.

How to Specify

Step 1. Product Number

- EPS Plug Strip, 15 Amp
- EP20 Plug Strip, 20 Amp

Step 2. Width

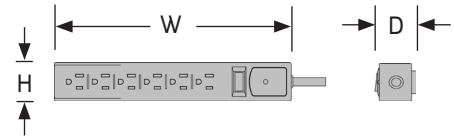
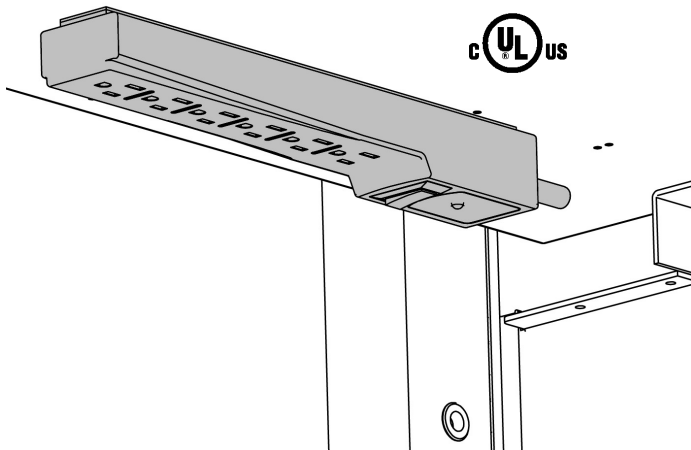
- 24 24" wide 30 30" wide 36 36" wide
- 48 48" wide 60 60" wide 72 72" wide

Step 3. Paint Color Code

- AW Arctic White GL Grey Light Smooth
- AS Argent Silver GT Grey Light Texture
- BK Black NW Neutral White
- BT Black Texture ST Sand Texture

Product Number	Description	Height		Width		Depth		Weight	
		in.	[mm]	in.	[mm]	in.	[mm]	lb.	[kg]
EPS24	15 Amp, 6 outlets	2	51	24	610	2	51	3	1.4
EPS30	15 Amp, 7 outlets	2	51	30	762	2	51	4	1.8
EPS36	15 Amp, 8 outlets	2	51	36	914	2	51	5	2.3
EPS48	15 Amp, 10 outlets	2	51	48	1219	2	51	6	2.7
EPS60	15 Amp, 12 outlets	2	51	60	1524	2	51	7	3.2
EPS72	15 Amp, 15 outlets	2	51	72	1829	2	51	9	4.1
EP2024	20 Amp, 6 outlets	2	51	24	610	2	51	3	1.4
EP2030	20 Amp, 7 outlets	2	51	30	762	2	51	4	1.8
EP2036	20 Amp, 8 outlets	2	51	36	914	2	51	5	2.3
EP2048	20 Amp, 10 outlets	2	51	48	1219	2	51	6	2.7
EP2060	20 Amp, 12 outlets	2	51	60	1524	2	51	7	3.2
EP2072	20 Amp, 15 outlets	2	51	72	1829	2	51	9	4.1

Rev 06/10/24



ELECTRICAL OUTLET STRIPS

- Strips provide six 15 Amp, 120 Volt outlets where needed.
- Each strip includes a lighted on/off switch with integrated circuit breaker, 6' power cord and hook and loop strips for mounting to any flat surface.
- EMI/RFI noise filtering.
- 15 Amp Outlet Strips are UL listed.
- Surge suppression rating: 790 Joules.
- Finish is black.

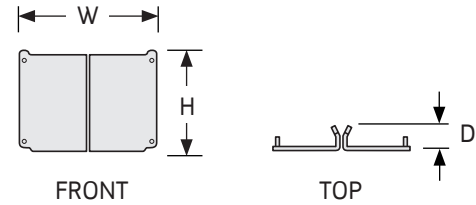
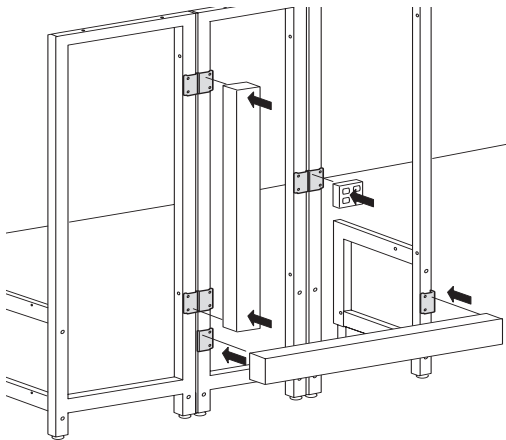
How to Specify

Step 1. Product Number

EOS6BK

Product Number	Description	Height		Width		Depth		Weight	
		in.	[mm]	in.	[mm]	in.	[mm]	lb.	[kg]
EOS6BK	Outlet strip	1 5/8	41	10 1/4	260	1 1/2	38	2	0.9

Rev 08/11/11



UTILITY MOUNTING BRACKETS

- Sold in pairs, Utility Mounting Brackets provide easy adaptability to Symbiote stations for junction boxes and vertical and horizontal mounting of standard Wiremold®, without defacing the framework.
- Steel brackets have a solid face on which to mount electrical product with self drilling screws. Integral clips hang in 1" increments on frames.
- Brackets mount adjacent to each other at the juncture of two frames providing flat stationary surfaces on which to mount vertical electrical product and junction boxes with self drilling screws.
- Brackets also mount opposite each other on frames providing flat surfaces on which to mount horizontal electrical product with self drilling screws.
- Finish is Black.

NOTES

- » Junction box and horizontal mounting requires one pair of brackets; vertical mounting requires two pairs.

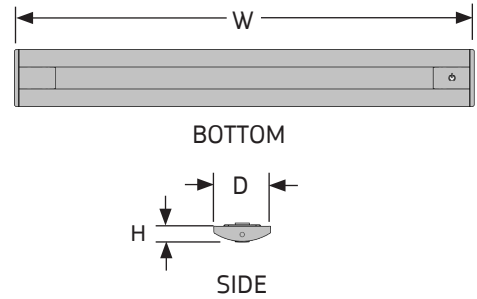
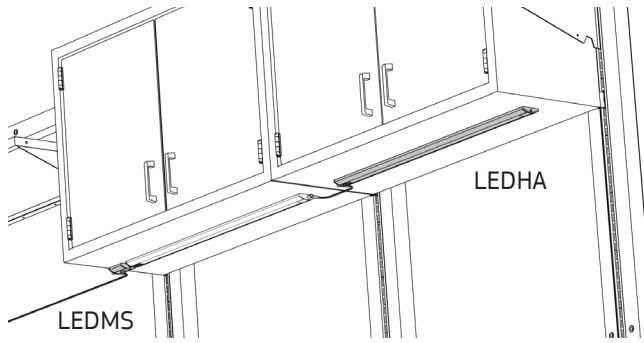
How to Specify

Step 1. Product Number

UMBBK

Product Number	Description	Height		Width		Depth		Weight	
		in.	[mm]	in.	[mm]	in.	[mm]	lb.	[kg]
UMBBK	Utility brackets	4 5/8	117	4 3/4	121	1 1/2	34	2	0.9

Rev 01/29/09



LED LIGHTS

High Output LED Lights

- High output LED lighting provides high efficiency lighting for general tasks. 3500K temperature, 84CRI and 50,000 hour life span.
- Touch-and-hold continuous dimming with 10 hour automatic shut off.
- Starter kits include one 60W Power Supply with 12' cord.
- Adder kits include the light, (1) 8" and (1) 30" length jumper; Power Supply not included.
- Color is clear anodized aluminum housing with white end caps.

Occupancy Sensor

- Passive infrared (PIR) integrated occupancy sensor automatically turns off all interconnected fixtures after 30 minutes of no movement detection.

NOTES

- » Includes screw and pivoting magnetic mounting kit complete with adhesive cord managers.
- » Additional jumpers sold separately.
- » End-to-end connectors can be used between lights in place of a jumper.
- » Recommended shelf sizes are:
 - 17" LED Light - 24", 30" and 36"
 - 31" LED Light - 48" and larger
 - 44" LED Light - 60" and larger
 - 58" LED Light - 72"

How to Specify

Step 1. Product Number

- LEDHS LED Light, Starter Unit
- LEDHA LED Light, Adder Unit

Step 2. Width

- 17 17" wide 31 31" wide 44 44" wide
- 58 58" wide

Step 3. Color (Lights only)

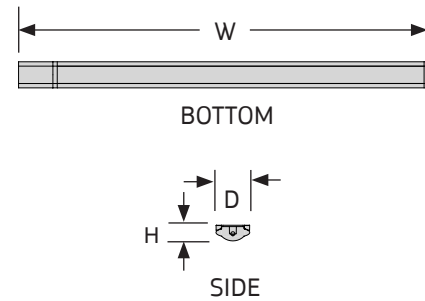
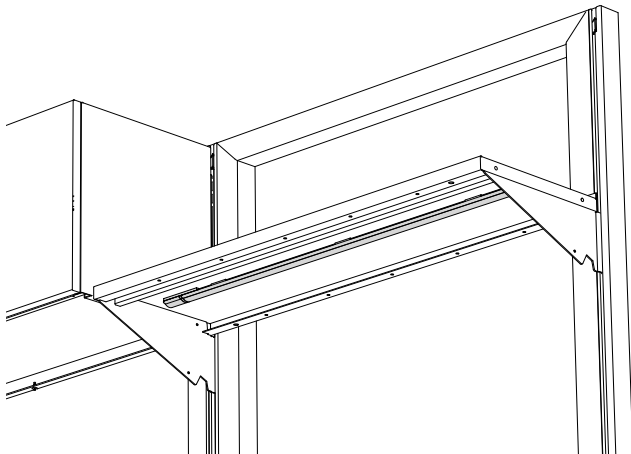
- SVW Silver with White

Interconnected LED light fixtures must not exceed 60W. Layout combinations include:

17" LED	31" LED	44" LED	58" LED
QTY	QTY	QTY	QTY
4	0	0	0
3	0	0	0
2	1	0	0
1	1	0	0
1	0	1	0
0	2	0	0
0	0	1	0
0	0	0	1

Product Number	Description	Height		Width		Depth		Weight	
		in.	[mm]	in.	[mm]	in.	[mm]	lb.	[kg]
LEDHS17SVW	Starter unit (744 lumens, 12.8 watts)	½	13	16 ½	419	2	51	1 ¼	0.6
LEDHS31SVW	Starter unit (1590 lumens, 28.4 watts)	½	13	30 ⅛	765	2	51	1 ¾	0.8
LEDHS44SVW	Starter unit (2290 lumens, 42.5 watts)	½	13	43 ¾	1111	2	51	2 ¼	1.0
LEDHS58SVW	Starter unit (2807 lumens, 54.2 watts)	½	13	57 ½	1461	2	51	2 ¾	1.2
LEDHA17SVW	Adder unit (744 lumens, 10.9 watts)	½	13	16 ½	419	2	51	1 ¼	0.6
LEDHA31SVW	Adder unit (1590 lumens, 23.4 watts)	½	13	30 ⅛	765	2	51	1 ¾	0.8
LEDHA44SVW	Adder unit (2290 lumens, 34.3 watts)	½	13	43 ¾	1111	2	51	2 ¼	1.0
LEDMS	Motion sensor	½	13	2	51	2	51	1	0.5
LEDEC	End-to-end connector	½	13	2	51	2	51	¼	0.1
LEDP60	60 watt power supply	½	13	4 ½	114	2	51	1	0.5
LEDJ08	8" jumper (interconnect cord)	½	13	8	203	2	51	¼	0.1
LEDJ30	30" jumper (interconnect cord)	½	13	30	762	2	51	¼	0.1
LEDJ54	54" jumper (interconnect cord)	½	13	54	1372	2	51	¼	0.1

Rev 03/09/16



GENERAL LED TASK LIGHTS

- General LED Task Lights provide illumination where needed with a lifespan of 52,000 hours and a 3500k color temperature.
- Light features touch pad dimming with last state memory to further adjust light intensity and automatic shut off.
- Low profile design mounts with magnets under Multi-function, Storage, Center and Bookend Shelves, plus Storage Cabinets, in the flat position.
- Color is silver with black end caps.

NOTES

- » Does not mount to Cantilever or Shelf Mount Light Brackets.

How to Specify

Step 1. Product Number

LEDTG

Step 2. Width

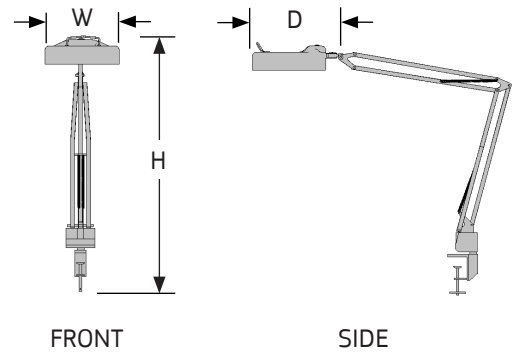
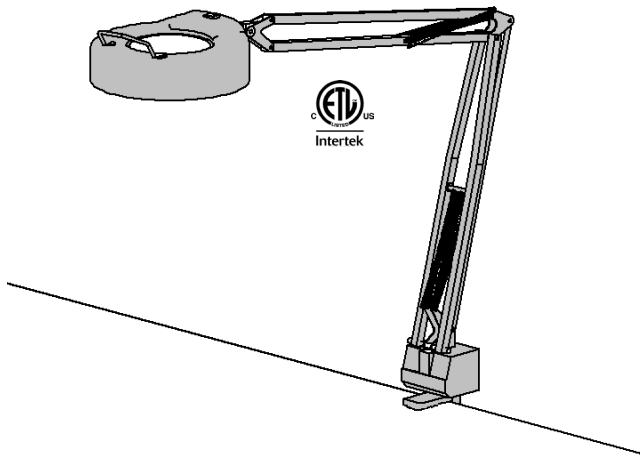
17 17" wide 31 31" wide 44 44" wide

Step 3. Color

SVB Silver with Black

Product Number	Description	Height		Width		Depth		Weight	
		in.	[mm]	in.	[mm]	in.	[mm]	lb.	[kg]
LEDTG17SVB	LED task light	½	13	18 ⅝	473	1 ¼	32	5	2.3
LEDTG31SVB	LED task light	½	13	32 ⅝	829	1 ¼	32	7	3.2
LEDTG44SVB	LED task light	½	13	45 ⅝	1159	1 ¼	32	9	4.1

Rev 0910/18



LED MAGNIFICATION LIGHT

- Double-arm adjustable light with a 3-diopter magnification lens.
- 9" diameter metal shade houses 9.4W LED panel, CRI > 81, color temperature 4783K.
- Clamps to edge of a surface.
- ETL Certified.
- Color is white.

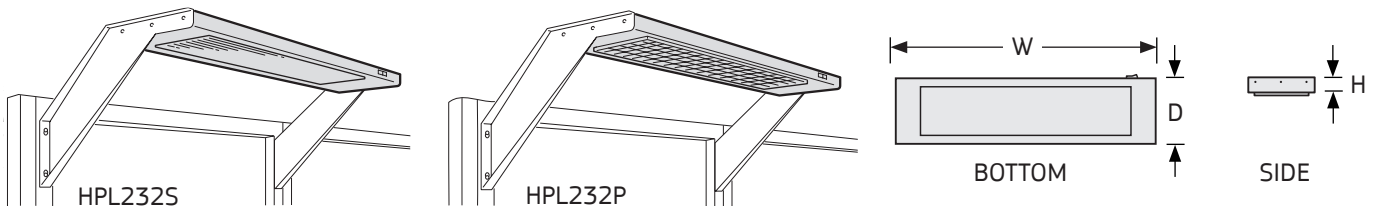
How to Specify

Step 1. Product Number

ML180W

Product Number	Description	Height		Width		Depth		Weight	
		in.	[mm]	in.	[mm]	in.	[mm]	lb.	[kg]
ML180W	LED magnification light	40 ½	1028	9	229	9	229	8	3.6

Rev 09/10/18



LED HIGH PERFORMANCE TASK LIGHTS

- LED Lights provide illumination for assembly tasks.
- Lights mount under shelves with Shelf Mount Light Brackets or to frames with Cantilever Light Brackets.
- Lights include premium glass tube LED lamps and a 9' cord with rear right-hand exit.
- Lights are available with batwing or glare reducing parabolic lenses and with two or four lamps.
- Four lamp fixtures have two switches allowing two or four lamps to be lit.
- Color temperature 4100k.

NOTES

- » Mounting brackets sold separately; see pages 8.9 - 8.10.
- » Lights are available for UK applications with a BS 1363A plug.
- » Lights are available for EU applications with a CEE 7/7 "Schuko" plug.
- » To order United Kingdom or European Task Lights, consult factory.

How to Specify

Step 1. Product Number

- HPL2 LED Task Light, 2 lamp
HPL4 LED Task Light, 4 lamp

Step 2. Width

- 32 32" wide 44 44" wide 56 56" wide
68 68" wide

Step 3. Lens

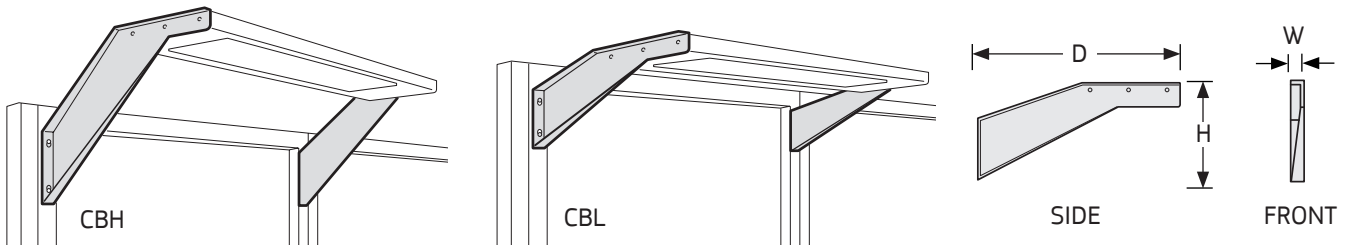
- S Batwing P Parabolic

Step 4. Paint Color Code

- | | | | |
|----|---------------|----|--------------------|
| AW | Arctic White | GL | Grey Light Smooth |
| AS | Argent Silver | GT | Grey Light Texture |
| BK | Black | NW | Neutral White |
| BT | Black Texture | ST | Sand Texture |

Product Number	Description	Height		Width		Depth		Weight	
		in.	[mm]	in.	[mm]	in.	[mm]	lb.	[kg]
HPL232S	2 lamp, batwing	2	51	32	813	11	279	20	9.1
HPL232P	2 lamp, parabolic	2	51	32	813	11	279	20	9.1
HPL244S	2 lamp, batwing	2	51	44	1118	11	279	25	11.3
HPL244P	2 lamp, parabolic	2	51	44	1118	11	279	25	11.3
HPL256S	2 lamp, batwing	2	51	56	1422	11	279	30	13.6
HPL256P	2 lamp, parabolic	2	51	56	1422	11	279	30	13.6
HPL268S	2 lamp, batwing	2	51	68	1727	11	279	33	15.0
HPL268P	2 lamp, parabolic	2	51	68	1727	11	279	33	15.0
HPL432S	4 lamp, batwing	2	51	32	813	11	279	20	9.1
HPL432P	4 lamp, parabolic	2	51	32	813	11	279	20	9.1
HPL444S	4 lamp, batwing	2	51	44	1118	11	279	25	11.3
HPL444P	4 lamp, parabolic	2	51	44	1118	11	279	25	11.3
HPL456S	4 lamp, batwing	2	51	56	1422	11	279	30	13.6
HPL456P	4 lamp, parabolic	2	51	56	1422	11	279	30	13.6
HPL468S	4 lamp, batwing	2	51	68	1727	11	279	33	15.0
HPL468P	4 lamp, parabolic	2	51	68	1727	11	279	33	15.0

Rev 04/01/19



CANTILEVER LIGHT BRACKETS

- Sold in pairs, Cantilever Light Brackets provide overhead frame-mounted support for High Performance Task Lights and Overhead Tool Travelers.
- Low profile brackets mount flush with the top of frames when mounted in their highest position.
- High profile brackets extend 7½" above frames when mounted in their highest position.

NOTES

- » Use extended brackets when shelves 15" deep or greater are mounted below lights.
- » LED High Performance Task Lights and Tool Travelers sold separately; see pages 8.8 and 12.13.
- » General LED Task Lights do not mount to Cantilever Light Brackets.
- » Cantilever Light Brackets allow lights to span between two adjacent frames that are connected by a Panel Connector as well as mount to individual frames.

How to Specify

Step 1. Product Number

- CBL** Light Bracket, low profile
- CBL30** Light Bracket, low profile, extended
- CBH** Light Bracket, high profile
- CBH30** Light Bracket, high profile, extended

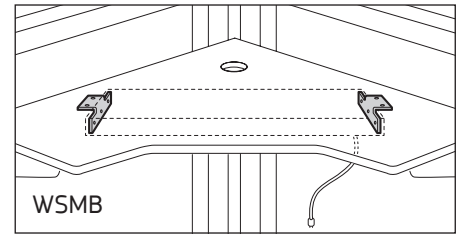
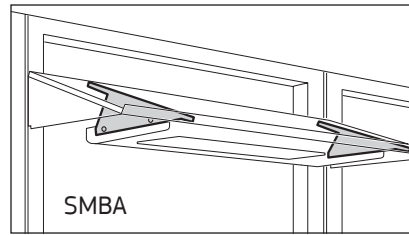
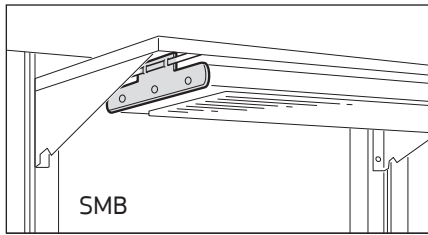
Step 2. Paint Color Code

STANDARD

- AW** Arctic White
- AS** Argent Silver
- BK** Black
- BT** Black Texture
- GL** Grey Light Smooth
- GT** Grey Light Texture
- NW** Neutral White
- ST** Sand Texture

Product Number	Description	Height		Width		Depth		Weight	
		in.	[mm]	in.	[mm]	in.	[mm]	lb.	[kg]
CBL	Low profile, pair	7 ½	191	2	51	20 ½	521	7	3.2
CBL30	Low profile extended, pair	7 ½	191	2	51	30 ½	775	10	4.5
CBH	High profile, pair	17 ¼	438	2	51	20 ½	521	10	4.5
CBH30	High profile extended, pair	17 ¼	438	2	51	30	762	15	6.8

Rev 04/01/19



SHELF MOUNT LIGHT BRACKETS

Shelf Mount Light Brackets, Flat and Angled

- Sold in pairs, Shelf Mount Light Brackets mount High Performance Task Lights beneath Bookend, Center, High Density and Multi-Function Shelves as well as Storage Cabinets.
- Brackets provide side-to-side and fore and aft adjustment.
- Brackets allow Task Lights to span between two adjacent Bookend, High Density and Multi-Function Shelves as well as Storage Cabinets, when shelves are mounted in the flat position with brackets extending above the shelves.
- Flat Shelf Mount Brackets mount to shelves in the flat position, and Angled Shelf Mount Brackets mount to shelves in sloped positions.

Shelf Mount Light Brackets, Laminate Corner Shelf

- Brackets mount 32" wide LED High Performance Task Lights beneath 36" and 48" wide Laminate Corner Shelves.

NOTES

- » LED High Performance Task Lights sold separately; see page 8.8.
- » If ordering a light to be mounted under a storage cabinet you will need a SMB (Shelf Mount Light Bracket, Flat) and a LSB13 (Light Spring Bar).

How to Specify

Step 1. Product Number

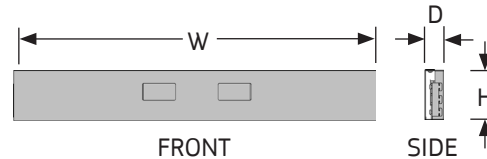
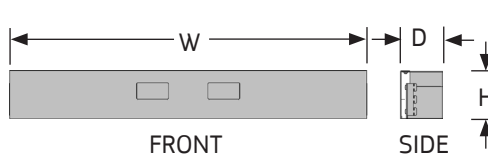
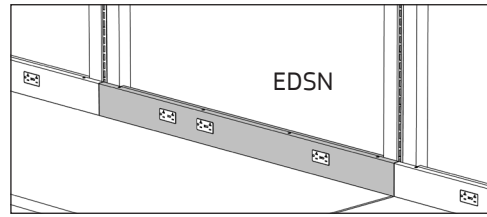
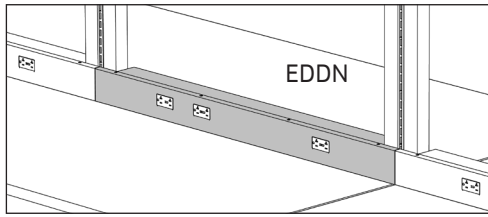
SMB	Shelf Mount Light Bracket, flat
SMBA	Shelf Mount Light Bracket, angled
WSMB	Shelf Mount Light Bracket, corner
LSB13	Light Spring Bar

Step 2. Paint Color Code (excludes LSB13)

AW	Arctic White	GL	Grey Light Smooth
AS	Argent Silver	GT	Grey Light Texture
BK	Black	NW	Neutral White
BT	Black Texture	ST	Sand Texture

Product Number	Description	Height		Width		Depth		Weight	
		in.	[mm]	in.	[mm]	in.	[mm]	lb.	[kg]
SMB	Flat, pair	3	76	¼	6	10	254	1	0.5
SMBA	Angled, pair	5 ½	140	¼	6	10	254	1	0.5
WSMB	Corner shelf, pair	2	51	1 ¾	44	10	254	1	0.5
LSB13	Light spring bar, pair					12 ½	318	1	0.5

Rev 04/01/19



ELECTRICAL DISTRIBUTORS, INSET-MOUNT

- Inset-Mount Electrical Distributors provide either single- or double-sided pre-wired electrical distribution throughout workstations.
- Mounts only to UltraFrames; also functions as a surface backstop.
- Duplex receptacles are ordered separately; their interchangeability permits a variety of circuit combinations to configure on site.
- The eight-wire electrical system is UL Listed as a manufactured Wiring System (UL183) and UL Recognized as an Office Furnishing Accessory (UL1286).
- The system distributes up to four 20 Amp circuits using 20 Amp duplex receptacles.

NOTES

- » Duplex Receptacles sold separately; see page 8.16.
- » Electrical Entry and Jumper Cables sold separately; see page 8.15.
- » Electrical Distributors meeting in a 90° degree corner, spanning a three or four-way connection, or feeding from a Vertical Distributor require mitering of the front cover. To specify a mitered cut to the left or right side of the front cover, substitute a "1" in place of the "0" in the product number depending on left or right side modification, i.e. EDDN4801 (right) and EDSN3610 (left) cut cover.
- » To ground dissipative workstation components to the Electrical Distributor order a Electrical Distributor Grounding Kit; see page 5.3.

How to Specify

Step 1. Product Number

- EDDN Distributor, inset mount, double-sided
- EDSN Distributor, inset mount, single-sided

Step 2. Width

- 24 24" wide 30 30" wide 36 36" wide
- 48 48" wide 60 60" wide

Step 3. Cut

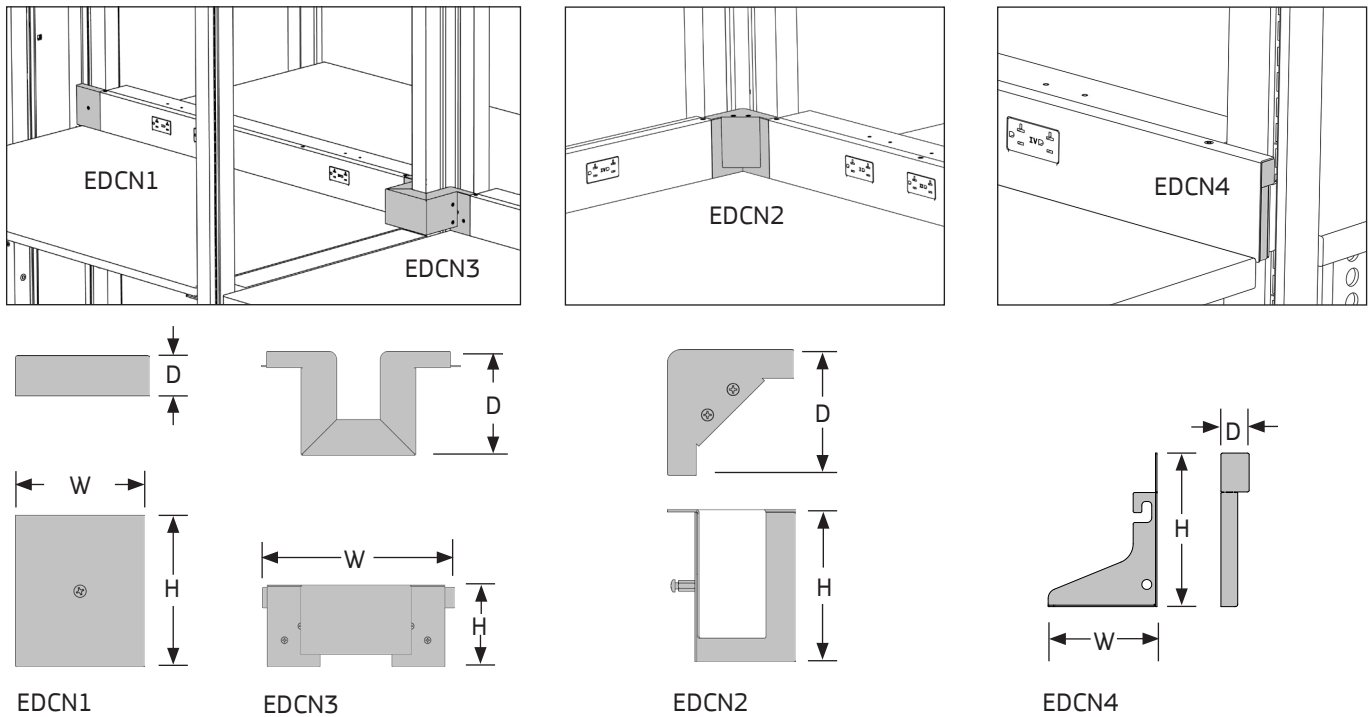
- 00 No Cut 01 Right Cut 10 Left Cut
- 11 Both Cut

Step 4. Paint Color Code

- AW Arctic White GL Grey Light Smooth
- AS Argent Silver GT Grey Light Texture
- BK Black NW Neutral White
- BT Black Texture ST Sand Texture

Product Number	Description	Height		Width		Depth		Weight	
		in.	[mm]	in.	[mm]	in.	[mm]	lb.	[kg]
EDDN2400	Double-sided, 2 duplex openings	4	102	24	610	3 ½	89	6	2.7
EDDN3000	Double-sided, 2 duplex openings	4	102	30	762	3 ½	89	8	3.6
EDDN3600	Double-sided, 4 duplex openings	4	102	36	914	3 ½	89	10	4.5
EDDN4800	Double-sided, 6 duplex openings	4	102	48	1219	3 ½	89	13	5.9
EDDN6000	Double-sided, 8 duplex openings	4	102	60	1524	3 ½	89	16	7.3
EDSN2400	Single-sided, 1 duplex opening	4	102	24	610	1 ¾	44	4	1.8
EDSN3000	Single-sided, 1 duplex opening	4	102	30	762	1 ¾	44	5	2.3
EDSN3600	Single-sided, 2 duplex openings	4	102	36	914	1 ¾	44	7	3.2
EDSN4800	Single-sided, 3 duplex openings	4	102	48	1219	1 ¾	44	9	4.1
EDSN6000	Single-sided, 4 duplex openings	4	102	30	762	1 ¾	44	12	5.4

Rev 04/01/19



ELECTRICAL DISTRIBUTOR COVERS, INSET-MOUNT

Distributor Covers

- Inset-Mount Electrical Distributor Covers hide conduit connections between Inset-Mount Electrical and/or Vertical Distributors.
- Chase Entry Electrical Distributor Covers mount to Electrical Distributors with a "1" style front modification on either the left or right side of the distributor.
- Corner and 3-Way Frame Electrical Distributor Span Covers mount to Electrical Distributors with a "1" style front modification of the distributors on both sides.

End Cover

- As an optional visual cap, the Inset-Mount Electrical Distributor End Cover can be added to the left or right end (specify L/R) of an Electrical Distributor.
- Includes knock-out tab for cable entry.
- Mounts to "0" style (uncut) ends; see page 8.11.

How to Specify

Step 1. Product Number

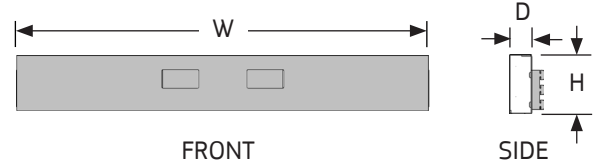
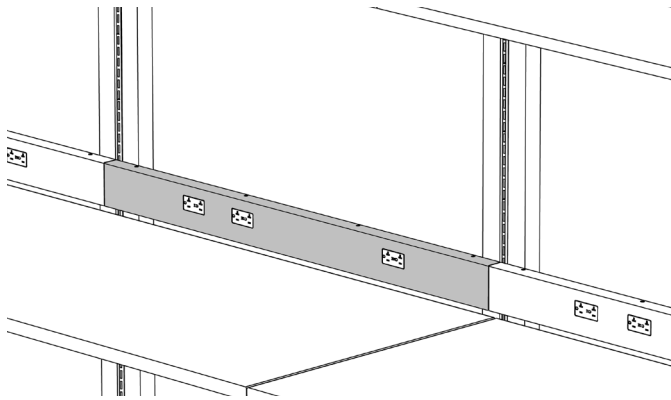
- EDCN1 Chase Entry
- EDCN2 Corner
- EDCN3 3-Way Frame Span
- EDCN4L End Cover, left-hand
- EDCN4R End Cover, right-hand

Step 2. Paint Color Code

- AW Arctic White
- AS Argent Silver
- BK Black
- BT Black Texture
- GL Grey Light Smooth
- GT Grey Light Texture
- NW Neutral White
- ST Sand Texture

Product Number	Description	Height		Width		Depth		Weight	
		in.	[mm]	in.	[mm]	in.	[mm]	lb.	[kg]
EDCN1	Chase entry	4	102	3 3/8	86	3/4	19	1	0.5
EDCN2	Corner	4	102	3 3/8	86	3 3/8	86	1	0.5
EDCN3	3-way frame span	4	102	8 3/4	222	5	127	1	0.5
EDCN4L	End cover, left-hand	3 7/8	98	2 3/4	70	3/4	19	1/2	0.2
EDCN4R	End cover, right-hand	3 7/8	98	2 3/4	70	3/4	19	1/2	0.2

Rev 04/01/19



ELECTRICAL DISTRIBUTORS, FACE-MOUNT

- Face-Mount Electrical Distributors provide single-sided pre-wired electrical distribution throughout workstations.
- Mounts to UltraFrames, Wall Tracks or Solid Panels.
- Duplex receptacles are ordered separately; their interchangeability permits a variety of circuit combinations to configure on site.
- The eight-wire electrical system is UL Listed as a Manufactured Wiring System (UL183) and UL Recognized as an Office Furnishing Accessory (UL1286).
- The system distributes up to four 20 Amp circuits using 20 Amp duplex receptacles.

NOTES

- » Duplex Receptacles sold separately; see page 8.16.
- » Electrical Entry and Jumper Cables sold separately; see page 8.15.
- » Electrical Distributors feeding from a Vertical Distributor require modification of the front cover. Specify a "1" in place of the "0" in the product number depending on left or right side modification, i.e. EDSF4801 (right) and EDSF3610 (left) hand entry.
- » Electrical Distributors meeting in a 90° degree corner or spanning a three or four-way connection, require mitering of the front cover. To specify a mitered cut to the left or right side of the front cover, substitute a "2" in place of the "0" in the product number depending on left or right side modification, i.e. EDSF4802 (right) and EDSF3620 (left) cut cover.
- » To ground dissipative workstation components to the Electrical Distributor order a Electrical Distributor Grounding Kit; see page 5.3.

How to Specify

Step 1. Product Number

EDSF

Step 2. Width

24 24" wide 30 30" wide 36 36" wide
 48 48" wide 60 60" wide 72 72" wide

Step 3. Cut

00 No Cut 01 Right Cut 10 Left Cut
 11 Both Cut 02 Right Miter 20 Left Miter
 22 Both Miter 03 Right Trans 30 Left Trans
 33 Both Trans

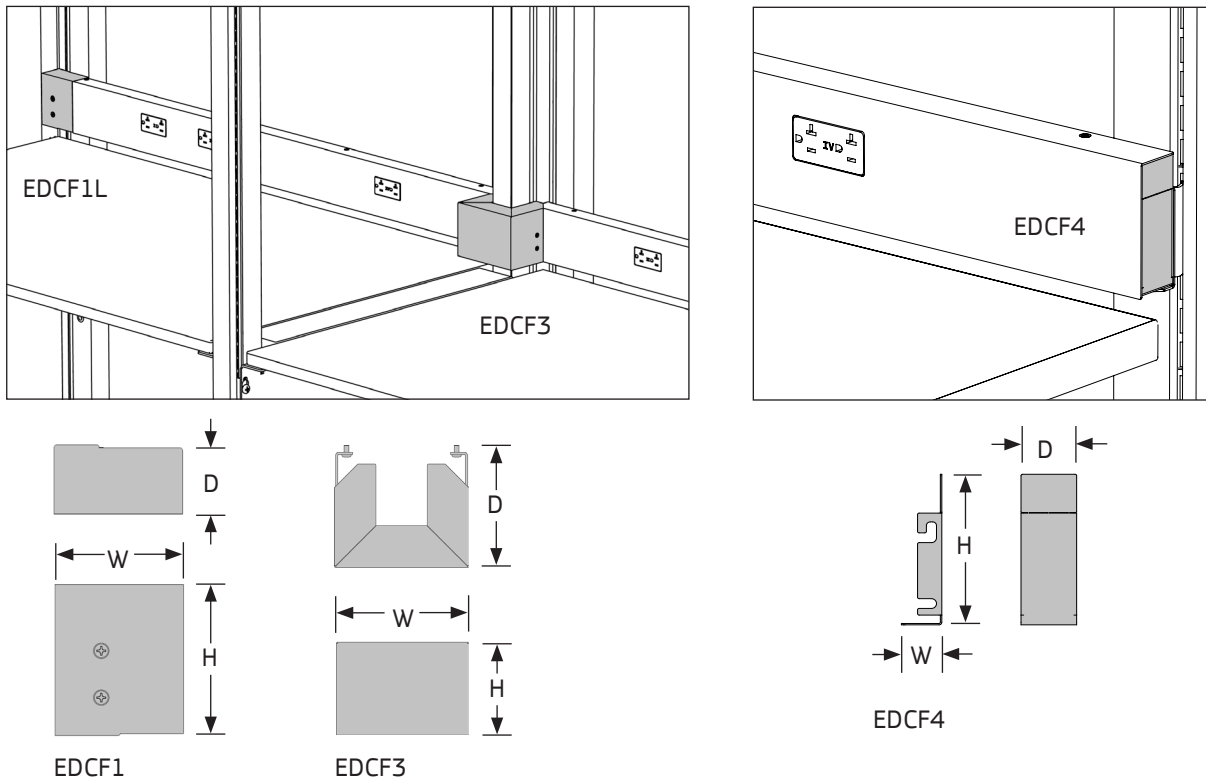
Trans = Transition

Step 4. Paint Color Code

AW Arctic White GL Grey Light Smooth
 AS Argent Silver GT Grey Light Texture
 BK Black NW Neutral White
 BT Black Texture ST Sand Texture

Product Number	Description	Height		Width		Depth		Weight	
		in.	[mm]	in.	[mm]	in.	[mm]	lb.	[kg]
EDSF2400	Single-sided, 1 duplex opening	4	102	24	610	1 ¾	44	5	2.3
EDSF3000	Single-sided, 1 duplex opening	4	102	30	762	1 ¾	44	6	2.7
EDSF3600	Single-sided, 2 duplex openings	4	102	36	914	1 ¾	44	8	3.6
EDSF4800	Single-sided, 3 duplex openings	4	102	48	1219	1 ¾	44	10	4.5
EDSF6000	Single-sided, 4 duplex openings	4	102	60	1524	1 ¾	44	13	5.9
EDSF7200	Single-sided, 4 duplex openings	4	102	72	1829	1 ¾	44	15	6.8

Rev 04/01/19



ELECTRICAL DISTRIBUTOR COVERS, FACE-MOUNT

Distributor Covers

- Face-Mount Electrical Distributor Covers hide conduit connections between Face-Mount Electrical Distributors and/or Vertical Distributors.
- Chase Entry Electrical Distributor Covers mount to Electrical Distributors with a "1" style front modification on the left or right side of the distributor.
- 3-Way frame span Electrical Distributor Covers mount to Electrical Distributors with a "2" style front modification on each distributor at a 3-way frame connection.

End Cover

- As an optional visual cap, the Face-Mount Electrical Distributor End Cover is non-handed and mounts to the end of an Electrical Distributor.
- Includes knock-out tab for power entry.
- Mounts to "0" style (uncut) ends; see page 8.13.

How to Specify

Step 1. Product Number

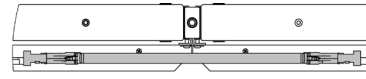
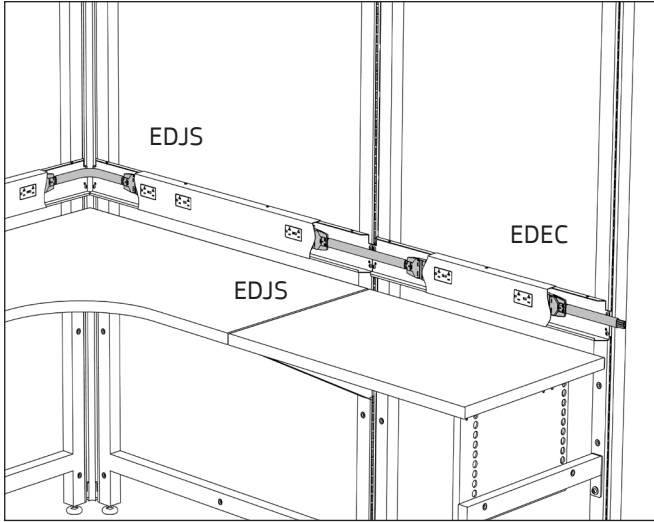
- EDCF1L Chase Entry, left-hand
- EDCF1R Chase Entry, right-hand
- EDCF3 3-Way Frame Span
- EDCF4 End Cover

Step 2. Paint Color Code

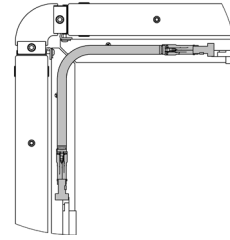
- AW Arctic White
- AS Argent Silver
- BK Black
- BT Black Texture
- GL Grey Light Smooth
- GT Grey Light Texture
- NW Neutral White
- ST Sand Texture

Product Number	Description	Height		Width		Depth		Weight	
		in.	[mm]	in.	[mm]	in.	[mm]	lb.	[kg]
EDCF1L	Chase entry, left-hand	4	102	3 3/8	86	1 3/4	44	1	0.5
EDCF1R	Chase entry, right-hand	4	102	3 3/8	86	1 3/4	44	1	0.5
EDCF3	3-way frame span	4	102	5 1/2	140	4 3/4	121	1	0.5
EDCF4	End cover	3 7/8	98	1	25	1 3/8	35	1/2	0.2

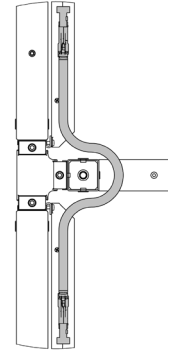
Rev 04/01/19



FRAME TO FRAME (EDJS)



CORNER (EDJS)



THREE OR FOUR-WAY
FRAME SPAN (EDJT)

ELECTRICAL DISTRIBUTOR POWER CABLES

- Metal flex jumpers and entry cables provide power connection of eight-wire, four-circuit Electrical Distributors in various configurations.
- Jumpers and Entry Cables work with all Electrical Distributor styles.
- Electrical Entry Cables require hard-wired connection to building power supply. Each cable is capable of powering 13 Duplex Receptacles per circuit for a total of 52 Duplex Receptacles per Electrical Entry Cable.
- Electrical Jumpers and Entry Cables integrate with an electrical system which is UL Listed as a Manufactured Wiring System (UL183) and UL Recognized as an Office Furnishing Accessory (UL1286).

NOTES

- » Additional Electrical Jumper and Entry Cable lengths available; consult factory.
- » 30" wide electrical distributor requires a longer jumper length on the left end only; specify EDJS6 or EDJT6.

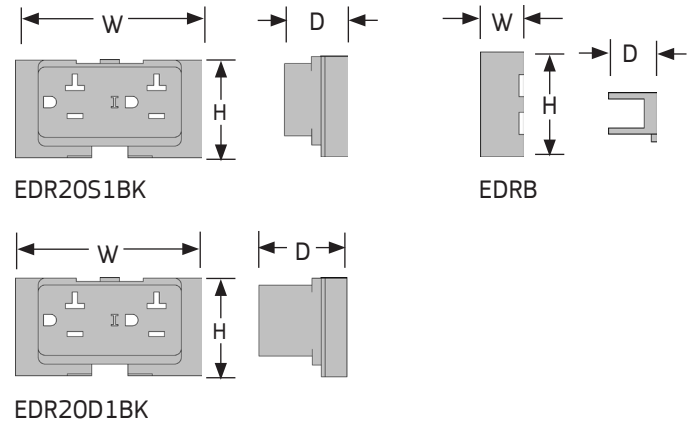
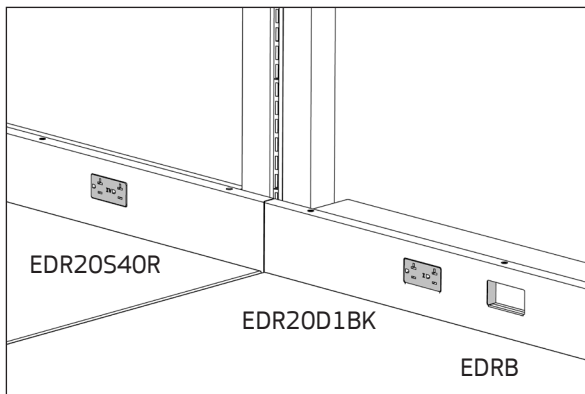
How to Specify

Step 1. Product Number

- EDEC072
- EDEC144
- EDJS
- EDJT
- EDJS6
- EDJT6

Product Number	Description	Width		Weight	
		in.	[mm]	lb.	[kg]
EDEC072	Entry cable	72	1829	3	1
EDEC144	Entry cable	144	3658	6	3
EDJS	Jumper, frame-to-frame or corner	19	483	1	0.5
EDJT	Jumper, three or four-way	27	686	1	0.5
EDJS6	Jumper, 30" wide dist. left end, frame-to-frame or corner	25	635	1	0.5
EDJT6	Jumper, 30" wide dist. left end, three or four-way	33	838	1	0.5

Rev 03/07/13



ELECTRICAL DISTRIBUTOR RECEPTACLES

Duplex Receptacles

- Duplex Receptacles provide access to circuits 1, 2, 3 (black finish) and isolated ground circuit 4 (orange finish) on Electrical Distributors. Receptacles include circuit identification stamped on the face.
- Maximum of 13 per circuit per building source.
- Electrical Distributor cover and/or internal junction block removal is required to install and reconfigure receptacles within the Electrical Distributor.
- Integrates with an eight-wire electrical system, UL Listed as a Manufactured Wiring System (UL183) and UL Recognized as an Office Furnishing Accessory (UL1286).
- Use Single-depth for Face-Mount Electrical Distributors (EDSF) and Inset-Mount Single-Sided Electrical Distributors (EDSN).
- Use Double-depth for Inset-Mount Double-Sided Electrical Distributors (EDDN).

Blank Dust Cover

- Plastic cover slides into the junction block of the Electrical Distributor where the block is not equipped with a Duplex Receptacle.
- Works with all Electrical Distributor styles.
- Finish is Black.

NOTES

- » 15 Amp duplex receptacles are also available; consult factory.

How to Specify

Step 1. Product Number

- EDR20 Electrical Distributor Receptacle
EDRB Electrical Distributor Dust Cover

Step 2. Depth

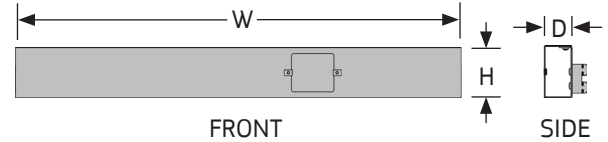
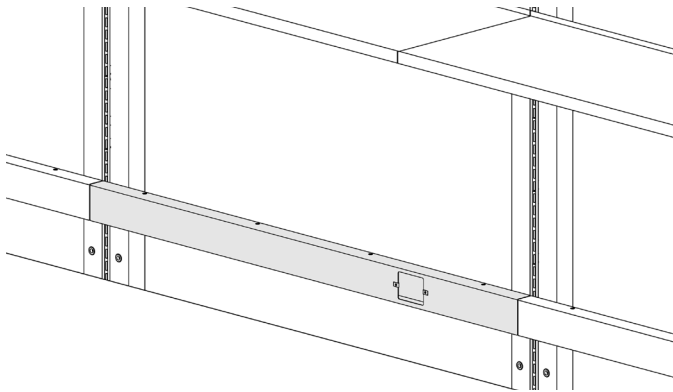
- S Single depth D Double depth

Step 3. Circuit Number

- 1BK Circuit 1, Black
2BK Circuit 2, Black
3BK Circuit 3, Black
4OR Isolated Ground, Orange

Product Number	Description	Height		Width		Depth		Weight	
		in.	[mm]	in.	[mm]	in.	[mm]	lb.	[kg]
EDR20S1BK	Single-depth, circuit 1	1 3/4	44	3 1/2	89	1 1/8	29	1	0.5
EDR20S2BK	Single-depth, circuit 2	1 3/4	44	3 1/2	89	1 1/8	29	1	0.5
EDR20S3BK	Single-depth, circuit 3	1 3/4	44	3 1/2	89	1 1/8	29	1	0.5
EDR20S4OR	Single-depth, circuit 4 isolated ground	1 3/4	44	3 1/2	89	1 1/8	29	1	0.5
EDR20D1BK	Double-depth, circuit 1	1 3/4	44	3 1/2	89	1 5/8	41	1	0.5
EDR20D2BK	Double-depth, circuit 2	1 3/4	44	3 1/2	89	1 5/8	41	1	0.5
EDR20D3BK	Double-depth, circuit 3	1 3/4	44	3 1/2	89	1 5/8	41	1	0.5
EDR20D4OR	Double-depth, circuit 4 isolated ground	1 3/4	44	3 1/2	89	1 5/8	41	2	0.9
EDRB	Dust cover	1 3/4	44	3 1/2	89	1/2	13	1	0.5

Rev 03/20/12



DATA DISTRIBUTORS, FACE-MOUNT

- Face-Mount Data Distributors provide a double-sided chase for routing data cables throughout workstations.
- Mounts to UltraFrames, Wall Track or Solid Panels.
- Cut-outs are sized for faceplates with a 3.28" screw spacing; the clearance in each opening is 2.84" W by 2.25" H. Faceplates and data jacks are not included. Two #6-32 clip-on nuts are included per opening for faceplate fastening.
- The pass-thru area between adjacent Face-Mount Data Distributors is approximately 3.8 in.²

NOTES

- » Data Distributors feeding from a Vertical Distributor require modification of the front cover. Specify a "1" in place of one of the "0" in the product number, depending on the left or right side modification; i.e. DDF3601 (right) or DDF3610 (left) hand entry.
- » Data Distributors meeting in a 90° corner or spanning a three- or four-way connection require mitering of the front cover. Specify a "2" in place of one of the "0" in the product number, depending on left or right side modification; i.e. DDF4802 (right) or DDF3620 (left) miter.

How to Specify

Step 1. Product Number

DDF

Step 2. Width

24 24" wide 30 30" wide 36 36" wide
 48 48" wide 60 60" wide 72 72" wide

Step 3. Cut

00 No Cut 01 Right Cut 10 Left Cut
 11 Both Cut 02 Right Miter 20 Left Miter
 22 Both Miter 03 Right Trans 30 Left Trans
 33 Both Trans

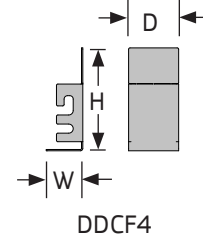
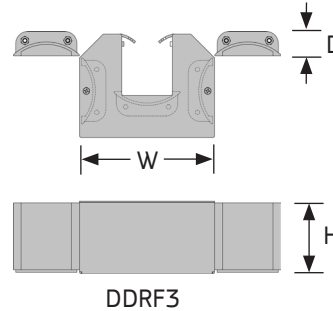
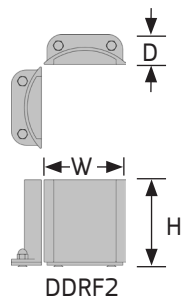
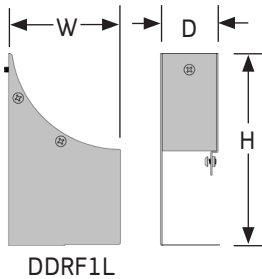
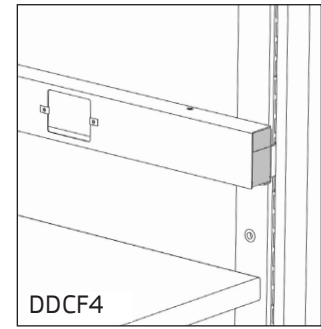
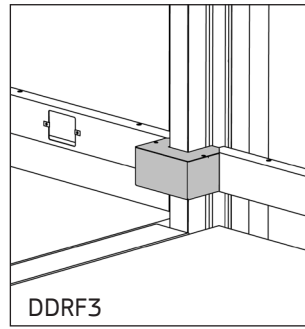
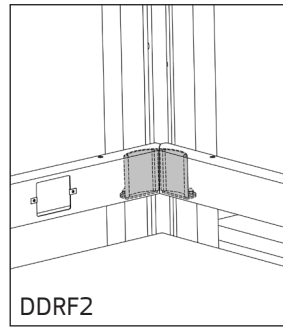
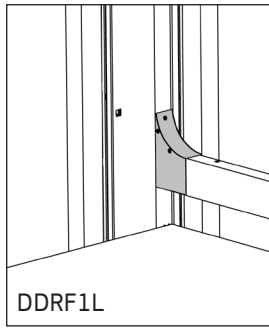
Trans = Transition

Step 4. Paint Color Code

AW Arctic White GL Grey Light Smooth
 AS Argent Silver GT Grey Light Texture
 BK Black NW Neutral White
 BT Black Texture ST Sand Texture

Product Number	Description	Height		Width		Depth		Weight	
		in.	[mm]	in.	[mm]	in.	[mm]	lb.	[kg]
DDF2400	Double-sided, 1 faceplate cutout/side	3	76	24	610	1 3/4	44	3	1.4
DDF3000	Double-sided, 1 faceplate cutout/side	3	76	30	762	1 3/4	44	4	1.8
DDF3600	Double-sided, 1 faceplate cutout/side	3	76	36	914	1 3/4	44	5	2.3
DDF4800	Double-sided, 1 faceplate cutout/side	3	76	48	1219	1 3/4	44	7	3.2
DDF6000	Double-sided, 2 faceplate cutout/side	3	76	60	1524	1 3/4	44	8	3.6
DDF7200	Double-sided, 2 faceplate cutout/side	3	76	72	1829	1 3/4	44	10	4.5

Rev 04/01/19



DATA DIST. ROUTERS/END COVERS, FACE-MOUNT

Router

- Face-Mount Data Distributor Routers guide cables at a 2" radius between Face-Mount Data Distributors and/or Vertical Distributors.
- Chase Entry Data Distributor Routers mount to Data Distributors with a "1" style front modification on the left or right side of the distributor.
- Two-way Corner and Three-way Frame Span Data Distributor Routers mount to Data Distributors with a "2" style front modification on each distributor.

End Cover

- As an optional visual cap, the End Cover can be added to the left or right end (specify L/R) of a Data Distributor.
- Includes knock-out tab for cable entry.
- Mounts to "0" style (uncut) ends; see page 8.17.

NOTES

- » DDRF2 contains internal guides and required mounting hardware and does not have a color finish option.

How to Specify

Step 1. Product Number

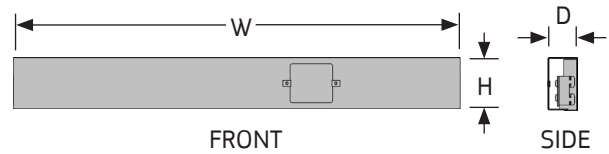
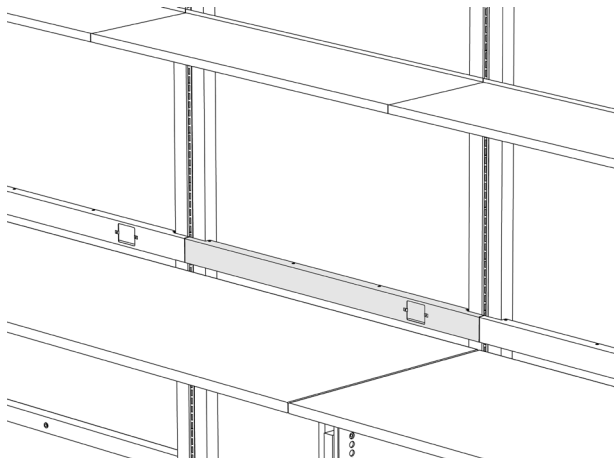
- DDRF1L Chase Entry, left-hand
- DDRF1R Chase Entry, right-hand
- DDRF2 2-Way Corner
- DDRF3 3-Way Frame Span
- DDCF4 End Cover

Step 2. Paint Color Code

- AW Arctic White
- AS Argent Silver
- BK Black
- BT Black Texture
- GL Grey Light Smooth
- GT Grey Light Texture
- NW Neutral White
- ST Sand Texture

Product Number	Description	Height		Width		Depth		Weight	
		in.	[mm]	in.	[mm]	in.	[mm]	lb.	[kg]
DDRF1L	Chase entry, left-hand	6	152	3 3/8	86	1 3/4	44	1	0.5
DDRF1R	Chase entry, right-hand	6	152	3 3/8	86	1 3/4	44	1	0.5
DDRF2	Two-way corner	3	76	3 3/4	95	3 3/4	95	1	0.5
DDRF3	Three-way frame span	3	76	5 1/2	140	10 3/4	273	2	0.9
DDCF4	End cover	2 7/8	73	1	25	1 3/8	35	1/2	0.2

Rev 06/10/24



DATA DISTRIBUTORS, INSET-MOUNT

- Inset-Mount Data Distributors provide a double-sided chase for routing data cables throughout workstations.
- Mounts only to UltraFrames; will also fit behind surfaces to function as a surface backstop.
- Cut-outs are sized for faceplates with a 3.28" screw spacing; the clearance in each opening is 2.84" wide by 2.25" high. Faceplates and data jacks are not included. Two #6-32 clip-on nuts are included per opening for faceplate fastening.
- The pass-thru area between adjacent Inset-Mount Data Distributors is approximately 1.5 in.²

NOTES

- » Data Distributors feeding from a Vertical Distributor require modification of the front cover. Specify a "1" in place of one of the "0" in the product number, depending on the left or right side modification; i.e. DDN4801 (right) or DDN3610 (left) hand entry.

How to Specify

Step 1. Product Number

DDN

Step 2. Width

24 24" wide 30 30" wide 36 36" wide
 48 48" wide 60 60" wide

Step 3. Cut

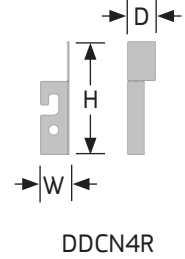
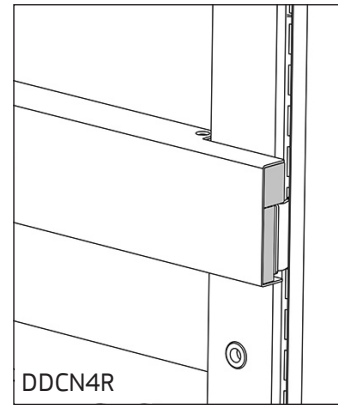
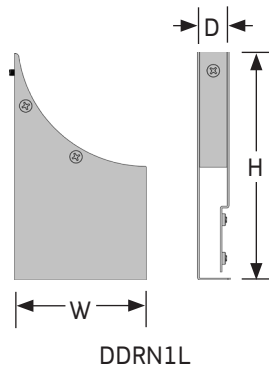
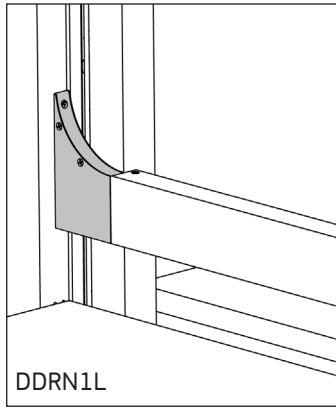
00 No Cut 01 Right Cut 10 Left Cut
 11 Both Cut

Step 4. Paint Color Code

AW Arctic White GL Grey Light Smooth
 AS Argent Silver GT Grey Light Texture
 BK Black NW Neutral White
 BT Black Texture ST Sand Texture

Product Number	Description	Height		Width		Depth		Weight	
		in.	[mm]	in.	[mm]	in.	[mm]	lb.	[kg]
DDN2400	Double-sided, 1 faceplate cutout/side	3	76	24	610	1 ¾	44	3	1.4
DDN3000	Double-sided, 1 faceplate cutout/side	3	76	30	762	1 ¾	44	4	1.8
DDN3600	Double-sided, 1 faceplate cutout/side	3	76	36	914	1 ¾	44	5	2.3
DDN4800	Double-sided, 1 faceplate cutout/side	3	76	48	1219	1 ¾	44	6	2.7
DDN6000	Double-sided, 2 faceplate cutouts/side	3	76	60	1524	1 ¾	44	8	3.6

Rev 04/01/19



DATA DIST. ROUTERS/END COVERS, INSET-MOUNT

Routers

- Data Distributor Routers guide cables at a 2" radius between Inset-Mount Data Distributors and Vertical Distributors.
- Chase Entry Data Distributor Router mounts to Data Distributors with a "1" style front modification on either the left or right side of the distributor.

End Cover

- As an optional visual cap, the Inset-Mount Data Distributor End Cover can be added to the left or right end (specify L/R) of a Data Distributor.
- Includes knock-out tab for cable entry.
- Mounts to "0" style (uncut) ends; see page 8.19.

How to Specify

Step 1. Product Number

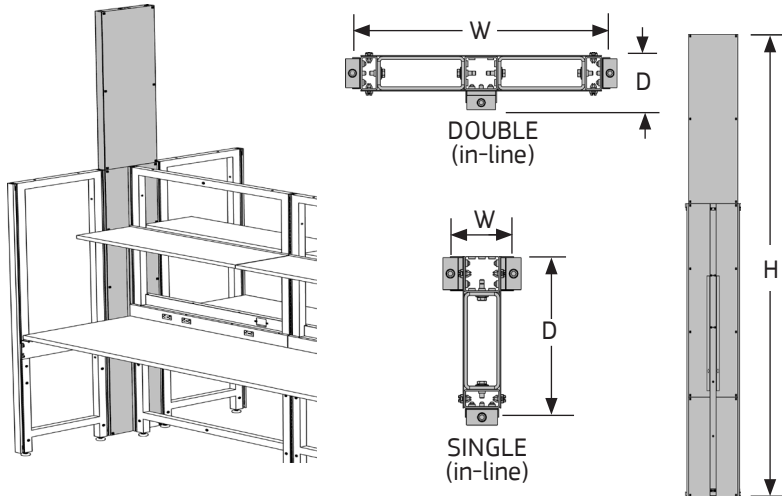
- DDRN1L Chase Entry, left-hand
- DDRN1R Chase Entry, right-hand
- DDCN4L End Cover, left-hand
- DDCN4R End Cover, right-hand

Step 2. Paint Color Code

- AW Arctic White
- AS Argent Silver
- BK Black
- BT Black Texture
- GL Grey Light Smooth
- GT Grey Light Texture
- NW Neutral White
- ST Sand Texture

Product Number	Description	Height		Width		Depth		Weight	
		in.	[mm]	in.	[mm]	in.	[mm]	lb.	[kg]
DDRN1L	Chase entry, left-hand	3	76	3 3/8	86	3/4	19	1	0.5
DDRN1R	Chase entry, right-hand	3	76	3 3/8	86	3/4	19	1	0.5
DDCN4L	End cover, left-hand	2 7/8	73	3/4	19	3/4	19	1/2	0.2
DDCN4R	End cover, right-hand	2 7/8	73	3/4	19	3/4	19	1/2	0.2

Rev 04/01/19



VERTICAL DISTRIBUTORS

- Vertical Distributors connect UltraFrames with Glides or Panels at 90° angles while providing concealed single/double chases for dropping electrical and data supply cables.
- Chase area has a cross-sectional 1.64" x 4.37" cable clearance.
- Cover panels are secured with ¼-turn fasteners enabling easy access to installed cabling.
- Allows entry of power and data cables into Electrical and/or Data Distributors in adjustable heights from 30" to 60" above the floor. Access Panels vary between Inset-Mount and Face-Mount style Electrical and Data Distributors.
- Can be configured in the field to connect 48", 62" or 80" high UltraFrames or Panels.

NOTES

- » For transitions between Electrical and Vertical Distributors, specify Electrical Distributors with a chase entry cut end; see pages 8.11-8.12. To order Electrical Distributor Chase Entry Cover, consult factory.
- » For transitions and cable bend radius control between Data and Vertical Distributors, specify Data Distributors with a chase entry cut end; see pages 8.15-8.16. To order Data Distributor Entry Router separately, consult factory.

How to Specify

Step 1. Product Number

VD126

Step 2. Single/Double

S Single D Double (in-line version only)

Step 3. Way

280 2-way, 80" Single only
 380 3-way, 80" Single/Double
 480 4-way, 80" Single/Double

Step 4. Access

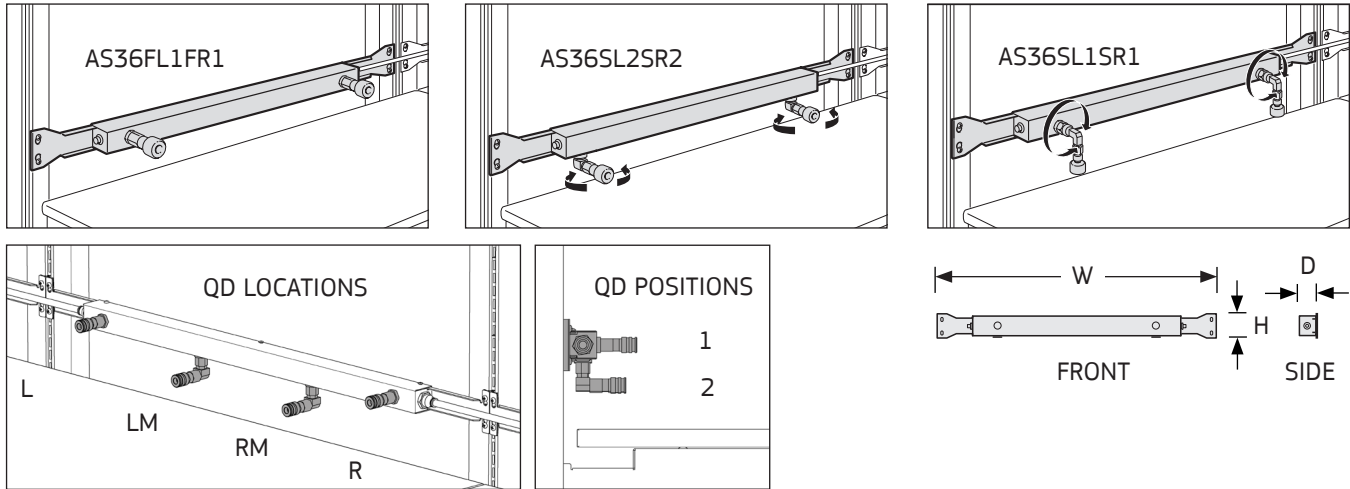
FM Face-Mount, in-line
 FH Face-Mount, end
 NM Inset-Mount, in-line
 NH Inset-Mount, end

Step 5. Paint Color Code

AW Arctic White GL Grey Light Smooth
 AS Argent Silver GT Grey Light Texture
 BK Black NW Neutral White
 BT Black Texture ST Sand Texture

Product Number	Description	Height		Width		Depth		Weight	
		in.	[mm]	in.	[mm]	in.	[mm]	lb.	[kg]
VD126D380FM	Double, 3-way, face-mount access	126	3200	15 ½	394	2 ¾	70	129	58.5
VD126D380NM	Double, 3-way, inset-mount access	126	3200	15 ½	394	2 ¾	70	129	58.5
VD126D480FM	Double, 4-way, face-mount access	126	3200	15 ½	394	3 ½	89	137	62.1
VD126D480NM	Double, 4-way, inset-mount access	126	3200	15 ½	394	3 ½	89	137	62.1
VD126S280FH	Single, 2-way, face-mount access	126	3200	2 ¾	70	8 ¾	222	80	36.3
VD126S280NH	Single, 2-way, inset-mount access	126	3200	2 ¾	70	8 ¾	222	80	36.3
VD126S380FH	Single, 3-way, face-mount access	126	3200	2 ¾	70	9 ½	241	84	38.1
VD126S380FM	Single, 3-way, face-mount access	126	3200	3 ½	89	8 ¾	222	85	38.6
VD126S380NH	Single, 3-way, inset-mount access	126	3200	2 ¾	70	9 ½	241	84	38.1
VD126S380NM	Single, 3-way, inset-mount access	126	3200	3 ½	89	8 ¾	222	85	38.6
VD126S480FM	Single, 4-way, face-mount access	126	3200	3 ½	89	9 ½	241	89	40.4
VD126S480NM	Single, 4-way, inset-mount access	126	3200	3 ½	89	9 ½	241	89	40.4

Rev 04/01/19



AIR STRIPS

- Air Strips distribute compressed air or low pressure vacuum service in workstations.
- Each strip includes two single swivel or two single fixed ¼" Quick Disconnect Fittings in locations left front (L1) and right front (R1) or left bottom (L2) and right bottom (R2). Other combinations can be field installed by purchasing additional components.
- Includes bulkhead unions on each end with push-in fittings for ½" OD tube for connection of adjacent strips and connection to building air sources.

NOTES

- » Compressed Air Entry/End Kits (CAEK) and Compressed Air Tube Kits (CATK) sold separately; see page 8.23.
- » Additional Quick Disconnect (QD) Fittings and accessories sold separately; for field installation of other combinations of fittings see page 8.23.
- » Only 48" and 60" Air Strips have left middle (LM) and right middle (RM) locations for QD fittings. They install in position 2 only. The 24", 30" and 36" strips can accommodate two QD fittings; 48" and 60" accommodate up to four QD fittings.
- » For additional fitting options consult factory.

How to Specify

Step 1. Product Number

AS

Step 2. Width

24 24" wide 30 30" wide 36 36" wide
 48 48" wide 60 60" wide

Step 3. Fitting Type

FL1FR1 Fixed, front
 SL1SR1 Swivel, front
 SL2SR2 Swivel, bottom

Step 4. Paint Color Code

AW Arctic White GL Grey Light Smooth
 AS Argent Silver GT Grey Light Texture
 BK Black NW Neutral White
 BT Black Texture ST Sand Texture

Product Number	Description	Height		Width		Depth		Weight	
		in.	[mm]	in.	[mm]	in.	[mm]	lb.	[kg]
AS24FL1FR1	Fixed left & right, front	3 ¼	83	24	610	2	51	11	5.0
AS24SL1SR1	Swivel left & right, front	3 ¼	83	24	610	2	51	11	5.0
AS24SL2SR2	Swivel left & right, bottom	3 ¼	83	24	610	2	51	11	5.0
AS30FL1FR1	Fixed left & right, front	3 ¼	83	30	762	2	51	12	5.4
AS30SL1SR1	Swivel left & right, front	3 ¼	83	30	762	2	51	12	5.4
AS30SL2SR2	Swivel left & right, bottom	3 ¼	83	30	762	2	51	12	5.4
AS36FL1FR1	Fixed left & right, front	3 ¼	83	36	914	2	51	13	5.9
AS36SL1SR1	Swivel left & right, front	3 ¼	83	36	914	2	51	13	5.9
AS36SL2SR2	Swivel left & right, bottom	3 ¼	83	36	914	2	51	13	5.9
AS48FL1FR1	Fixed left & right, front	3 ¼	83	48	1219	2	51	14	6.4
AS48SL1SR1	Swivel left & right, front	3 ¼	83	48	1219	2	51	14	6.4
AS48SL2SR2	Swivel left & right, bottom	3 ¼	83	48	1219	2	51	14	6.4
AS60FL1FR1	Fixed left & right, front	3 ¼	83	60	1524	2	51	15	6.8
AS60SL1SR1	Swivel left & right, front	3 ¼	83	60	1524	2	51	15	6.8
AS60SL2SR2	Swivel left & right, bottom	3 ¼	83	60	1524	2	51	15	6.8

Rev 04/01/19

COMPRESSED AIR ACCESSORIES

Compressed Air Entry/End Kits (CAEK)

- CAEKs provide air connection to building air supplies and provide termination for runs. One kit is required for each entry and end of single or multiple runs of Tool Travelers with Air or Air Strips. Kits include 60" of 1/2" OD nylon tubing, a 1/4" by 3/8" FPT nipple, a 1/2" push-in by 3/8" MPT straight adapter and a termination plug.

Compressed Air Tube Kits (CATK)

- CATKs provide additional tubing to install compressed air service to workstations; order to connect adjacent Air Strips in a run. Kits include fifty feet of 1/2" OD nylon tubing and a Tube Cutter.

Compressed Air Coiled Tube Kits (CAC)

- CACs provide for flexible delivery of compressed air from Tool Travelers with Air to air tools in workstations. Kits include 60" of 1/4" ID coiled poly tube with a 1/4" Quick Disconnect fitting on one end for attachment to an air tool and a 1/4" push-in by 1/4" MPT straight adapter on other end for attachment to the Tool Traveler Car.

Tube Cutters (TCUT)

- Required to make straight cuts in nylon tube for proper connection of air fittings on Tool Travelers with Air or Air Strips.

Termination Plugs (TPLUG)

- Plastic plugs enclose the ends of 1/2" OD nylon tube to terminate air runs.

NPT Straight Adapters (NPT)

- The 1/2" push-in by 3/8" MPT straight adapters attach to the 1/2" OD nylon tube on Tool Travelers with Air or Air Strips allowing connection to building air supplies.

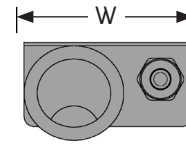
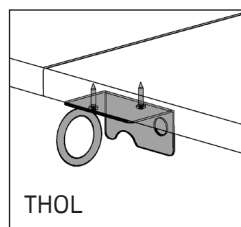
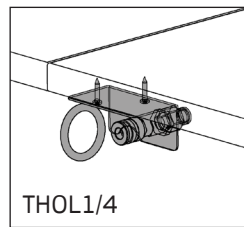
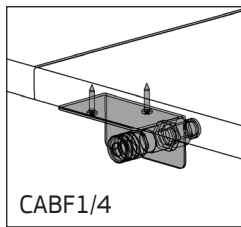
How to Specify

Step 1. Product Number

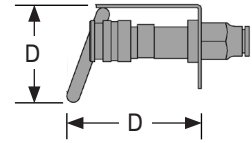
CAEK	CATK
CAC	TCUT
TPLUG	NPT
ELB1/2	TEE1/2

Product Number	Description	Weight	
		lb.	[kg]
CAEK	Compressed air entry/end kit	2	0.9
CATK	Compressed air tube kit	15	6.8
CAC	Compressed air coil tube kit	3	1.4
TCUT	Tube cutter	1	0.5
TPLUG	Termination plug, five pack	1	0.5
NPT	NPT straight adapter, five pack	1	0.5
ELB1/2	Elbow connector 90 degree	1	0.5
TEE1/2	Tee connector three-way	1	0.5

Rev 06/10/24



FRONT



SIDE

AIR BRACKETS, SURFACE-MOUNT

Tool Holster Brackets (THOL)

- Brackets suspend small hand tools beneath surfaces.

Tool Holster Brackets with Compressed Air (THOL^{1/4})

- Brackets suspend small air tools beneath surfaces.
- Includes a fixed 1/4" Quick Disconnect Fitting, 72" of 1/2" tubing, a 1/2" push-in by 3/8" MPT straight adapter and a 1/4" by 3/8" FPT nipple.
- Assemblies connect to Quick Disconnect Fittings, Air Strip bulkhead fittings or building supplies.

Surface Brackets with Compressed Air (CABF^{1/4})

- Brackets suspend compressed air Quick Disconnect Fittings beneath surfaces.
- Includes a fixed 1/4" Quick Disconnect Fitting, 72" of 1/2" tubing, a 1/2" push-in by 3/8" MPT straight adapter and a 1/4" by 3/8" FPT nipple.
- Assemblies connect to Quick Disconnect Fittings, Air Strip bulkhead fittings or building supplies.

NOTES

- » Finish is stainless steel on all brackets.

How to Specify

Step 1. Product Number

THOL	Tool Holster
THOL ^{1/4}	Tool Holster, air
CABF ^{1/4}	Surface Bracket, air

Product Number	Description	Height		Width		Depth		Weight	
		in.	[mm]	in.	[mm]	in.	[mm]	lb.	[kg]
THOL	Tool holster	2 1/2	64	4	102	3 1/4	83	3	1.4
THOL ^{1/4}	Tool holster, air	2 1/2	64	4	102	3 1/4	83	6	2.7
CABF ^{1/4}	Surface bracket, air	2	51	4	102	2 1/2	64	6	2.7

Rev 01/29/09