

STORAGE AND DISPLAY

Tackboards..... 7.2

Pegboards 7.3

Magnetic White Boards..... 7.4

Storage Cabinets 7.5

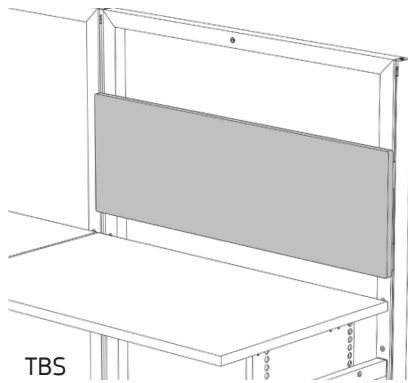
Pedestals, Hanging and Mobile 7.6

Pencil Drawer 7.7

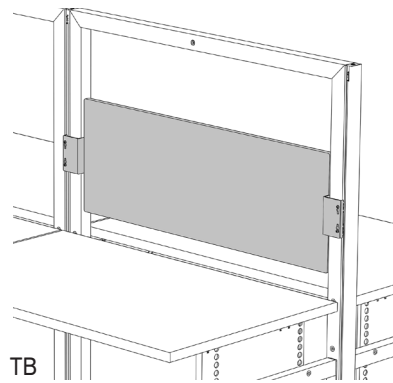
Accessory Mounting Brackets..... 7.8

Utility Dispenser Mounting Bracket..... 7.9

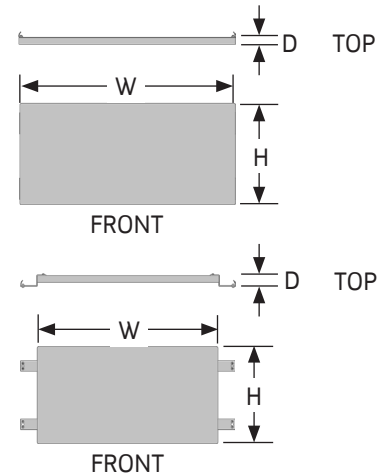




TBS
(single-sided)



TB
(double-sided)



TACKBOARDS

- Tackboards provide for the display of notes, prints, drawings and other items in workstations.
- Opposite side of Single-Sided Tackboards are finished with cardboard backers.
- Double-Sided Tackboards mount within the openings of UltraFrames and ErgoStat® Riser Frames with color matched brackets. Fabric encases the core material for a frameless appearance.

NOTES

- » Double-Sided Tackboards cannot be mounted to solid panels.
- » Two Single-Sided Tackboards cannot be mounted level with each other in a corner condition. Two Double-Sided Tackboards can be mounted in a corner condition.
- » Customer's Own Material (COM) is accepted. Consult factory.

How to Specify

Step 1. Product Number

- TBS15 Tackboard, single-sided
- TB15 Tackboard, double-sided

Step 2. Width

- 24 24" wide 30 30" wide 36 36" wide
- 48 48" wide 60 60" wide

Step 3. Bracket Paint Finish

Double-Sided Tackboards only

- AW Arctic White GL Grey Light Smooth
- AS Argent Silver GT Grey Light Texture
- BK Black NW Neutral White
- BT Black Texture ST Sand Texture

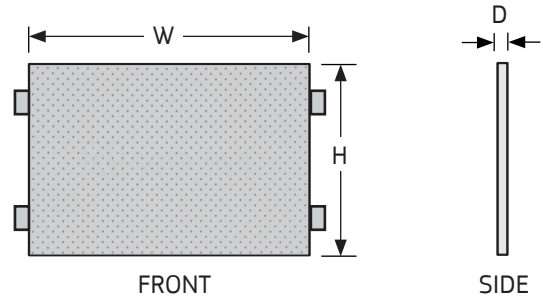
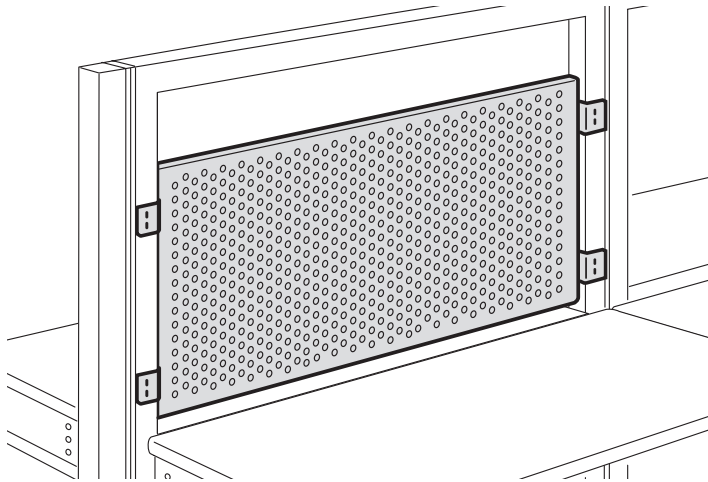
Step 4. Fabric color

Standard Fabrics

- A2035 Angora A2079 Graphite
- A2053 Asteroid A2691 Waterfall
- A2047 Eucalyptus M031 Cement
- A2084 Geranium M024 Subway

Product Number	Description	Height		Width		Depth		Weight	
		in.	[mm]	in.	[mm]	in.	[mm]	lb.	[kg]
TBS1524	Single-sided	15 ½	394	24	610	1	25	4	1.8
TBS1530	Single-sided	15 ½	394	30	762	1	25	5	2.3
TBS1536	Single-sided	15 ½	394	36	914	1	25	6	2.7
TBS1548	Single-sided	15 ½	394	48	1219	1	25	7	3.2
TBS1560	Single-sided	15 ½	394	60	1524	1	25	8	3.6
TB1524	Double-sided	15	381	24	610	1	25	7	3.2
TB1530	Double-sided	15	381	30	762	1	25	9	4.1
TB1536	Double-sided	15	381	36	914	1	25	11	5.0
TB1548	Double-sided	15	381	48	1219	1	25	14	6.4
TB1560	Double-sided	15	381	60	1524	1	25	20	9.1

Rev 04/01/19



PEGBOARDS

- Pegboards provide for the display of tools and work aids in workstations.
- Pegboards are formed of steel and feature 1/8" dimpled holes.
- Pegboards mount within the openings of UltraFrames and ErgoStat® Riser Frames with four brackets.
- Dissipative Pegboards each include an ESD Cable Kit Assembly for grounding.
- Load capacity 100 lbs. evenly distributed.

NOTES

- » Pegboards are single-sided; items cannot be hung from the opposite side.
- » Pegboards cannot be mounted to solid Panels.
- » Two Pegboards can be mounted back-to-back in a single frame opening. Pegboards cannot be mounted back-to-back with Double-Sided Tackboards or Magnetic White Boards.

How to Specify

Step 1. Product Number

PB24

Step 2. Width

24 24" wide 30 30" wide 36 36" wide
 48 48" wide 60 60" wide

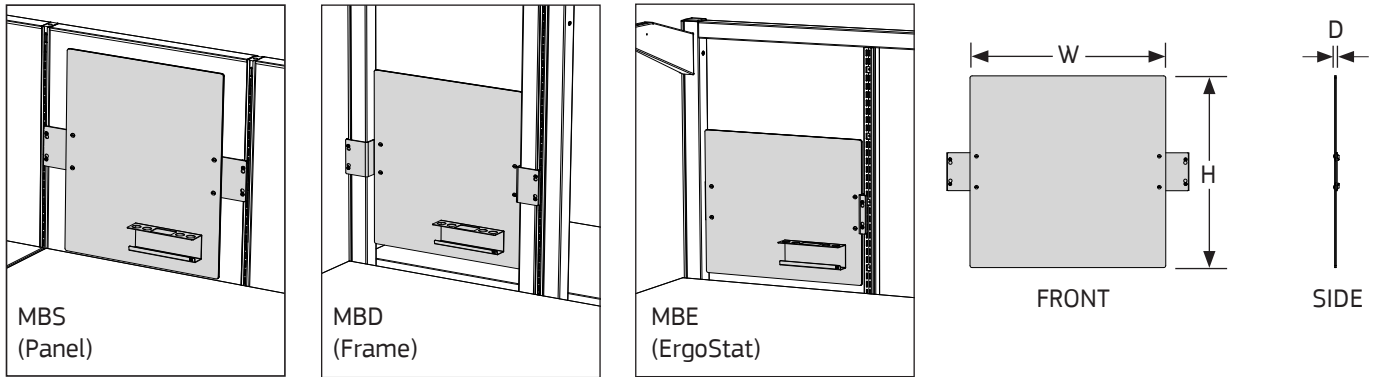
Step 3. Paint Color Code

STANDARD

- | | |
|------------------|-----------------------|
| AW Arctic White | GL Grey Light Smooth |
| AS Argent Silver | GT Grey Light Texture |
| BK Black | NW Neutral White |
| BT Black Texture | ST Sand Texture |

Product Number	Description	Height		Width		Depth		Weight	
		in.	[mm]	in.	[mm]	in.	[mm]	lb.	[kg]
PB2424	Pegboard	24	610	18 1/4	464	3/4	19	9	4.1
PB2430	Pegboard	24	610	24 1/4	616	3/4	19	13	5.9
PB2436	Pegboard	24	610	30 1/4	768	3/4	19	15	6.8
PB2448	Pegboard	24	610	42 1/4	1073	3/4	19	20	9.1
PB2460	Pegboard	24	610	54 1/4	1378	3/4	19	25	11.3

Rev 04/01/19



MAGNETIC WHITE BOARDS

- Each board provides a white erasable writing surface and magnetic capability on either one or two sides of the workstation.
- Frame-mount and ErgoStat® White Boards mount within the opening of UltraFrames and ErgoStat Riser Frames with two color-matched brackets (MBS, MBD) and one color-matched bracket (MBE).
- Frame-mount board brackets allow for boards to be mounted centered or flush with one side of the frame.
- Each White Board includes a color-matched magnetic marker tray and color-matched bracket/s.

NOTES

- » Frame-Mount White Boards cannot be mounted to solid Panels.
- » ErgoStat Magnetic White Boards can only be mounted on Riser Frames.

How to Specify

Step 1. Product Number

- MBS24** Magnetic White board, panel-mount
- MBD24** Magnetic White board, frame-mount
- MBE18** Magnetic Whiteboard, ErgoStat

Step 2. Width

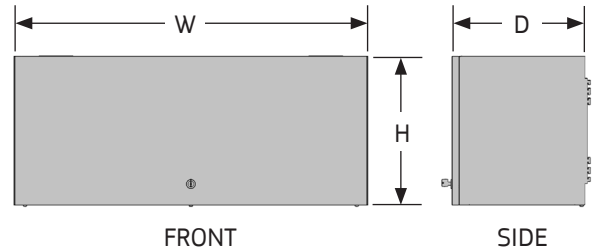
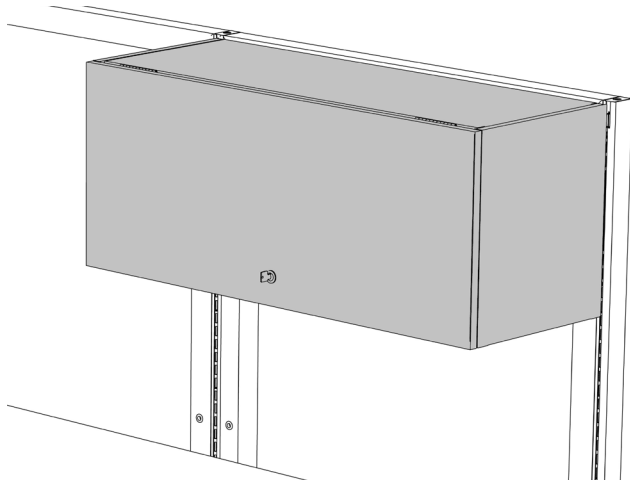
- 24** 24" wide **30** 30" wide **36** 36" wide
- 48** 48" wide **60** 60" wide

Step 3. Paint Color Code

- AW** Arctic White **GL** Grey Light Smooth
- AS** Argent Silver **GT** Grey Light Texture
- BK** Black **NW** Neutral White
- BT** Black Texture **ST** Sand Texture

PRODUCT NUMBER	DESCRIPTION	HEIGHT		WIDTH		DEPTH		WEIGHT	
		IN.	[MM]	IN.	[MM]	IN.	[MM]	LB.	[KG]
MBS2424	Magnetic white board, panel-mount	23 ¾	603	18 ¼	464	0	4	7	3
MBS2430	Magnetic white board, panel-mount	23 ¾	603	24 ¼	616	0	4	8	4
MBS2436	Magnetic white board, panel-mount	23 ¾	603	30 ¼	768	0	4	9	4
MBS2448	Magnetic white board, panel-mount	23 ¾	603	42 ¼	1073	0	4	12	5
MBS2460	Magnetic white board, panel-mount	23 ¾	603	54 ¼	1378	0	4	15	7
MBD2424	Magnetic white board, frame-mount	23 ¾	603	18 ¼	464	0	4	7	3
MBD2430	Magnetic white board, frame-mount	23 ¾	603	24 ¼	616	0	4	8	4
MBD2436	Magnetic white board, frame-mount	23 ¾	603	30 ¼	768	0	4	10	4
MBD2448	Magnetic white board, frame-mount	23 ¾	603	42 ¼	1073	0	4	12	6
MBD2460	Magnetic white board, frame-mount	23 ¾	603	54 ¼	1378	0	4	15	7
MBE1824	Magnetic whiteboard, ErgoStat	17 ¾	451	20 ¼	514	0	4	6	3
MBE1830	Magnetic whiteboard, ErgoStat	17 ¾	451	26 ¼	667	0	4	7	3
MBE1836	Magnetic whiteboard, ErgoStat	17 ¾	451	32 ¼	819	0	4	8	4

Rev 10/28/20



STORAGE CABINETS

- Storage Cabinets provide secure storage in workstations.
- Steel assemblies each include two shelf ends, a bottom shelf, one door unit including top and a back panel.
- Doors retract above the top panel and are equipped with individual key locks for security.
- Storage cabinets meet or exceed ANSI-BIFMA standards for safety and reliability.

NOTES

- » Storage Cabinet doors are keyed randomly and differently from the other. Contact factory for other keying options. Available key numbers are UM226 thru UM425.

How to Specify

Step 1. Product Number

SCA

Step 2. Width

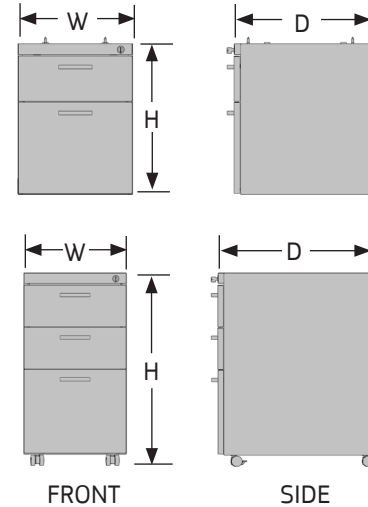
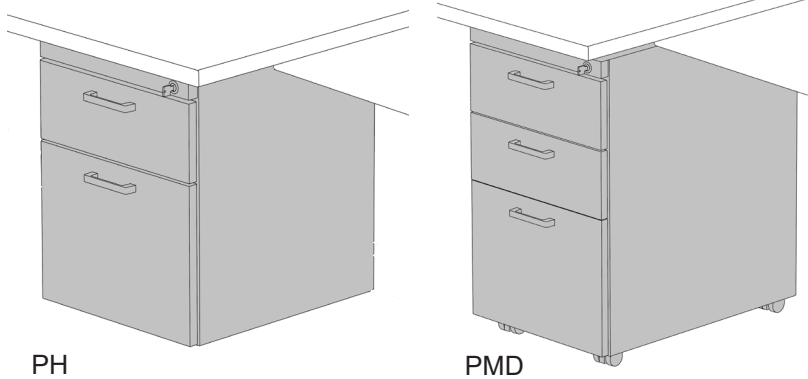
24 24" wide 30 30" wide 36 36" wide
 48 48" wide 60 60" wide

Step 3. Paint Color Code

AW Arctic White	GL Grey Light Smooth
AS Argent Silver	GT Grey Light Texture
BK Black	NW Neutral White
BT Black Texture	ST Sand Texture

Product Number	Description	Height		Width		Depth		Weight	
		in.	[mm]	in.	[mm]	in.	[mm]	lb.	[kg]
SCA24	Storage cabinet	15	381	24	610	13 ½	343	38	17.2
SCA30	Storage cabinet	15	381	30	762	13 ½	343	42	19.1
SCA36	Storage cabinet	15	381	36	914	13 ½	343	49	22.2
SCA48	Storage cabinet	15	381	48	1219	13 ½	343	58	26.3
SCA60	Storage cabinet	15	381	60	1524	13 ½	343	68	30.8

Rev 01/16/20



PEDESTALS, HANGING AND MOBILE

- Double-wall drawer fronts and drawer sides.
- Drawers feature ball-bearing slides with quick disconnect and anti-rebound features (full-extension slides on file drawers, $\frac{3}{4}$ extension on box drawers).
- Pedestals meet or exceed ANSI-BIFMA standards for safety and reliability.
- Mobile Pedestals include two front locking black casters, two rear non-locking black casters and have a solid metal top.
- Load capacity up to 50 lbs. per drawer; not to exceed 150 lbs. per unit.

NOTES

- » Other drawer depths available; consult factory.
- » Pedestal drawers are keyed randomly and differently from the other. Contact factory for other keying options. Available key numbers are UM226 thru UM425.

How to Specify

Step 1. Product Number

PH	Ped, Hanging
PMD	Ped, Mobile

Step 2. Drawer Configuration

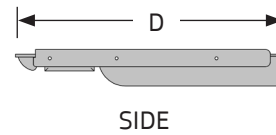
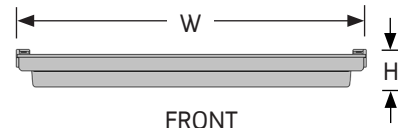
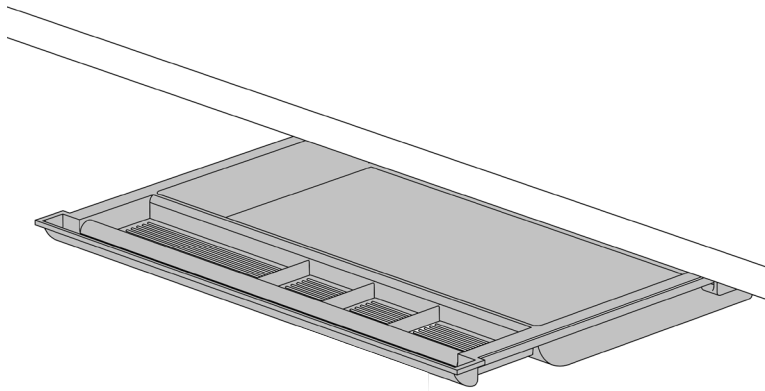
HANGING		MOBILE
12	1212	1212
612	6612	612
6	66	666
666	6666	6666

Step 3. Paint Color Code

BK	Black
GL	Grey Light Smooth
NW	Neutral White

Product Number	Description	Height		Width		Depth		Weight	
		in.	[mm]	in.	[mm]	in.	[mm]	lb.	[kg]
PH12	Ped, hanging file	13 $\frac{5}{8}$	346	15	381	18	457	28	12.7
PH1212	Ped, hanging file/file	25 $\frac{5}{8}$	651	15	381	18	457	49	22.2
PH612	Ped, hanging box/file	19 $\frac{5}{8}$	498	15	381	18	457	41	18.6
PH6612	Ped, hanging box/box/file	25 $\frac{5}{8}$	651	15	381	18	457	53	24.0
PH6	Ped, hanging box	7 $\frac{5}{8}$	194	15	381	18	457	22	10.0
PH66	Ped, hanging box/box	13 $\frac{5}{8}$	346	15	381	18	457	33	15.0
PH666	Ped, hanging box/box/box	19 $\frac{5}{8}$	498	15	381	18	457	45	20.4
PH6666	Ped, hanging box/box/box/box	25 $\frac{5}{8}$	651	15	381	18	457	55	24.9
PMD1212	Mobile ped, file/file	27 $\frac{1}{2}$	694	15	381	22	559	84	38.1
PMD612	Mobile ped, box/file	22 $\frac{3}{8}$	568	15	381	22	559	70	31.8
PMD6612	Mobile ped, box/box/file	27 $\frac{1}{2}$	694	15	381	22	559	84	38.1
PMD666	Mobile ped, box/box/box	22 $\frac{3}{8}$	568	15	381	22	559	75	34.0
PMD6666	Mobile ped, box/box/box/box	27 $\frac{1}{2}$	694	15	381	22	559	86	39.0

Rev 01/16/20



PENCIL DRAWER

- Black plastic drawers provide storage for pencils, pens, office accessories and other small items.
- Drawers mount under Ultra, Work and Peninsula Surfaces.
- Load capacity 25 lbs.

NOTES

- » Surfaces are not predrilled for Pencil Drawers.

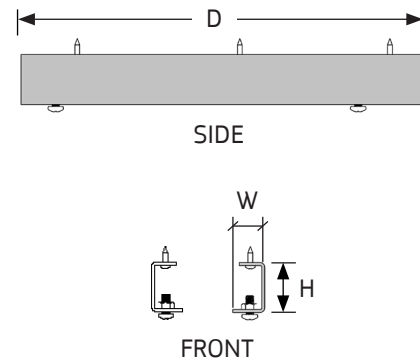
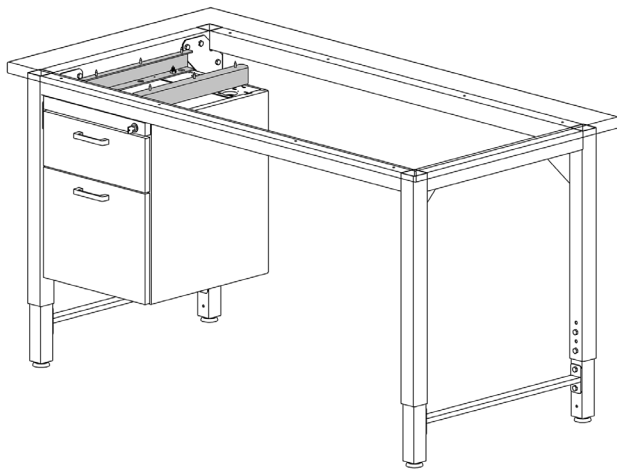
How to Specify

Step 1. Product Number

PD2015BK

Product Number	Description	Height		Width		Depth		Weight	
		in.	[mm]	in.	[mm]	in.	[mm]	lb.	[kg]
PD2015BK	Pencil drawer	2 1/8	54	21 1/8	537	16 1/4	413	5	2.3

Rev 07/29/14



ACCESSORY MOUNTING BRACKETS

- Accessory Mounting Brackets suspend a Pencil Drawer, Tote Bearer or Hanging Pedestal from the underside of a 4-Legged Table.
- Brackets mount to the bottom of the surface with screws provided in the Accessory Mounting Bracket hardware pack.
- Load capacity 150 lbs.
- Finish is black.

NOTES

- » Works on all table depths with Peds, Tote Bearers and Pencil Drawers.

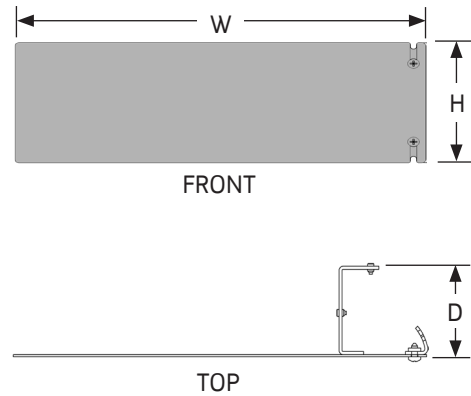
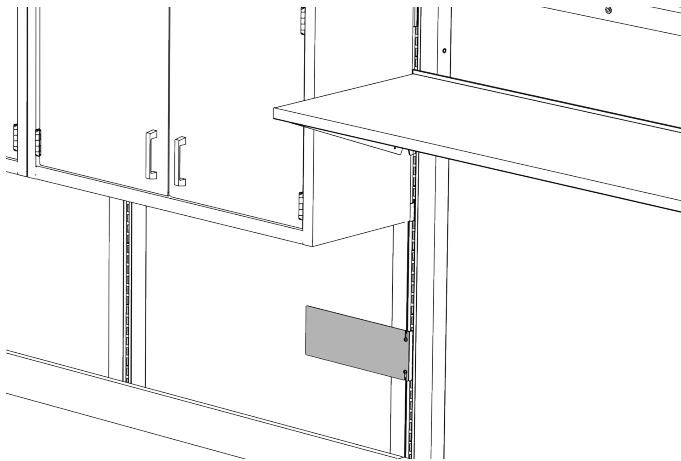
How to Specify

Step 1. Product Number

ASMBBK

Product Number	Description	Height		Width		Depth		Weight	
		in.	[mm]	in.	[mm]	in.	[mm]	lb.	[kg]
ASMBBK	Accessory mounting brackets	2	51	1 ¼	32	16	406	5	2.3

Rev 08/19/14



UTILITY DISPENSER MOUNTING BRACKET

- Utility Dispenser Mounting Bracket provides a secure means of mounting a variety of dispensers or accessory items.
- Dispensers or accessory items may be tek-screwed, hung from the lip or mounted with double-sided tape (not provided).
- Load capacity 20 lbs.

How to Specify

Step 1. Product Number

UDMB

Step 2. Paint Color Code

AW Arctic White	GL Grey Light Smooth
AS Argent Silver	GT Grey Light Texture
BK Black	NW Neutral White
BT Black Texture	ST Sand Texture

Product Number	Description	Height		Width		Depth		Weight	
		in.	[mm]	in.	[mm]	in.	[mm]	lb.	[kg]
UDMB	Utility dispenser mounting bracket	4 3/4	121	12 3/4	324	2 1/2	64	2	0.9

Rev 04/01/19