

SHELVING

Multi-Function Shelves 6.2

Shelf Add-On Lip 6.3

Center Shelves, Adjustable 6.4

Corner Shelves, Laminate With Brackets 6.5

Bookend Shelves 6.6

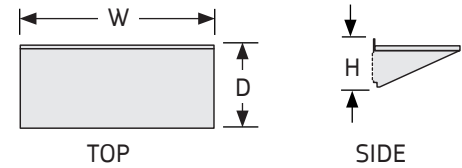
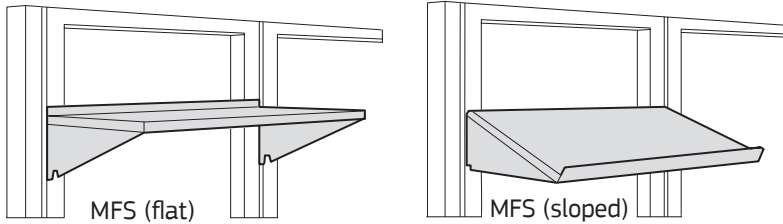
High Density Shelves 6.7

Roll-Out Shelves 6.8

Shelf Dividers 6.9

6





MULTI-FUNCTION SHELVES

- Multi-Function Shelves provide general storage in workstations.
- Assemblies include two steel support brackets and one shelf with a ½" raised edge that can be positioned in the front or back. No hardware or tools are needed for assembly.
- Shelves mount flat or in a sloped position.
- Dissipative shelves include an ESD Cable Kit Assembly for grounding.
- Load capacity 200 lbs. evenly distributed.

Shelf Depth	Shelf Slope
11"	24°
15"	17°
18"	21°
24"	15°

NOTES

- » When mounted on fabric or laminate panels in the flat position, there is a ⅜" gap between the back of each shelf and the panel limiting the amount of space for cord drops.
- » Shelf Add-on Lip sold separately; see page 6.3.
- » Greenlee Manual Round Knockout Punches can be purchased for field installation of shelf grommets. See manufacturer's website.

How to Specify

Step 1. Product Number

MFS

Step 2. Depth

11 11" deep 15 15" deep 18 18" deep
24 24" deep

Step 3. Width

24 24" wide 30 30" wide 36 36" wide
48 48" wide 60 60" wide 72* 72" wide
*72" excludes 24" deep

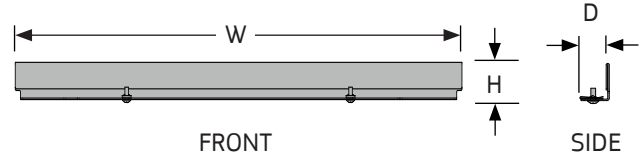
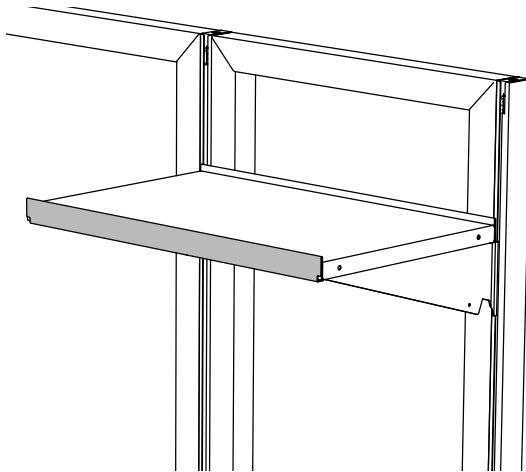
Step 4. Paint Color Code

STANDARD

- | | |
|------------------|-----------------------|
| AW Arctic White | GL Grey Light Smooth |
| AS Argent Silver | GT Grey Light Texture |
| BK Black | NW Neutral White |
| BT Black Texture | ST Sand Texture |

Product Number	Description	Height		Width		Depth		Weight	
		in.	[mm]	in.	[mm]	in.	[mm]	lb.	[kg]
MFS1124	Multi-function shelf	5 ½	140	24	610	11 ½	292	15	6.8
MFS1130	Multi-function shelf	5 ½	140	30	762	11 ½	292	17	7.7
MFS1136	Multi-function shelf	5 ½	140	36	914	11 ½	292	19	8.6
MFS1148	Multi-function shelf	5 ½	140	48	1219	11 ½	292	21	9.5
MFS1160	Multi-function shelf	5 ½	140	60	1524	11 ½	292	25	11.3
MFS1172	Multi-function shelf	5 ½	140	72	1829	11 ½	292	30	13.6
MFS1524	Multi-function shelf	5 ½	140	24	610	15	381	17	7.7
MFS1530	Multi-function shelf	5 ½	140	30	762	15	381	20	9.1
MFS1536	Multi-function shelf	5 ½	140	36	914	15	381	23	10.4
MFS1548	Multi-function shelf	5 ½	140	48	1219	15	381	27	12.2
MFS1560	Multi-function shelf	5 ½	140	60	1524	15	381	32	14.5
MFS1572	Multi-function shelf	5 ½	140	72	1829	15	381	37	16.8
MFS1824	Multi-function shelf	7 ½	191	24	610	18 ½	470	18	8.2
MFS1830	Multi-function shelf	7 ½	191	30	762	18 ½	470	22	10.0
MFS1836	Multi-function shelf	7 ½	191	36	914	18 ½	470	24	10.9
MFS1848	Multi-function shelf	7 ½	191	48	1219	18 ½	470	28	12.7
MFS1860	Multi-function shelf	7 ½	191	60	1524	18 ½	470	35	15.9
MFS1872	Multi-function shelf	7 ½	191	72	1829	18 ½	470	41	18.6
MFS2424	Multi-function shelf	7 ½	191	24	610	24	610	20	9.1
MFS2430	Multi-function shelf	7 ½	191	30	762	24	610	24	10.9
MFS2436	Multi-function shelf	7 ½	191	36	914	24	610	28	12.7
MFS2448	Multi-function shelf	7 ½	191	48	1219	24	610	36	16.3
MFS2460	Multi-function shelf	7 ½	191	60	1524	24	610	45	18.1

Rev 04/01/19



SHELF ADD-ON LIP

- Shelf Add-On Lip mounts to the front of Multi-Function Shelves, sold separately; see page 6.2
- One-piece steel assembly provides a lip to secure contents.

How to Specify

Step 1. Product Number

MFSL

Step 2. Width

24 24" wide 30 30" wide 36 36" wide
 48 48" wide 60 60" wide 72 72" wide

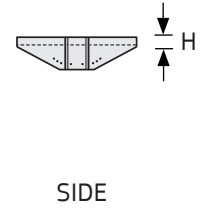
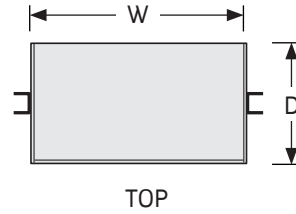
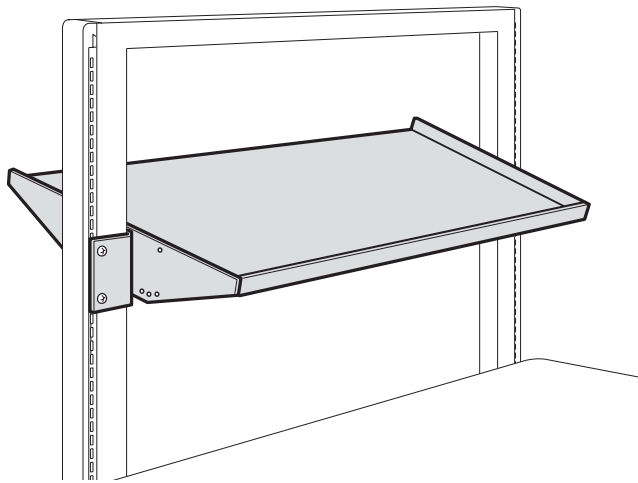
Step 3. Paint Color Code

STANDARD

- | | |
|------------------|-----------------------|
| AW Arctic White | GL Grey Light Smooth |
| AS Argent Silver | GT Grey Light Texture |
| BK Black | NW Neutral White |
| BT Black Texture | ST Sand Texture |

Product Number	Description	Height		Width		Depth		Weight	
		in.	[mm]	in.	[mm]	in.	[mm]	lb.	[kg]
MFSL24	Shelf add-on lip	1 ½	38	24	610	1 ⅝	29	2	0.9
MFSL30	Shelf add-on lip	1 ½	38	30	762	1 ⅝	29	2	0.9
MFSL36	Shelf add-on lip	1 ½	38	36	914	1 ⅝	29	3	1.4
MFSL48	Shelf add-on lip	1 ½	38	48	1219	1 ⅝	29	3	1.4
MFSL60	Shelf add-on lip	1 ½	38	60	1524	1 ⅝	29	4	1.8
MFSL72	Shelf add-on lip	1 ½	38	72	1829	1 ⅝	29	5	2.3

Rev 04/01/19



CENTER SHELVES, ADJUSTABLE

- Shelves provide general storage in workstations.
- Shelves mount within the openings of UltraFrames and can be center mounted or offset 4" to the front or back of the frames.
- Assemblies include two steel support brackets and one shelf with a 1/2" raised edge that can be positioned in the front or back. Positioning of the brackets provides raised edges on the left and right sides when mounted.
- Shelves mount flat or in one of two sloping positions, 8° or 16°. Slopes are set with threaded fasteners.
- Dissipative shelves each include an ESD Cable Kit Assembly for grounding.
- Load capacity 200 lbs. evenly distributed.

NOTES

- » Center Shelves cannot be mounted on ErgoStat Riser Spines.

How to Specify

Step 1. Product Number

CSA

Step 2. Width

24 24" wide 30 30" wide 36 36" wide
48 48" wide 60 60" wide

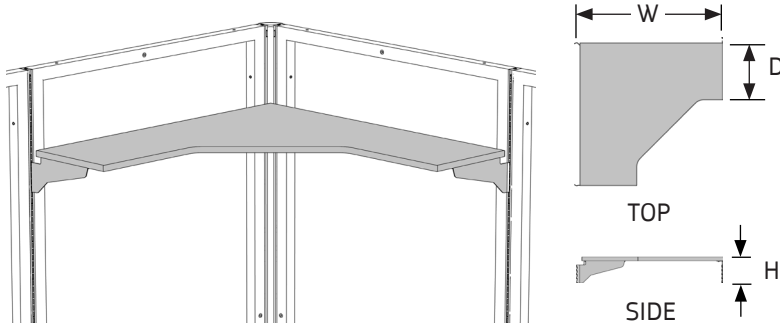
Step 3. Paint Color Code

STANDARD

AW Arctic White	GL Grey Light Smooth
AS Argent Silver	GT Grey Light Texture
BK Black	NW Neutral White
BT Black Texture	ST Sand Texture

Product Number	Description	Height		Width		Depth		Weight	
		in.	[mm]	in.	[mm]	in.	[mm]	lb.	[kg]
CSA24	Center shelf	4 3/4	121	18	457	24	610	19	8.6
CSA30	Center shelf	4 3/4	121	24	610	24	610	23	10.4
CSA36	Center shelf	4 3/4	121	30	762	24	610	25	11.3
CSA48	Center shelf	4 3/4	121	42	1067	24	610	30	13.6
CSA60	Center shelf	4 3/4	121	54	1372	24	610	37	16.8

Rev 04/01/19



CORNER SHELVES, LAMINATE WITH BRACKETS

- Shelves provide general storage in corner workstations.
- The 1" high double-sided laminate shelves include matching vinyl Edge-band.
- Assemblies include three steel support brackets which are notched to allow for the routing of cables.
- Nevamar® Static Dissipative Laminate (SDL) surfaces have a Point to point and point to ground resistance of 1 x 10⁶ to 1 x 10⁹ ohms @ 10-60% relative humidity. Conforms to ESD Association Standard ESD-S4.1.
- Dissipative shelves are manufactured using dissipative laminate on the top side with matching non-dissipative laminate on the underside and each include a Laminate Grounding Terminal Kit.

NOTES

- » Corner Shelves are predrilled for Universal Cable Trays; see page 9.5.
- » 36" and 48" wide shelves are predrilled for Shelf Mount Light Brackets for 32" wide LED High Performance Task Lights; see page 8.7.
- » Other dissipative laminates available upon request; consult factory.
- » Customers are responsible for specifying ESD surface requirements; corporate ESD standards must be consulted prior to ordering.

How to Specify

Step 1. Product Number

- CSL Corner Shelf, laminate
- CDS Corner Shelf, dissipative

Step 2. Depth

- 15 15" deep 18 18" deep

Step 3. Width

- 24 24" wide 30 30" wide 36 36" wide
- 48 48" wide

Step 5. Laminate color code (select one)

STANDARD

- AW Arctic White
- BK Black
- GF Grey Fleck
- GL Grey Light
- NW Neutral White
- SA Sand
- WF White Fleck

DISSIPATIVE

- DBK Dissipative Black
- DG Dissipative Grey Light
- DNW Dissipative Neutral White
- DS Dissipative Sand
- DW Dissipative White

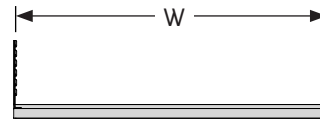
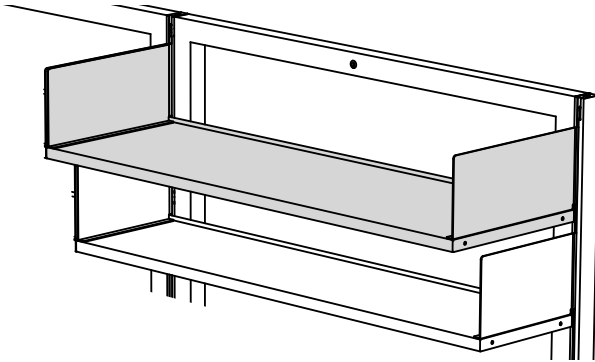
Step 4. Paint Color Code

STANDARD

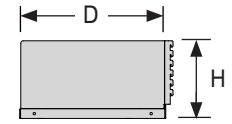
- AW Arctic White
- AS Argent Silver
- BK Black
- BT Black Texture
- GL Grey Light Smooth
- GT Grey Light Texture
- NW Neutral White
- ST Sand Texture

Product Number	Description	Height		Width		Depth		Weight	
		in.	[mm]	in.	[mm]	in.	[mm]	lb.	[kg]
CSL1524	Corner shelf, standard laminate	6 ½	165	24	610	15	381	20	9.1
CSL1530	Corner shelf, standard laminate	6 ½	165	30	762	15	381	28	12.7
CSL1536	Corner shelf, standard laminate	6 ½	165	36	914	15	381	41	18.6
CSL1548	Corner shelf, standard laminate	6 ½	165	48	1219	15	381	70	31.8
CSL1824	Corner shelf, standard laminate	6 ½	165	24	610	18 ½	470	22	10.0
CSL1830	Corner shelf, standard laminate	6 ½	165	30	762	18 ½	470	30	13.6
CSL1836	Corner shelf, standard laminate	6 ½	165	36	914	18 ½	470	43	19.5
CSL1848	Corner shelf, standard laminate	6 ½	165	48	1219	18 ½	470	72	32.7
CSD1524	Corner shelf, dissipative	6 ½	165	24	610	15	381	20	9.1
CSD1530	Corner shelf, dissipative	6 ½	165	30	762	15	381	28	12.7
CSD1536	Corner shelf, dissipative	6 ½	165	36	914	15	381	41	18.6
CSD1548	Corner shelf, dissipative	6 ½	165	48	1219	15	381	70	31.8
CSD1824	Corner shelf, dissipative	6 ½	165	24	610	18 ½	470	22	10.0
CSD1830	Corner shelf, dissipative	6 ½	165	30	762	18 ½	470	30	13.6
CSD1836	Corner shelf, dissipative	6 ½	165	36	914	18 ½	470	43	19.5
CSD1848	Corner shelf, dissipative	6 ½	165	48	1219	18 ½	470	72	32.7

Rev 07/24/24



FRONT



SIDE

BOOKEND SHELVES

- Bookend Shelves mount on a frame, panel or wall strips, providing general storage.
- Shelf can be oriented with the 1/2" raised edge facing toward the front or back.
- Load capacity 200 lbs. evenly distributed.

NOTES

- » When mounted on closed Fabric or Laminate Panel, there is a 3/8" gap between the back of each shelf and the panel limiting the amount of space for cord drops.

How to Specify

Step 1. Product Number

BES

Step 2. Depth

11 11" deep 15 15" deep 18 18" deep

Step 3. Width

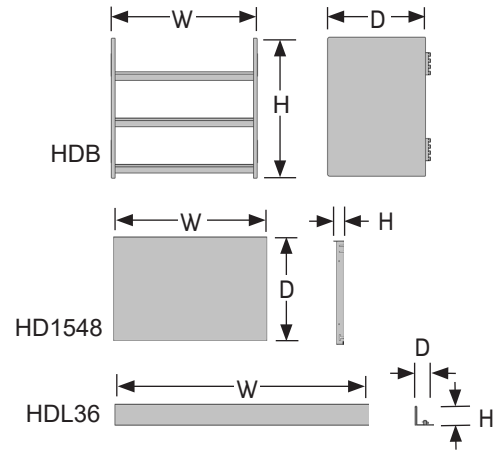
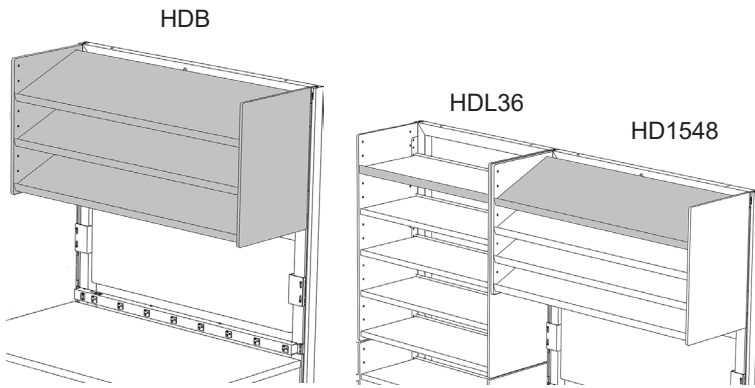
24 24" wide 30 30" wide 36 36" wide
 48 48" wide 60 60" wide 72 72" wide

Step 4. Paint Color Code

AW Arctic White	GL Grey Light Smooth
AS Argent Silver	GT Grey Light Texture
BK Black	NW Neutral White
BT Black Texture	ST Sand Texture

Product Number	Description	Height		Width		Depth		Weight	
		in.	[mm]	in.	[mm]	in.	[mm]	lb.	[kg]
BES1124	Bookend shelf	8	203	24	610	11 1/2	292	18	8.2
BES1130	Bookend shelf	8	203	30	762	11 1/2	292	20	9.1
BES1136	Bookend shelf	8	203	36	914	11 1/2	292	22	10.0
BES1148	Bookend shelf	8	203	48	1219	11 1/2	292	24	10.9
BES1160	Bookend shelf	8	203	60	1524	11 1/2	292	28	12.7
BES1172	Bookend shelf	8	203	72	1829	11 1/2	292	33	15.0
BES1524	Bookend shelf	8	203	24	610	15	381	21	9.5
BES1530	Bookend shelf	8	203	30	762	15	381	24	10.9
BES1536	Bookend shelf	8	203	36	914	15	381	27	12.2
BES1548	Bookend shelf	8	203	48	1219	15	381	31	14.1
BES1560	Bookend shelf	8	203	60	1524	15	381	36	16.3
BES1572	Bookend shelf	8	203	72	1829	15	381	41	18.6
BES1824	Bookend shelf	8	203	24	610	18 1/2	470	21	9.5
BES1830	Bookend shelf	8	203	30	762	18 1/2	470	25	11.3
BES1836	Bookend shelf	8	203	36	914	18 1/2	470	27	12.2
BES1848	Bookend shelf	8	203	48	1219	18 1/2	470	31	14.1
BES1860	Bookend shelf	8	203	60	1524	18 1/2	470	38	17.2
BES1872	Bookend shelf	8	203	72	1829	18 1/2	470	44	20.0

Rev 04/01/19



HIGH DENSITY SHELVES

- High density shelves mount on a frame, panel or wall strips.
- Shelves are vertically adjustable in 2½" increments and can be installed in three positions (flat, 11 and 22 degrees).
- Available as a three shelf or five shelf unit.
- Load capacity is 200 lbs. per unit (both three and five shelf units).
- Add-on shelves and front shelf lips also available.

NOTES

- » End panels are constructed of MDF board and are powder coated.
- » Mounting brackets and shelves are metal and color matched.

How to Specify

Step 1. Product Number

- HDB HD Shelf, 3-unit
- HDC HD Shelf, 5-unit
- HD HD Add-on Shelf
- HDL HD Shelf Lip

Step 2. Depth (Shelf only)

15 15" deep

Step 3. Width

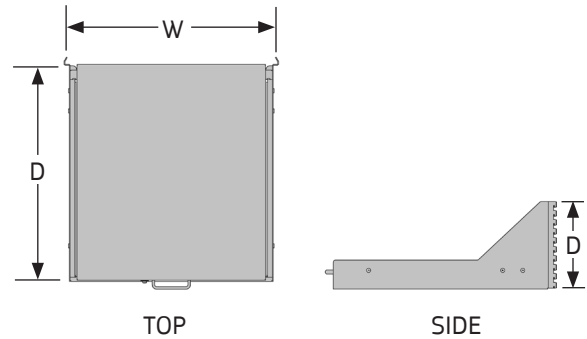
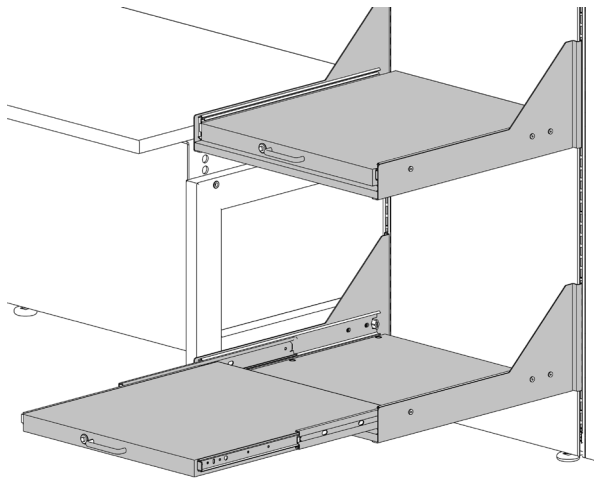
24 24" wide 30 30" wide 36 36" wide
 48 48" wide 60 60" wide

Step 4. Paint Color Code

- BK Black
- GL Grey Light Smooth
- NW Neutral White

Product Number	Description	Height		Width		Depth		Weight	
		in.	[mm]	in.	[mm]	in.	[mm]	lb.	[kg]
HDB1524	Shelf, 3 unit	22 ¾	578	24	610	16	406	37	16.8
HDB1530	Shelf, 3 unit	22 ¾	578	30	762	16	406	42	19.1
HDB1536	Shelf, 3 unit	22 ¾	578	36	914	16	406	48	21.8
HDB1548	Shelf, 3 unit	22 ¾	578	48	1219	16	406	59	26.8
HDB1560	Shelf, 3 unit	22 ¾	578	60	1524	16	406	71	32.2
HDC1524	Shelf, 5 unit	37 ¾	959	24	610	16	406	60	27.2
HDC1530	Shelf, 5 unit	37 ¾	959	30	762	16	406	69	31.3
HDC1536	Shelf, 5 unit	37 ¾	959	36	914	16	406	79	35.8
HDC1548	Shelf, 5 unit	37 ¾	959	48	1219	16	406	98	44.5
HDC1560	Shelf, 5 unit	37 ¾	959	60	1524	16	406	117	53.1
HD1524	Add-on shelf	1	25	22 ½	572	15 ¼	387	8	3.6
HD1530	Add-on shelf	1	25	28 ½	724	15 ¼	387	10	4.5
HD1536	Add-on shelf	1	25	34 ½	876	15 ¼	387	12	5.4
HD1548	Add-on shelf	1	25	46 ½	1181	15 ¼	387	15	6.8
HD1560	Add-on shelf	1	25	58 ½	1486	15 ¼	387	19	8.6
HDL24	Shelf lip	1 ½	38	22 ½	572	1	25	1 ½	0.7
HDL30	Shelf lip	1 ½	38	28 ½	724	1	25	2	0.9
HDL36	Shelf lip	1 ½	38	34 ½	876	1	25	2 ½	1.1
HDL48	Shelf lip	1 ½	38	46 ½	1181	1	25	3	1.4
HDL60	Shelf lip	1 ½	38	58 ½	1486	1	25	4	1.8

Rev 02/23/16



ROLL-OUT SHELVES

- Shelves provide general storage in workstations.
- Shelves roll out for easy access to the backside of the shelf and lock in the closed position using the push-button release adjacent to the handle of the front of the shelf.
- Assemblies include full-extension ball-bearing slides, two steel support brackets, a stretcher and a shelf with a single handle and push-button release allowing one-handed operation of the shelf lock.
- Shelves extend from the front of the 21⁷/₈" brackets when fully extended. Handle extends 1¹/₄" from the front of the shelf.
- Load capacity 150 lbs. evenly distributed.

NOTES

- » Shelf cannot be mounted next to C Legs attached to the same UltraFrame. Connector Posts with C Legs or return frames must be used for support.
- » No more than one loaded shelf should be extended at the same time.
- » Extended C Legs or 30" wide return frames are recommended; consult factory for design guidelines.

How to Specify

Step 1. Product Number

RSM24

Step 2. Width

24 24" wide 30 30" wide

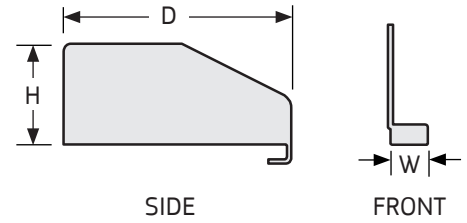
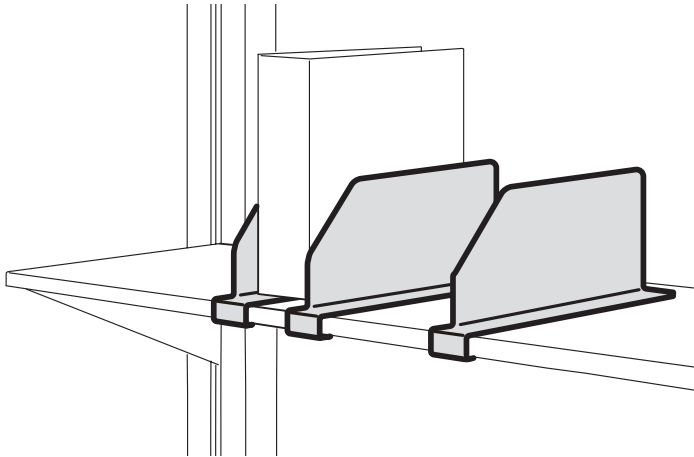
Step 3. Paint Color Code

STANDARD

- | | |
|------------------|-----------------------|
| AW Arctic White | GL Grey Light Smooth |
| AS Argent Silver | GT Grey Light Texture |
| BK Black | NW Neutral White |
| BT Black Texture | ST Sand Texture |

Product Number	Description	Height		Width		Depth		Weight	
		in.	[mm]	in.	[mm]	in.	[mm]	lb.	[kg]
RSM2424	Roll-out shelf	9 3/4	248	22 1/2	572	24 1/4	616	46	20.9
RSM2430	Roll-out shelf	9 3/4	248	28 1/2	724	24 1/4	616	53	24.0

Rev 04/01/19



SHELF DIVIDERS

- Dividers vertically separate paper, folders, books and binders on shelves.
- Dividers mount to Multi-function, Low Profile, General Purpose, Center and Bookend Shelves in the flat position only.
- Scored mounting tabs allow for easy bending to hold Shelf Dividers in place once installed on shelves.
- Dividers are sold in packages of 5.

NOTES

- » Shelf Dividers will not mount on Corner, Wire, Roll-out Shelves or Storage Cabinets.

How to Specify

Step 1. Product Number

SDV511

Step 2. Paint Color Code

STANDARD

- | | |
|-------------------|------------------------|
| AW Arctic White | GL Grey Light Smooth |
| AS Argent Silver | GT* Grey Light Texture |
| BK Black | NW Neutral White |
| BT* Black Texture | ST* Sand Texture |

Product Number	Description	Height		Width		Depth		Weight	
		in.	[mm]	in.	[mm]	in.	[mm]	lb.	[kg]
SDV511	Shelf dividers	5 ½	140	1 ¾	44	11	279	6	2.7

Rev 04/01/19