

**SURFACES & SUPPORTS**

Ultra Surfaces, Std. Laminate, Square Edge . . . . . 4.2

Ultra Surfaces, Std. Laminate, Full-Round Edge . . . . . 4.3

Ultra Surfaces, ESD Laminate, Square Edge . . . . . 4.4

Ultra Surfaces, ESD Laminate, Full-Round Edge . . . . . 4.6

Ultra Surfaces, Chemsurf Lam., Square Edge . . . . . 4.8

Ultra Surfaces, Chemsurf Lam., Full-Round Edge . . . . . 4.9

Ultra Surfaces, Hardwood, 1¼", Full-Radius Edge . . . . . 4.10

Ultra Surfaces, Hardwood, 1¾", Square Edge . . . . . 4.11

Ultra Surfaces, Stainless Steel . . . . . 4.12

Phenolic Systems Surfaces . . . . . 4.13

Std. Surfaces, Std. Laminate, Square Edge . . . . . 4.14

Std. Surfaces, Std. Laminate, Full-Round Edge . . . . . 4.15

Std. Surfaces, ESD Laminate, Square Edge . . . . . 4.16

Std. Surfaces, ESD Laminate, Full-Round Edge . . . . . 4.18

Std. Surfaces, Chemsurf Lam., Square Edge . . . . . 4.20

Std. Surfaces, Chemsurf Lam., Full-Round Edge . . . . . 4.21

Work Surfaces, Standard Laminate, T-Edge . . . . . 4.22

Work Surfaces, Std. Laminate, Full-Round Edge . . . . . 4.23

Work Surfaces, ESD Laminate, T-Edge . . . . . 4.24

Work Surfaces, ESD Laminate, Full-Round Edge . . . . . 4.25

Work Surfaces, Chemsurf Laminate, T-Edge . . . . . 4.26

Work Surfaces, Chemsurf Lam., Full-Round Edge . . . . . 4.27

Work Surfaces, Hardwood, 1¼", Full-Radius Edge . . . . . 4.28

Work Surfaces, Hardwood, 1¾", Square Edge . . . . . 4.29

Work Surfaces, Stainless Steel . . . . . 4.30

Surface B Support Brackets . . . . . 4.31

Surface Cantilever Supports . . . . . 4.32

Frame-Mount Surface Supports . . . . . 4.33

Surface Reinforcement Bars . . . . . 4.34

Surface Support Bar . . . . . 4.35

Surface Accessory Brackets . . . . . 4.36

Surface Back Stops . . . . . 4.37

Phenolic Backsplashes . . . . . 4.38

Surface Gap Fillers and Leveling Plates . . . . . 4.39

Phenolic Gap Fillers . . . . . 4.40

Epoxy Backsplashes . . . . . 4.41

Auxiliary Surface . . . . . 4.42

Ultra Surface Peninsulas, Std. Laminate . . . . . 4.43

Ultra Surface Peninsulas, ESD Laminate . . . . . 4.44

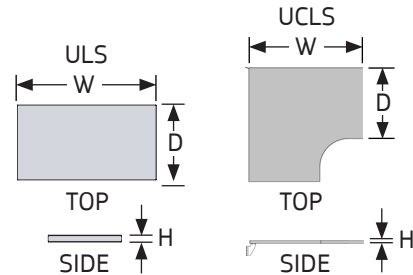
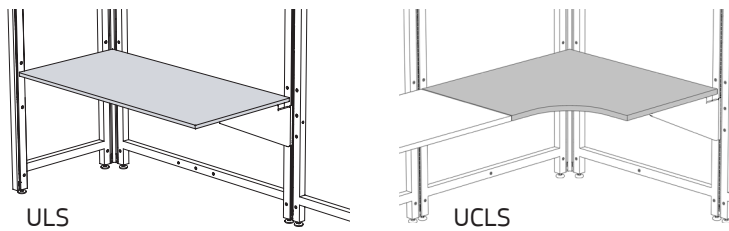
Ultra Surface Peninsulas, Chemsurf Laminate . . . . . 4.45

Std. Surface Peninsulas, Standard Laminate . . . . . 4.46

Std. Surface Peninsulas, ESD Laminate . . . . . 4.47

Std. Surface Peninsulas, Chemsurf Laminate . . . . . 4.48





**ULTRA SURFACES, STD. LAMINATE, SQUARE EDGE**

- 1¼" high laminate surfaces mount to Panels, ErgoStats®, Table Bases and UltraFrames.
- Surfaces have square corners with matching square edge-band.
- Surfaces are predrilled for supports and most accessories.
- Corner surfaces include one corner bracket.
- Load capacity is 500 lb. capacity, evenly distributed.

**NOTES**

- » For corner surfaces order left- and right-side supports separately; see pages 4.31 - 4.33.
- » Surface supports sold separately; see pages 4.31 - 4.33.
- » 72" and 96" wide frame-mounted surfaces must be supported in the center by Surface Cantilever Supports. Specify one 18" cantilever per 24" and 30" deep surface and one 24" cantilever per 36" deep surface.

**How to Specify**

**Step 1. Product Number**

- ULS Rectangular Surface, Square Edge
- UCLS Corner Surface, Square Edge

**Step 2. Depth**

24 24" deep 30 30" deep 36 36" deep

**Step 3. Width (Corner is 48" only)**

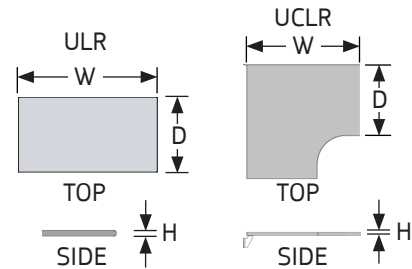
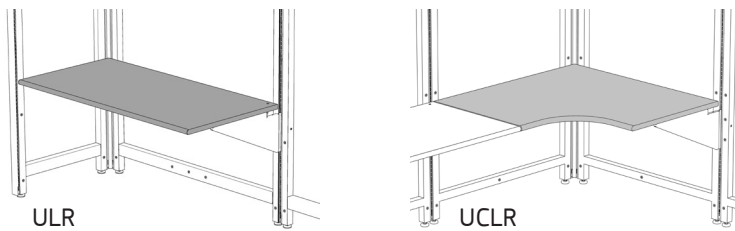
24 24" wide 30 30" wide 36 36" wide  
 48 48" wide 60 60" wide 72 72" wide  
 96 96" wide

**Step 4. Laminate Color Code**

- AW Arctic White
- BK Black
- GF Grey Fleck
- GL Grey Light
- NW Neutral White
- SA Sand
- WF White Fleck

Product Number	Description	Height		Width		Depth		Weight	
		in.	[mm]	in.	[mm]	in.	[mm]	lb.	[kg]
ULS2424	Standard laminate, square edge	1 ¼	32	24	610	24	610	22	10.0
ULS2430	Standard laminate, square edge	1 ¼	32	30	762	24	610	24	10.9
ULS2436	Standard laminate, square edge	1 ¼	32	36	914	24	610	29	13.2
ULS2448	Standard laminate, square edge	1 ¼	32	48	1219	24	610	36	16.3
ULS2460	Standard laminate, square edge	1 ¼	32	60	1524	24	610	45	20.4
ULS2472	Standard laminate, square edge	1 ¼	32	72	1829	24	610	54	24.5
ULS2496	Standard laminate, square edge	1 ¼	32	96	2438	24	610	72	32.7
ULS3024	Standard laminate, square edge	1 ¼	32	24	610	30	762	24	10.9
ULS3030	Standard laminate, square edge	1 ¼	32	30	762	30	762	30	13.6
ULS3036	Standard laminate, square edge	1 ¼	32	36	914	30	762	36	16.3
ULS3048	Standard laminate, square edge	1 ¼	32	48	1219	30	762	45	20.4
ULS3060	Standard laminate, square edge	1 ¼	32	60	1524	30	762	56	25.4
ULS3072	Standard laminate, square edge	1 ¼	32	72	1829	30	762	67	30.4
ULS3096	Standard laminate, square edge	1 ¼	32	96	2438	30	762	90	40.8
ULS3624	Standard laminate, square edge	1 ¼	32	24	610	36	762	26	11.8
ULS3630	Standard laminate, square edge	1 ¼	32	30	762	36	914	36	16.3
ULS3636	Standard laminate, square edge	1 ¼	32	36	914	36	914	43	19.5
ULS3648	Standard laminate, square edge	1 ¼	32	48	1219	36	914	54	24.5
ULS3660	Standard laminate, square edge	1 ¼	32	60	1524	36	914	67	30.4
ULS3672	Standard laminate, square edge	1 ¼	32	72	1829	36	914	80	36.3
ULS3696	Standard laminate, square edge	1 ¼	32	96	2438	36	914	108	49.0
UCLS2448	Standard laminate, corner, square edge	1 ¼	32	48	1219	24	610	72	32.7
UCLS3048	Standard laminate, corner, square edge	1 ¼	32	48	1219	30	762	74	33.6
UCLS3648	Standard laminate, corner, square edge	1 ¼	32	48	1219	36	914	78	35.4

Rev 06/20/24



**ULTRA SURFACES, STD. LAMINATE, FULL-ROUND EDGE**

- 1¼" high laminate surfaces mount to ErgoStats®, Table Bases, UltraFrames and Panels.
- Surfaces have matching vinyl full-round front edges with square edge-band on the back and side edges.
- Surfaces are predrilled for supports and most accessories.
- Corner surfaces include one corner bracket.
- Load capacity is 500 lbs. evenly distributed.

**NOTES**

- » For corner surfaces order left- and right-side supports separately; see pages 4.31 - 4.33.
- » Surface supports sold separately; see pages 4.31 - 4.33.
- » 72" and 96" wide frame-mounted surfaces must be supported in the center by Surface Cantilever Supports. Specify one 18" cantilever per 24" and 30" deep surface and one 24" cantilever per 36" deep surface.

**How to Specify**

**Step 1. Product Number**

ULR Rectangular Surface, Full-Round Edge  
 UCLR Corner Surface, Full-Round Edge

**Step 2. Depth**

24 24" deep 30 30" deep 36 36" deep

**Step 3. Width (Corner is 48" only)**

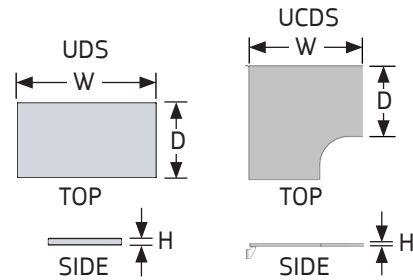
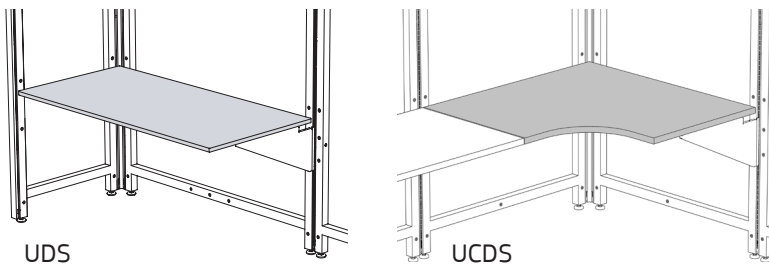
24 24" wide 30 30" wide 36 36" wide  
 48 48" wide 60 60" wide 72 72" wide  
 96 96" wide

**Step 4. Laminate Color Code**

AW Arctic White      NW Neutral White  
 BK Black              SA Sand  
 GF Grey Fleck      WF White Fleck  
 GL Grey Light

Product Number	Description	Height		Width		Depth		Weight	
		in.	[mm]	in.	[mm]	in.	[mm]	lb.	[kg]
ULR2424	Standard laminate, full-round edge	1 ¼	32	24	610	24	610	22	10.0
ULR2430	Standard laminate, full-round edge	1 ¼	32	30	762	24	610	24	10.9
ULR2436	Standard laminate, full-round edge	1 ¼	32	36	914	24	610	29	13.2
ULR2448	Standard laminate, full-round edge	1 ¼	32	48	1219	24	610	36	16.3
ULR2460	Standard laminate, full-round edge	1 ¼	32	60	1524	24	610	45	20.4
ULR2472	Standard laminate, full-round edge	1 ¼	32	72	1829	24	610	54	24.5
ULR2496	Standard laminate, full-round edge	1 ¼	32	96	2438	24	610	72	32.7
ULR3024	Standard laminate, full-round edge	1 ¼	32	24	610	30	762	24	10.9
ULR3030	Standard laminate, full-round edge	1 ¼	32	30	762	30	762	30	13.6
ULR3036	Standard laminate, full-round edge	1 ¼	32	36	914	30	762	36	16.3
ULR3048	Standard laminate, full-round edge	1 ¼	32	48	1219	30	762	45	20.4
ULR3060	Standard laminate, full-round edge	1 ¼	32	60	1524	30	762	56	25.4
ULR3072	Standard laminate, full-round edge	1 ¼	32	72	1829	30	762	67	30.4
ULR3096	Standard laminate, full-round edge	1 ¼	32	96	2438	30	762	90	40.8
ULR3624	Standard laminate, full-round edge	1 ¼	32	24	610	36	762	26	11.8
ULR3630	Standard laminate, full-round edge	1 ¼	32	30	762	36	914	36	16.3
ULR3636	Standard laminate, full-round edge	1 ¼	32	36	914	36	914	43	19.5
ULR3648	Standard laminate, full-round edge	1 ¼	32	48	1219	36	914	54	24.5
ULR3660	Standard laminate, full-round edge	1 ¼	32	60	1524	36	914	67	30.4
ULR3672	Standard laminate, full-round edge	1 ¼	32	72	1829	36	914	80	36.3
ULR3696	Standard laminate, full-round edge	1 ¼	32	96	2438	36	914	108	49.0
UCLR2448	Standard laminate, corner, full-round edge	1 ¼	32	48	1219	24	610	72	32.7
UCLR3048	Standard laminate, corner, full-round edge	1 ¼	32	48	1219	30	762	74	33.6
UCLR3648	Standard laminate, corner, full-round edge	1 ¼	32	48	1219	36	914	78	35.4

Rev 06/20/24



**ULTRA SURFACES, ESD LAMINATE, SQUARE EDGE**

- 1¼" high laminate surfaces mount to ErgoStats®, Table Bases, UltraFrames and Panels.
- Symbiote dissipative surfaces are manufactured with Nevamar® Static Dissipative Laminates (SDL). Nevamar SDL is manufactured to have a point to point and point to ground resistance of 1 x 106 to 1 x 109 ohms @ 10-60% relative humidity. Nevamar SDL conforms to ESD Association Standard ESD-S4.1.
- Dissipative surfaces include a Laminate Grounding Terminal Kit.
- Surfaces have square corners with matching square edge-band.
- Corner surfaces include one corner bracket.
- Surfaces are predrilled for supports and most accessories.
- Load capacity is 500 lbs. evenly distributed.

**NOTES**

- » For corner surfaces order left- and right-side supports separately; see pages 4.31 - 4.33.
- » Surface supports sold separately; see pages 4.31 - 4.33.
- » 72" and 96" wide frame-mounted surfaces must be supported in the center by Surface Cantilever Supports. Specify one 18" cantilever per 24" and 30" deep surface and one 24" cantilever per 36" deep surface.
- » Customers are responsible for specifying ESD surface requirements; corporate ESD standards must be consulted prior to ordering.

**How to Specify**

**Step 1. Product Number**

- UDS Rectangular Surface, Square Edge
- UCDS Corner Surface, Square Edge

**Step 2. Depth**

- 24 24" deep    30 30" deep    36 36" deep

**Step 3. Width (Corner is 48" only)**

- 24 24" wide    30 30" wide    36 36" wide
- 48 48" wide    60 60" wide    72 72" wide
- 96 96" wide

**Step 4. Laminate Color Code**

- DBK Dissipative Black
- DG Dissipative Grey
- DNW Dissipative Neutral White
- DS Dissipative Sand
- DW Dissipative White

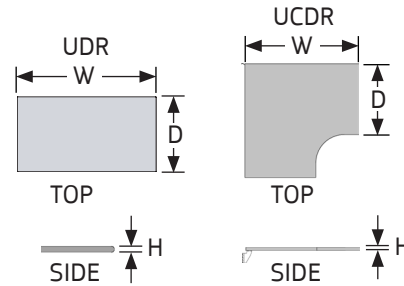
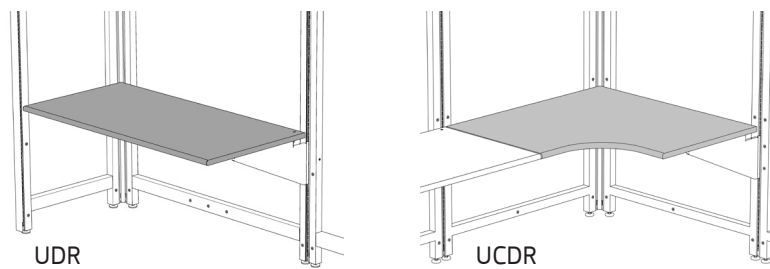
Product Number	Description	Height		Width		Depth		Weight	
		in.	[mm]	in.	[mm]	in.	[mm]	lb.	[kg]
UDS2424	ESD laminate, square edge	1 ¼	32	24	610	24	610	22	10.0
UDS2430	ESD laminate, square edge	1 ¼	32	30	762	24	610	24	10.9
UDS2436	ESD laminate, square edge	1 ¼	32	36	914	24	610	29	13.2
UDS2448	ESD laminate, square edge	1 ¼	32	48	1219	24	610	36	16.3
UDS2460	ESD laminate, square edge	1 ¼	32	60	1524	24	610	45	20.4
UDS2472	ESD laminate, square edge	1 ¼	32	72	1829	24	610	54	24.5
UDS2496	ESD laminate, square edge	1 ¼	32	96	2438	24	610	72	32.7
UDS3024	ESD laminate, square edge	1 ¼	32	24	610	30	762	24	10.9
UDS3030	ESD laminate, square edge	1 ¼	32	30	762	30	762	30	13.6
UDS3036	ESD laminate, square edge	1 ¼	32	36	914	30	762	36	16.3
UDS3048	ESD laminate, square edge	1 ¼	32	48	1219	30	762	45	20.4
UDS3060	ESD laminate, square edge	1 ¼	32	60	1524	30	762	56	25.4
UDS3072	ESD laminate, square edge	1 ¼	32	72	1829	30	762	67	30.4
UDS3096	ESD laminate, square edge	1 ¼	32	96	2438	30	762	90	40.8

Cont'd

**ULTRA SURFACES, ESD LAMINATE, SQUARE EDGE** (Cont'd)

Product Number	Description	Height		Width		Depth		Weight	
		in.	[mm]	in.	[mm]	in.	[mm]	lb.	[kg]
UDS3624	ESD laminate, square edge	1 ¼	32	24	610	36	762	26	11.8
UDS3630	ESD laminate, square edge	1 ¼	32	30	762	36	914	36	16.3
UDS3636	ESD laminate, square edge	1 ¼	32	36	914	36	914	43	19.5
UDS3648	ESD laminate, square edge	1 ¼	32	48	1219	36	914	54	24.5
UDS3660	ESD laminate, square edge	1 ¼	32	60	1524	36	914	67	30.4
UDS3672	ESD laminate, square edge	1 ¼	32	72	1829	36	914	80	36.3
UDS3696	ESD laminate, square edge	1 ¼	32	96	2438	36	914	108	49.0
UCDS2448	ESD laminate, corner, square edge	1 ¼	32	48	1219	24	610	72	32.7
UCDS3048	ESD laminate, corner, square edge	1 ¼	32	48	1219	30	762	74	33.6
UCDS3648	ESD laminate, corner, square edge	1 ¼	32	48	1219	36	914	78	35.4

Rev 09/24/20



**ULTRA SURFACES, ESD LAMINATE, FULL-ROUND EDGE**

- 1¼" high ESD laminate surfaces mount to ErgoStats®, Table Bases, UltraFrames and Panels.
- Symbiote dissipative surfaces are manufactured with Nevamar® Static Dissipative Laminates (SDL). Nevamar SDL is manufactured to have a point to point and point to ground resistance of 1 x 106 to 1 x 109 ohms @ 10-60% relative humidity. Nevamar SDL conforms to ESD Association Standard ESD-S4.1.
- Dissipative surfaces include a Laminate Grounding Terminal Kit.
- Surfaces have vinyl full-round front edges with square edge-band on the back and side edges.
- Corner surfaces include one corner bracket.
- Surfaces are predrilled for supports and most accessories.
- Load capacity 500 lbs. evenly distributed.

**NOTES**

- » For corner surfaces order left- and right-side supports separately; see pages 4.31 - 4.33.
- » Surface supports sold separately; see pages 4.31 - 4.33.
- » 72" and 96" wide frame-mounted surfaces must be supported in the center by Surface Cantilever Supports. Specify one 18" cantilever per 24" and 30" deep surface and one 24" cantilever per 36" deep surface.
- » Customers are responsible for specifying ESD surface requirements; corporate ESD standards must be consulted prior to ordering.

**How to Specify**

**Step 1. Product Number**

- UDR Rectangular Surface, Full-Round Edge
- UCDR Corner Surface, Full-Round Edge

**Step 2. Depth**

- 24 24" deep    30 30" deep    36 36" deep

**Step 3. Width (Corner is 48" only)**

- 24 24" wide    30 30" wide    36 36" wide
- 48 48" wide    60 60" wide    72 72" wide
- 96 96" wide

**Step 4. Laminate Color Code**

- DBK Dissipative Black
- DG Dissipative Grey
- DNW Dissipative Neutral White
- DS Dissipative Sand
- DW Dissipative White

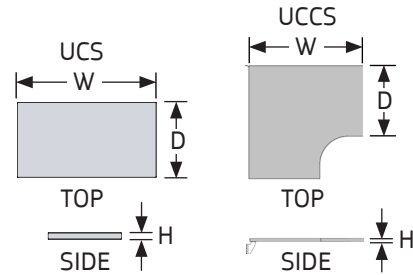
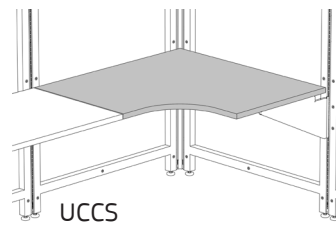
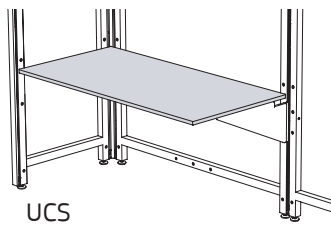
Product Number	Description	Height		Width		Depth		Weight	
		in.	[mm]	in.	[mm]	in.	[mm]	lb.	[kg]
UDR2424	ESD laminate, full-round edge	1 ¼	32	24	610	24	610	22	10.0
UDR2430	ESD laminate, full-round edge	1 ¼	32	30	762	24	610	24	10.9
UDR2436	ESD laminate, full-round edge	1 ¼	32	36	914	24	610	29	13.2
UDR2448	ESD laminate, full-round edge	1 ¼	32	48	1219	24	610	36	16.3
UDR2460	ESD laminate, full-round edge	1 ¼	32	60	1524	24	610	45	20.4
UDR2472	ESD laminate, full-round edge	1 ¼	32	72	1829	24	610	54	24.5
UDR2496	ESD laminate, full-round edge	1 ¼	32	96	2438	24	610	72	32.7
UDR3024	ESD laminate, full-round edge	1 ¼	32	24	610	30	762	24	10.9
UDR3030	ESD laminate, full-round edge	1 ¼	32	30	762	30	762	30	13.6
UDR3036	ESD laminate, full-round edge	1 ¼	32	36	914	30	762	36	16.3
UDR3048	ESD laminate, full-round edge	1 ¼	32	48	1219	30	762	45	20.4
UDR3060	ESD laminate, full-round edge	1 ¼	32	60	1524	30	762	56	25.4
UDR3072	ESD laminate, full-round edge	1 ¼	32	72	1829	30	762	67	30.4
UDR3096	ESD laminate, full-round edge	1 ¼	32	96	2438	30	762	90	40.8

Cont'd

**ULTRA SURFACES, ESD LAMINATE, FULL-ROUND EDGE** (Cont'd)

Product Number	Description	Height		Width		Depth		Weight	
		in.	[mm]	in.	[mm]	in.	[mm]	lb.	[kg]
UDR3624	ESD laminate, full-round edge	1 ¼	32	24	610	36	762	26	11.8
UDR3630	ESD laminate, full-round edge	1 ¼	32	30	762	36	914	36	16.3
UDR3636	ESD laminate, full-round edge	1 ¼	32	36	914	36	914	43	19.5
UDR3648	ESD laminate, full-round edge	1 ¼	32	48	1219	36	914	54	24.5
UDR3660	ESD laminate, full-round edge	1 ¼	32	60	1524	36	914	67	30.4
UDR3672	ESD laminate, full-round edge	1 ¼	32	72	1829	36	914	80	36.3
UDR3696	ESD laminate, full-round edge	1 ¼	32	96	2438	36	914	108	49.0
UCDR2448	ESD laminate, corner, full-round edge	1 ¼	32	48	1219	24	610	72	32.7
UCDR3048	ESD laminate, corner, full-round edge	1 ¼	32	48	1219	30	762	74	33.6
UCDR3648	ESD laminate, corner, full-round edge	1 ¼	32	48	1219	36	914	78	35.4

Rev 09/24/20



**ULTRA SURFACES, CHEMSURF LAM., SQUARE EDGE**

- 1¼" high Chemsurf laminate surfaces are made for highly corrosive environments with exceptional chemical and wear resistance.
- Surfaces mount to ErgoStats®, Table Bases, UltraFrames and Panels.
- Surfaces have square corners with a matching square edge band.
- Surfaces are predrilled for supports and most accessories.
- Corner surfaces include one corner bracket.
- Load capacity 500 lbs. evenly distributed.

**NOTES**

- » For corner surfaces order left- and right-side supports separately; see pages 4.31 - 4.33.
- » Surface supports sold separately; see pages 4.31 - 4.33.
- » 72" and 96" wide frame-mounted surfaces must be supported in the center by Surface Cantilever Supports. Specify one 18" cantilever per 24" and 30" deep surface and one 24" cantilever per 36" deep surface.

**How to Specify**

**Step 1. Product Number**

UCS Rectangular Surface, Square Edge  
 UCCS Corner Surface, Square Edge

**Step 2. Depth**

24 24" deep 30 30" deep 36 36" deep

**Step 3. Width (Corner is 48" only)**

24 24" wide 30 30" wide 36 36" wide  
 48 48" wide 60 60" wide 72 72" wide  
 96 96" wide

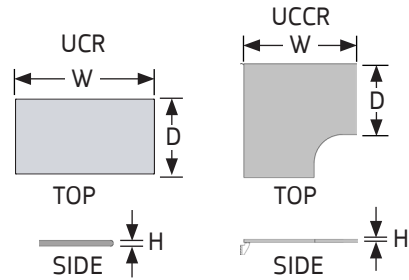
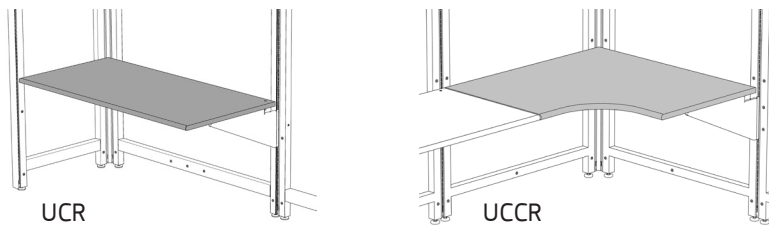
**Step 4. Laminate Color Code**

CBK Black  
 CGL Grey Light  
 CNW Neutral White

Product Number	Description	Height		Width		Depth		Weight	
		in.	[mm]	in.	[mm]	in.	[mm]	lb.	[kg]
UCS2424	Chemsurf laminate, square edge	1 ¼	32	24	610	24	610	22	10.0
UCS2430	Chemsurf laminate, square edge	1 ¼	32	30	762	24	610	24	10.9
UCS2436	Chemsurf laminate, square edge	1 ¼	32	36	914	24	610	29	13.2
UCS2448	Chemsurf laminate, square edge	1 ¼	32	48	1219	24	610	36	16.3
UCS2460	Chemsurf laminate, square edge	1 ¼	32	60	1524	24	610	45	20.4
UCS2472	Chemsurf laminate, square edge	1 ¼	32	72	1829	24	610	54	24.5
UCS2496	Chemsurf laminate, square edge	1 ¼	32	96	2438	24	610	72	32.7
UCS3024	Chemsurf laminate, square edge	1 ¼	32	24	610	30	762	24	10.9
UCS3030	Chemsurf laminate, square edge	1 ¼	32	30	762	30	762	30	13.6
UCS3036	Chemsurf laminate, square edge	1 ¼	32	36	914	30	762	36	16.3
UCS3048	Chemsurf laminate, square edge	1 ¼	32	48	1219	30	762	45	20.4
UCS3060	Chemsurf laminate, square edge	1 ¼	32	60	1524	30	762	56	25.4
UCS3072	Chemsurf laminate, square edge	1 ¼	32	72	1829	30	762	67	30.4
UCS3096	Chemsurf laminate, square edge	1 ¼	32	96	2438	30	762	90	40.8
UCS3624	Chemsurf laminate, square edge	1 ¼	32	24	610	36	762	26	11.8
UCS3630	Chemsurf laminate, square edge	1 ¼	32	30	762	36	914	36	16.3
UCS3636	Chemsurf laminate, square edge	1 ¼	32	36	914	36	914	43	19.5
UCS3648	Chemsurf laminate, square edge	1 ¼	32	48	1219	36	914	54	24.5
UCS3660	Chemsurf laminate, square edge	1 ¼	32	60	1524	36	914	67	30.4
UCS3672	Chemsurf laminate, square edge	1 ¼	32	72	1829	36	914	80	36.3
UCS3696	Chemsurf laminate, square edge	1 ¼	32	96	2438	36	914	108	49.0
UCCS2448	Chemsurf laminate, corner, square edge	1 ¼	32	48	1219	24	610	72	32.7
UCCS3048	Chemsurf laminate, corner, square edge	1 ¼	32	48	1219	30	762	74	33.6
UCCS3648	Chemsurf laminate, corner, square edge	1 ¼	32	48	1219	36	914	78	35.4

Rev 02/12/18





**ULTRA SURFACES, CHEMSURF LAM., FULL-ROUND EDGE**

- 1¼" high Chemsurf laminate surfaces are made for highly corrosive environments with exceptional chemical and wear resistance.
- Surfaces mount to ErgoStats®, Table Bases, UltraFrames and Panels.
- Surfaces have matching vinyl full-round front edges with square edge-band on the back and side edges.
- Surfaces are predrilled for supports and most accessories.
- Corner surfaces include one corner bracket.
- Load capacity 500 lbs. evenly distributed.

**NOTES**

- » For corner surfaces order left- and right-side supports separately; see pages 4.31 - 4.33.
- » Surface supports sold separately; see pages 4.31 - 4.33.
- » 72" and 96" wide frame-mounted surfaces must be supported in the center by Surface Cantilever Supports. Specify one 18" cantilever per 24" and 30" deep surface and one 24" cantilever per 36" deep surface.

**How to Specify**

**Step 1. Product Number**

UCR Rectangular Surface, Full-Round Edge  
 UCCR Corner Surface, Full-Round Edge

**Step 2. Depth**

24 24" deep 30 30" deep 36 36" deep

**Step 3. Width (Corner is 48" only)**

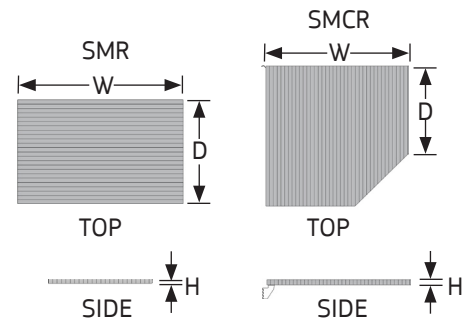
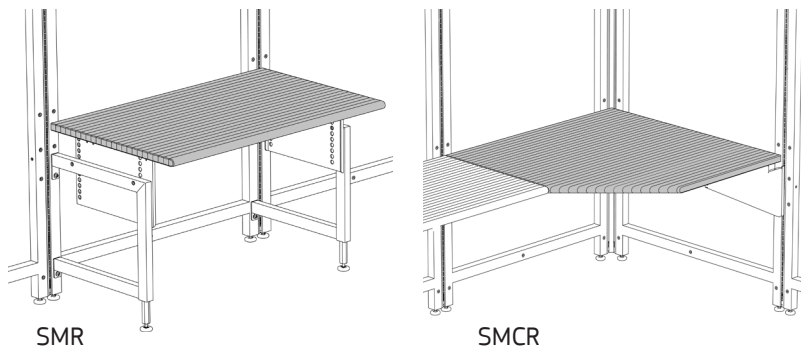
24 24" wide 30 30" wide 36 36" wide  
 48 48" wide 60 60" wide 72 72" wide  
 96 96" wide

**Step 4. Laminate Color Code**

CBK Black  
 CGL Grey Light  
 CNW Neutral White

Product Number	Description	Height		Width		Depth		Weight	
		in.	[mm]	in.	[mm]	in.	[mm]	lb.	[kg]
UCR2424	Chemsurf laminate, full-round edge	1 ¼	32	24	610	24	610	22	10.0
UCR2430	Chemsurf laminate, full-round edge	1 ¼	32	30	762	24	610	24	10.9
UCR2436	Chemsurf laminate, full-round edge	1 ¼	32	36	914	24	610	29	13.2
UCR2448	Chemsurf laminate, full-round edge	1 ¼	32	48	1219	24	610	36	16.3
UCR2460	Chemsurf laminate, full-round edge	1 ¼	32	60	1524	24	610	45	20.4
UCR2472	Chemsurf laminate, full-round edge	1 ¼	32	72	1829	24	610	54	24.5
UCR2496	Chemsurf laminate, full-round edge	1 ¼	32	96	2438	24	610	72	32.7
UCR3024	Chemsurf laminate, full-round edge	1 ¼	32	24	610	30	762	24	10.9
UCR3030	Chemsurf laminate, full-round edge	1 ¼	32	30	762	30	762	30	13.6
UCR3036	Chemsurf laminate, full-round edge	1 ¼	32	36	914	30	762	36	16.3
UCR3048	Chemsurf laminate, full-round edge	1 ¼	32	48	1219	30	762	45	20.4
UCR3060	Chemsurf laminate, full-round edge	1 ¼	32	60	1524	30	762	56	25.4
UCR3072	Chemsurf laminate, full-round edge	1 ¼	32	72	1829	30	762	67	30.4
UCR3096	Chemsurf laminate, full-round edge	1 ¼	32	96	2438	30	762	90	40.8
UCR3624	Chemsurf laminate, full-round edge	1 ¼	32	24	610	36	762	26	11.8
UCR3630	Chemsurf laminate, full-round edge	1 ¼	32	30	762	36	914	36	16.3
UCR3636	Chemsurf laminate, full-round edge	1 ¼	32	36	914	36	914	43	19.5
UCR3648	Chemsurf laminate, full-round edge	1 ¼	32	48	1219	36	914	54	24.5
UCR3660	Chemsurf laminate, full-round edge	1 ¼	32	60	1524	36	914	67	30.4
UCR3672	Chemsurf laminate, full-round edge	1 ¼	32	72	1829	36	914	80	36.3
UCR3696	Chemsurf laminate, full-round edge	1 ¼	32	96	2438	36	914	108	49.0
UCCR2448	Chemsurf laminate, corner, full-round edge	1 ¼	32	48	1219	24	610	72	32.7
UCCR3048	Chemsurf laminate, corner, full-round edge	1 ¼	32	48	1219	30	762	74	33.6
UCCR3648	Chemsurf laminate, corner, full-round edge	1 ¼	32	48	1219	36	914	78	35.4

Rev 02/12/18



**ULTRA SURFACES, HARDWOOD, 1 1/4" FULL RADIUS EDGE**

- 1 1/4" high Hardwood Surfaces mount to ErgoStats®, Table Bases, UltraFrames and Panels.
- Surfaces consist of kiln-dried hardwood strips that are face glued, sanded smooth and finished with a two coat catalyzed varnish.
- 1 1/4" high Hardwood has a full radius front edge with square-edged backs and sides.
- Corner surfaces include one corner bracket.
- Surfaces are predrilled for supports and most accessories.
- Load capacity 500 lbs. evenly distributed.

**NOTES**

- » For corner surfaces order left- and right-side supports separately; see pages 4.31 - 4.33.
- » Surface supports sold separately; see pages 4.31 - 4.33.
- » 72" and 96" wide frame-mounted surfaces must be supported in the center by Surface Cantilever Supports. Specify one 18" cantilever per 30" deep surface and one 24" cantilever per 36" deep surface.

**How to Specify**

**Step 1. Product Number**

- SMR Rectangular Surface, Full Radius Edge
- SMCR Corner Surface, Full Radius Edge

**Step 2. Depth**

- 30 30" deep 36 36" deep

**Step 3. Width (Corner is 48" only)**

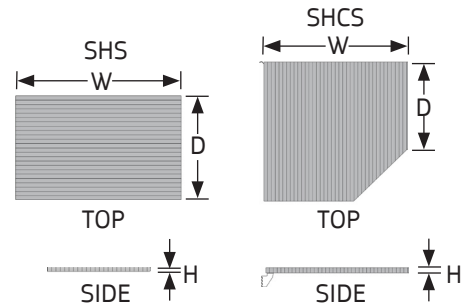
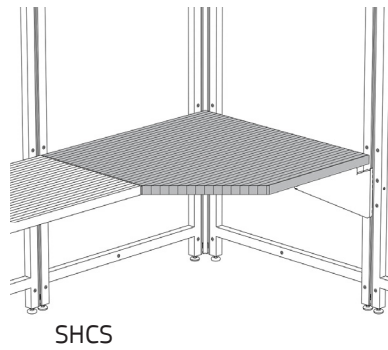
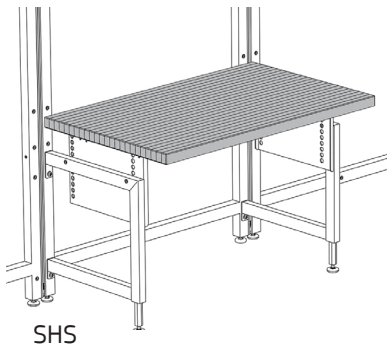
- 24 24" wide 30 30" wide 36 36" wide
- 48 48" wide 60 60" wide 72 72" wide
- 96 96" wide

**Step 4. Color**

- CC Hardwood

Product Number	Description	Height		Width		Depth		Weight	
		in.	[mm]	in.	[mm]	in.	[mm]	lb.	[kg]
SMR3024CC	Hardwood, 1 1/4", full-radius edge	1 1/4	32	24	610	30	610	25	11.3
SMR3030CC	Hardwood, 1 1/4", full-radius edge	1 1/4	32	30	762	30	610	31	14.1
SMR3036CC	Hardwood, 1 1/4", full-radius edge	1 1/4	32	36	914	30	610	38	17.2
SMR3048CC	Hardwood, 1 1/4", full-radius edge	1 1/4	32	48	1219	30	610	50	22.7
SMR3060CC	Hardwood, 1 1/4", full-radius edge	1 1/4	32	60	1524	30	610	63	28.6
SMR3072CC	Hardwood, 1 1/4", full-radius edge	1 1/4	32	72	1829	30	610	75	34.0
SMR3096CC	Hardwood, 1 1/4", full-radius edge	1 1/4	32	96	2438	30	610	100	45.4
SMR3636CC	Hardwood, 1 1/4", full-radius edge	1 1/4	32	36	914	36	914	45	20.4
SMR3648CC	Hardwood, 1 1/4", full-radius edge	1 1/4	32	48	1219	36	914	60	27.2
SMR3660CC	Hardwood, 1 1/4", full-radius edge	1 1/4	32	60	1524	36	914	75	34.0
SMR3672CC	Hardwood, 1 1/4", full-radius edge	1 1/4	32	72	1829	36	914	90	40.8
SMR3696CC	Hardwood, 1 1/4", full-radius edge	1 1/4	32	96	2438	36	914	120	54.4
SMCR3048CC	Hardwood, Corner, 1 1/4", full-radius edge	1 1/4	32	48	1219	30	762	74	33.6
SMCR3648CC	Hardwood, Corner, 1 1/4", full-radius edge	1 1/4	32	48	1219	36	914	78	35.4

Rev 09/27/24



**ULTRA SURFACES, HARDWOOD, 1 3/4" SQUARE EDGE**

- 1 3/4" high Hardwood Surfaces mount to ErgoStats®, Table Bases, UltraFrames and Panels.
- Surfaces consist of kiln-dried hardwood strips that are face glued, sanded smooth and finished with a two coat catalyzed varnish.
- 1 3/4" high Hardwood has a square-edged front, back and sides.
- Corner surfaces include one corner bracket.
- Surfaces are predrilled for supports and most accessories.
- Load capacity 500 lbs. evenly distributed.

**NOTES**

- » For corner surfaces order left- and right-side supports separately; see pages 4.31 - 4.33.
- » Surface supports sold separately; see pages 4.31 - 4.33.
- » 72" and 96" wide frame-mounted surfaces must be supported in the center by Surface Cantilever Supports. Specify one 18" cantilever per 30" deep surface and one 24" cantilever per 36" deep surface.

**How to Specify**

**Step 1. Product Number**

- SHS Rectangular Surface, Square Edge
- SHCS Corner Surface, Square Edge

**Step 2. Depth**

- 30 30" deep 36 36" deep

**Step 3. Width (Corner is 48" only)**

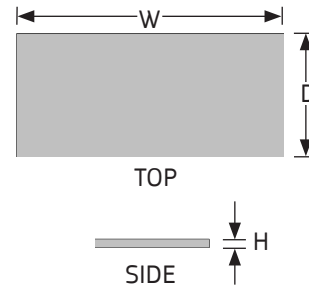
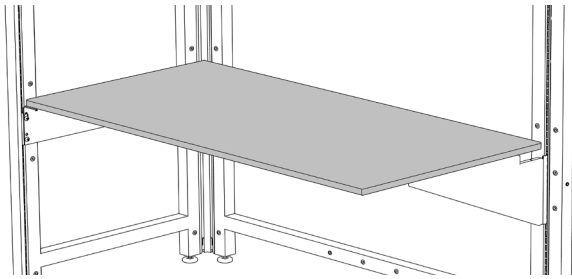
- 24 24" wide 30 30" wide 36 36" wide
- 48 48" wide 60 60" wide 72 72" wide
- 96 96" wide

**Step 4. Color**

- CC Hardwood

Product Number	Description	Height		Width		Depth		Weight	
		in.	[mm]	in.	[mm]	in.	[mm]	lb.	[kg]
SHS3024CC	Hardwood, 1 3/4", square edge	1 3/4	44	24	610	30	610	35	15.9
SHS3030CC	Hardwood, 1 3/4", square edge	1 3/4	44	30	762	30	610	43	19.5
SHS3036CC	Hardwood, 1 3/4", square edge	1 3/4	44	36	914	30	610	53	24.0
SHS3048CC	Hardwood, 1 3/4", square edge	1 3/4	44	48	1219	30	610	70	31.8
SHS3060CC	Hardwood, 1 3/4", square edge	1 3/4	44	60	1524	30	610	88	39.9
SHS3072CC	Hardwood, 1 3/4", square edge	1 3/4	44	72	1829	30	610	105	47.6
SHS3096CC	Hardwood, 1 3/4", square edge	1 3/4	44	96	2438	30	610	140	63.5
SHS3636CC	Hardwood, 1 3/4", square edge	1 3/4	44	36	914	36	914	63	28.6
SHS3648CC	Hardwood, 1 3/4", square edge	1 3/4	44	48	1219	36	914	84	38.1
SHS3660CC	Hardwood, 1 3/4", square edge	1 3/4	44	60	1524	36	914	105	47.6
SHS3672CC	Hardwood, 1 3/4", square edge	1 3/4	44	72	1829	36	914	126	57.2
SHS3696CC	Hardwood, 1 3/4", square edge	1 3/4	44	96	2438	36	914	168	76.2
SHCS3048CC	Hardwood, Corner, 1 3/4", square edge	1 3/4	44	48	1219	30	762	104	47.2
SHCS3648CC	Hardwood, Corner, 1 3/4", square edge	1 3/4	44	48	1219	36	914	109	49.4

Rev 09/27/24



## ULTRA SURFACES, STAINLESS STEEL

- Stainless Steel Surfaces are made for areas where high abrasion, chemical resistance and sterilization are required.
- Surfaces mount to ErgoStats®, Table Bases, WorkTables, UltraFrames and Panels.
- Manufactured using 16 gauge stainless steel with a #4 brush finish.
- Surface is constructed of a stainless steel "cap" (tops and sides are formed from one sheet of steel with welded corners) assembled to a core which is laminated with backer material. The joint between the cap and core is sealed around the full perimeter.
- Load capacity is 500 lbs. evenly distributed.

### NOTES

- » Surface supports sold separately; see pages 4.31 - 4.33.
- » 72" and 96" wide frame-mounted surfaces must be supported in the center by Surface Cantilever Supports. Specify one 18" cantilever per 24" and 30" deep surface and one 24" cantilever per 36" deep surface.

## How to Specify

### Step 1. Product Number

USC Ultra Surface, Stainless Steel

### Step 2. Depth

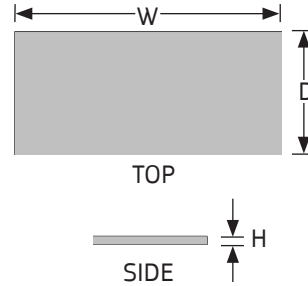
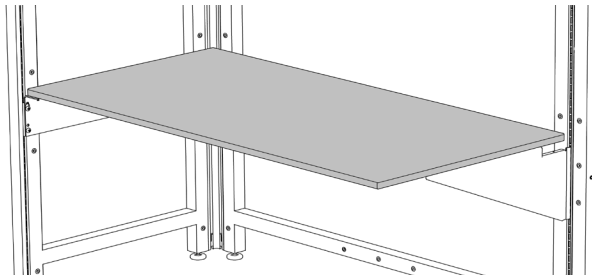
24 24" deep    30 30" deep    36 36" deep

### Step 3. Width

36 36" wide    48 48" wide    60 60" wide  
72 72" wide    96 96" wide

Product Number	Description	Height		Width		Depth		Weight	
		in.	[mm]	in.	[mm]	in.	[mm]	lb.	[kg]
USC2436	Stainless steel, square edge	1 1/8	28	36	914	24	610	44	20.0
USC2448	Stainless steel, square edge	1 1/8	29	48	1219	24	610	59	26.8
USC2460	Stainless steel, square edge	1 1/8	29	60	1524	24	610	73	33.1
USC2472	Stainless steel, square edge	1 1/8	29	72	1829	24	610	88	39.9
USC2496	Stainless steel, square edge	1 1/8	29	96	2438	24	610	117	53.1
USC3036	Stainless steel, square edge	1 1/8	29	36	914	30	762	55	24.9
USC3048	Stainless steel, square edge	1 1/8	29	48	1219	30	762	74	33.6
USC3060	Stainless steel, square edge	1 1/8	29	60	1524	30	762	92	41.7
USC3072	Stainless steel, square edge	1 1/8	29	72	1829	30	762	110	49.9
USC3096	Stainless steel, square edge	1 1/8	29	96	2438	30	762	147	66.7
USC3636	Stainless steel, square edge	1 1/8	29	36	914	36	914	66	29.9
USC3648	Stainless steel, square edge	1 1/8	29	48	1219	36	914	88	39.9
USC3660	Stainless steel, square edge	1 1/8	29	60	1524	36	914	110	49.9
USC3672	Stainless steel, square edge	1 1/8	29	72	1829	36	914	132	59.9
USC3696	Stainless steel, square edge	1 1/8	29	96	2438	36	914	176	79.8

Rev 02/12/18



**PHENOLIC SYSTEMS SURFACES**

- 1" high solid Phenolic Resin Surfaces are made for highly corrosive environments with exceptional chemical and wear resistance. Contact factory for detailed chemical resistance test data.
- Surfaces mount to ErgoStats®, Table Bases, WorkTables, UltraFrames and Panels.
- Surfaces have smooth 1/8" radius corners and are predrilled for end surface supports.
- Load capacity 300 lbs. evenly distributed.
- Finish is Black.

**NOTES**

- » Surface supports sold separately; see pages 4.31 - 4.33.
- » 72" and 96" wide frame-mounted surfaces must be supported in the center by Surface Cantilever Supports. Specify one 18" cantilever per 24" and 30" deep surface and one 24" cantilever per 36" deep surface.
- » Phenolic (undrilled) Lab Surfaces available; see Section 10.

**How to Specify**

**Step 1. Product Number**

TSP Phenolic Resin Surface

**Step 2. Depth**

24 24" deep 30 30" deep 36 36" deep

**Step 3. Width**

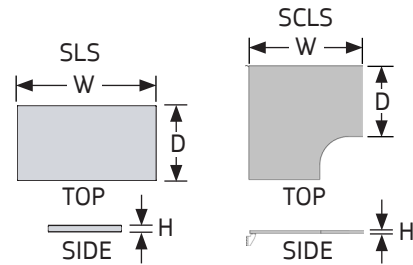
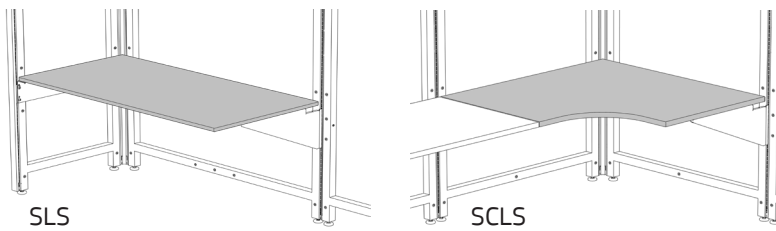
24 24" wide 30 30" wide 36 36" wide  
 48 48" wide 60 60" wide 72 72" wide  
 96 96" wide

**Step 4. Color Code**

BK Black

Product Number	Description	Height		Width		Depth		Weight	
		in.	[mm]	in.	[mm]	in.	[mm]	lb.	[kg]
TSP2424BK	Phenolic, 1/8" radius edge	1	25	24	610	24	610	29	13.2
TSP2430BK	Phenolic, 1/8" radius edge	1	25	30	762	24	610	36	16.3
TSP2436BK	Phenolic, 1/8" radius edge	1	25	36	914	24	610	43	19.5
TSP2448BK	Phenolic, 1/8" radius edge	1	25	48	1219	24	610	58	26.3
TSP2460BK	Phenolic, 1/8" radius edge	1	25	60	1524	24	610	72	32.7
TSP2472BK	Phenolic, 1/8" radius edge	1	25	72	1829	24	610	86	39.0
TSP2496BK	Phenolic, 1/8" radius edge	1	25	96	2438	24	610	115	52.2
TSP3024BK	Phenolic, 1/8" radius edge	1	25	24	610	30	762	36	16.3
TSP3030BK	Phenolic, 1/8" radius edge	1	25	30	762	30	762	45	20.4
TSP3036BK	Phenolic, 1/8" radius edge	1	25	36	914	30	762	54	24.5
TSP3048BK	Phenolic, 1/8" radius edge	1	25	48	1219	30	762	72	32.7
TSP3060BK	Phenolic, 1/8" radius edge	1	25	60	1524	30	762	90	40.8
TSP3072BK	Phenolic, 1/8" radius edge	1	25	72	1829	30	762	108	49.0
TSP3096BK	Phenolic, 1/8" radius edge	1	25	96	2438	30	762	144	65.3
TSP3624BK	Phenolic, 1/8" radius edge	1	25	24	610	30	762	43	19.5
TSP3630BK	Phenolic, 1/8" radius edge	1	25	30	762	36	914	54	24.5
TSP3636BK	Phenolic, 1/8" radius edge	1	25	36	914	36	914	65	29.5
TSP3648BK	Phenolic, 1/8" radius edge	1	25	48	1219	36	914	86	39.0
TSP3660BK	Phenolic, 1/8" radius edge	1	25	60	1524	36	914	108	49.0
TSP3672BK	Phenolic, 1/8" radius edge	1	25	72	1829	36	914	130	59.0
TSP3696BK	Phenolic, 1/8" radius edge	1	25	96	2438	36	914	173	78.5

Rev 02/12/18



**STD. SURFACES, STD. LAMINATE, SQUARE EDGE**

- 1¼" high laminate rectangular and corner surfaces mount to ErgoStats®, Table Bases, UltraFrames and Panels.
- Surfaces have square corners with matching square edge band.
- Surfaces are predrilled for supports and most accessories.
- Corner surfaces include one corner bracket.
- Load capacity 300 lbs. evenly distributed.

**NOTES**

- » For corner surfaces order left- and right-side supports separately; see pages 4.31 - 4.33.
- » Surface supports sold separately; see pages 4.31 - 4.33.
- » 72" and 96" wide frame-mounted surfaces must be supported in the center by Surface Cantilever Supports. Specify one 18" cantilever per 24" and 30" deep surface and one 24" cantilever per 36" deep surface.

**How to Specify**

**Step 1. Product Number**

- SLS Rectangular Surface, Square Edge
- SCLS Corner Surface, Square Edge

**Step 2. Depth**

- 24 24" deep    30 30" deep    36 36" deep

**Step 3. Width (Corner is 48" only)**

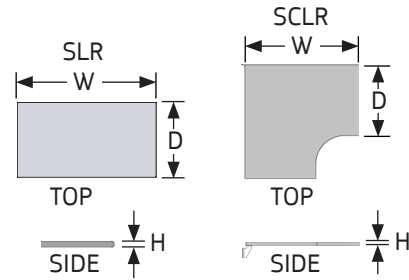
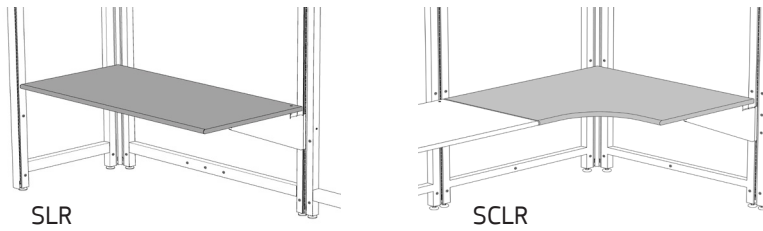
- 24 24" wide    30 30" wide    36 36" wide
- 48 48" wide    60 60" wide    72 72" wide
- 96 96" wide

**Step 4. Laminate Color Code**

- AW Arctic White            NW Neutral White
- BK Black                    SA Sand
- GF Grey Fleck            WF White Fleck
- GL Grey Light

Product Number	Description	Height		Width		Depth		Weight	
		in.	[mm]	in.	[mm]	in.	[mm]	lb.	[kg]
SLS2424	Standard laminate, square edge	1 ¼	32	24	610	24	610	22	10.0
SLS2430	Standard laminate, square edge	1 ¼	32	30	762	24	610	24	10.9
SLS2436	Standard laminate, square edge	1 ¼	32	36	914	24	610	29	13.2
SLS2448	Standard laminate, square edge	1 ¼	32	48	1219	24	610	36	16.3
SLS2460	Standard laminate, square edge	1 ¼	32	60	1524	24	610	45	20.4
SLS2472	Standard laminate, square edge	1 ¼	32	72	1829	24	610	54	24.5
SLS2496	Standard laminate, square edge	1 ¼	32	96	2438	24	610	72	32.7
SLS3024	Standard laminate, square edge	1 ¼	32	24	610	30	762	24	10.9
SLS3030	Standard laminate, square edge	1 ¼	32	30	762	30	762	30	13.6
SLS3036	Standard laminate, square edge	1 ¼	32	36	914	30	762	36	16.3
SLS3048	Standard laminate, square edge	1 ¼	32	48	1219	30	762	45	20.4
SLS3060	Standard laminate, square edge	1 ¼	32	60	1524	30	762	56	25.4
SLS3072	Standard laminate, square edge	1 ¼	32	72	1829	30	762	67	30.4
SLS3096	Standard laminate, square edge	1 ¼	32	96	2438	30	762	90	40.8
SLS3624	Standard laminate, square edge	1 ¼	32	24	610	36	762	26	11.8
SLS3630	Standard laminate, square edge	1 ¼	32	30	762	36	914	36	16.3
SLS3636	Standard laminate, square edge	1 ¼	32	36	914	36	914	43	19.5
SLS3648	Standard laminate, square edge	1 ¼	32	48	1219	36	914	54	24.5
SLS3660	Standard laminate, square edge	1 ¼	32	60	1524	36	914	67	30.4
SLS3672	Standard laminate, square edge	1 ¼	32	72	1829	36	914	80	36.3
SLS3696	Standard laminate, square edge	1 ¼	32	96	2438	36	914	108	49.0
SCLS2448	Standard laminate, corner, square edge	1 ¼	32	48	1219	24	610	72	32.7
SCLS3048	Standard laminate, corner, square edge	1 ¼	32	48	1219	30	762	74	33.6
SCLS3648	Standard laminate, corner, square edge	1 ¼	32	48	1219	36	914	78	35.4

Rev 06/20/24



**STD. SURFACES, STD. LAMINATE, FULL-ROUND EDGE**

- 1¼" high laminate rectangular and corner surfaces mount to ErgoStats®, Table Bases, UltraFrames and Panels.
- Surfaces have a vinyl full-round front with matching square edge on the back and sides.
- Surfaces are predrilled for supports and most accessories.
- Corner surfaces include one corner bracket.
- Load capacity 300 lbs. evenly distributed.

**NOTES**

- » For corner surfaces order left- and right-side supports separately; see pages 4.31 - 4.33.
- » Surface supports sold separately; see pages 4.31 - 4.33.
- » 72" and 96" wide frame-mounted surfaces must be supported in the center by Surface Cantilever Supports. Specify one 18" cantilever per 24" and 30" deep surface and one 24" cantilever per 36" deep surface.

**How to Specify**

**Step 1. Product Number**

- SLR Rectangular Surface, Full-Round Edge
- SCLR Corner Surface, Full-Round Edge

**Step 2. Depth**

- 24 24" deep 30 30" deep 36 36" deep

**Step 3. Width (Corner is 48" only)**

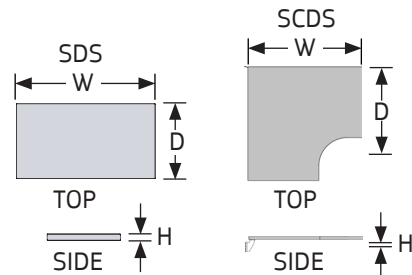
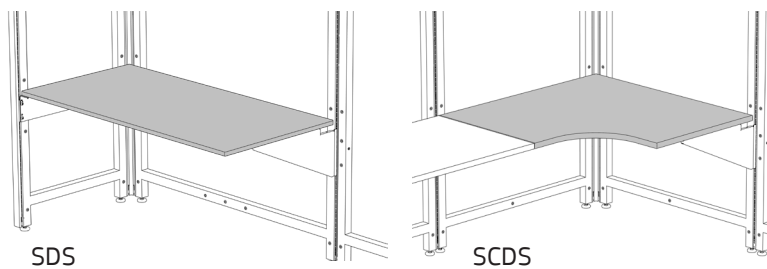
- 24 24" wide 30 30" wide 36 36" wide
- 48 48" wide 60 60" wide 72 72" wide
- 96 96" wide

**Step 4. Laminate Color Code**

- AW Arctic White
- BK Black
- GF Grey Fleck
- GL Grey Light
- NW Neutral White
- SA Sand
- WF White Fleck

Product Number	Description	Height		Width		Depth		Weight	
		in.	[mm]	in.	[mm]	in.	[mm]	lb.	[kg]
SLR2424	Standard laminate, full-round edge	1 ¼	32	24	610	24	610	22	10.0
SLR2430	Standard laminate, full-round edge	1 ¼	32	30	762	24	610	24	10.9
SLR2436	Standard laminate, full-round edge	1 ¼	32	36	914	24	610	29	13.2
SLR2448	Standard laminate, full-round edge	1 ¼	32	48	1219	24	610	36	16.3
SLR2460	Standard laminate, full-round edge	1 ¼	32	60	1524	24	610	45	20.4
SLR2472	Standard laminate, full-round edge	1 ¼	32	72	1829	24	610	54	24.5
SLR2496	Standard laminate, full-round edge	1 ¼	32	96	2438	24	610	72	32.7
SLR3024	Standard laminate, full-round edge	1 ¼	32	24	610	30	762	24	10.9
SLR3030	Standard laminate, full-round edge	1 ¼	32	30	762	30	762	30	13.6
SLR3036	Standard laminate, full-round edge	1 ¼	32	36	914	30	762	36	16.3
SLR3048	Standard laminate, full-round edge	1 ¼	32	48	1219	30	762	45	20.4
SLR3060	Standard laminate, full-round edge	1 ¼	32	60	1524	30	762	56	25.4
SLR3072	Standard laminate, full-round edge	1 ¼	32	72	1829	30	762	67	30.4
SLR3096	Standard laminate, full-round edge	1 ¼	32	96	2438	30	762	90	40.8
SLR3624	Standard laminate, full-round edge	1 ¼	32	24	610	36	762	26	11.8
SLR3630	Standard laminate, full-round edge	1 ¼	32	30	762	36	914	36	16.3
SLR3636	Standard laminate, full-round edge	1 ¼	32	36	914	36	914	43	19.5
SLR3648	Standard laminate, full-round edge	1 ¼	32	48	1219	36	914	54	24.5
SLR3660	Standard laminate, full-round edge	1 ¼	32	60	1524	36	914	67	30.4
SLR3672	Standard laminate, full-round edge	1 ¼	32	72	1829	36	914	80	36.3
SLR3696	Standard laminate, full-round edge	1 ¼	32	96	2438	36	914	108	49.0
SCLR2448	Standard laminate, corner, full-round edge	1 ¼	32	48	1219	24	610	72	32.7
SCLR3048	Standard laminate, corner, full-round edge	1 ¼	32	48	1219	30	762	74	33.6
SCLR3648	Standard laminate, corner, full-round edge	1 ¼	32	48	1219	36	914	78	35.4

Rev 06/20/24



**STD. SURFACES, ESD LAMINATE, SQUARE EDGE**

- 1¼" high ESD laminate surfaces mount to ErgoStats®, Table Bases, UltraFrames and Panels.
- Symbiote dissipative surfaces are manufactured with Nevamar® Static Dissipative Laminates (SDL). Nevamar SDL is manufactured to have a point to point and point to ground resistance of 1 x 106 to 1 x 109 ohms @ 10-60% relative humidity. Nevamar SDL conforms to ESD Association Standard ESD-S4.1.
- Dissipative Surfaces include a Laminate Grounding Terminal Kit.
- Surfaces have square corners with matching square edge-band.
- Corner surfaces include one corner bracket.
- Surfaces are predrilled for supports and most accessories.
- Load capacity 300 lbs. evenly distributed.

**NOTES**

- » Corner surfaces ship with one corner bracket. Order left- and right-side supports separately; see pages 4.31 - 4.33.
- » Surface supports sold separately; see pages 4.31 - 4.33.
- » 72" and 96" wide frame-mounted surfaces must be supported in the center by Surface Cantilever Supports. Specify one 18" cantilever per 24" and 30" deep surface and one 24" cantilever per 36" deep surface.
- » Customers are responsible for specifying ESD surface requirements; corporate ESD standards must be consulted prior to ordering.

**How to Specify**

**Step 1. Product Number**

- SDS Rectangular Surface, Square Edge
- SCDS Corner Surface, Square Edge

**Step 2. Depth**

- 24 24" deep 30 30" deep 36 36" deep

**Step 3. Width (Corner is 48" only)**

- 24 24" wide 30 30" wide 36 36" wide
- 48 48" wide 60 60" wide 72 72" wide
- 96 96" wide

**Step 4. Laminate Color Code**

- DBK Dissipative Black
- DG Dissipative Grey
- DNW Dissipative Neutral White
- DS Dissipative Sand
- DW Dissipative White

Product Number	Description	Height		Width		Depth		Weight	
		in.	[mm]	in.	[mm]	in.	[mm]	lb.	[kg]
SDS2424	ESD laminate, square edge	1 ¼	32	24	610	24	610	22	10.0
SDS2430	ESD laminate, square edge	1 ¼	32	30	762	24	610	24	10.9
SDS2436	ESD laminate, square edge	1 ¼	32	36	914	24	610	29	13.2
SDS2448	ESD laminate, square edge	1 ¼	32	48	1219	24	610	36	16.3
SDS2460	ESD laminate, square edge	1 ¼	32	60	1524	24	610	45	20.4
SDS2472	ESD laminate, square edge	1 ¼	32	72	1829	24	610	54	24.5
SDS2496	ESD laminate, square edge	1 ¼	32	96	2438	24	610	72	32.7
SDS3024	ESD laminate, square edge	1 ¼	32	24	610	30	762	24	10.9
SDS3030	ESD laminate, square edge	1 ¼	32	30	762	30	762	30	13.6
SDS3036	ESD laminate, square edge	1 ¼	32	36	914	30	762	36	16.3

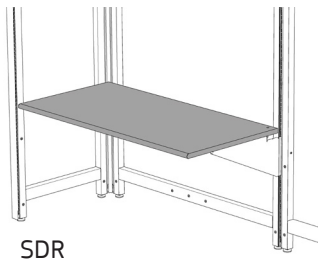
Cont'd



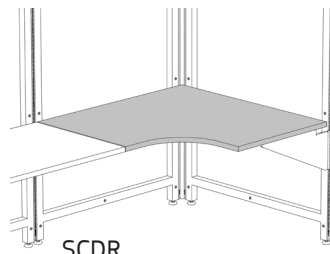
**STD. SURFACES, ESD LAMINATE, SQUARE EDGE** (Cont'd)

Product Number	Description	Height		Width		Depth		Weight	
		in.	[mm]	in.	[mm]	in.	[mm]	lb.	[kg]
SDS3048	ESD laminate, square edge	1 ¼	32	48	1219	30	762	45	20.4
SDS3060	ESD laminate, square edge	1 ¼	32	60	1524	30	762	56	25.4
SDS3072	ESD laminate, square edge	1 ¼	32	72	1829	30	762	67	30.4
SDS3096	ESD laminate, square edge	1 ¼	32	96	2438	30	762	90	40.8
SDS3624	ESD laminate, square edge	1 ¼	32	24	610	36	762	26	11.8
SDS3630	ESD laminate, square edge	1 ¼	32	30	762	36	914	36	16.3
SDS3636	ESD laminate, square edge	1 ¼	32	36	914	36	914	43	19.5
SDS3648	ESD laminate, square edge	1 ¼	32	48	1219	36	914	54	24.5
SDS3660	ESD laminate, square edge	1 ¼	32	60	1524	36	914	67	30.4
SDS3672	ESD laminate, square edge	1 ¼	32	72	1829	36	914	80	36.3
SDS3696	ESD laminate, square edge	1 ¼	32	96	2438	36	914	108	49.0
SCDS2448	ESD laminate, corner, square edge	1 ¼	32	48	1219	24	610	72	32.7
SCDS3048	ESD laminate, corner, square edge	1 ¼	32	48	1219	30	762	74	33.6
SCDS3648	ESD laminate, corner, square edge	1 ¼	32	48	1219	36	914	78	35.4

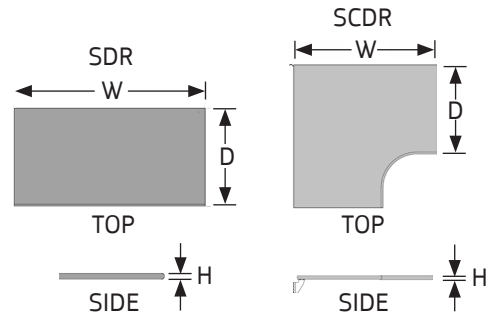
Rev 09/24/20



SDR



SCDR



**STD. SURFACES, ESD LAMINATE, FULL-ROUND EDGE**

- 1¼" high ESD laminate surfaces mount to ErgoStats®, Table Bases, UltraFrames and Panels.
- Symbiote dissipative surfaces are manufactured with Nevamar® Static Dissipative Laminates (SDL). Nevamar SDL is manufactured to have a point to point and point to ground resistance of 1 x 106 to 1 x 109 ohms @ 10-60% relative humidity. Nevamar SDL conforms to ESD Association Standard ESD-S4.1.
- Dissipative Surfaces include a Laminate Grounding Terminal Kit.
- Surfaces have vinyl full-round front edges with square edge-band on the back and side edges.
- Corner surfaces include one corner bracket.
- Surfaces are predrilled for supports and most accessories.
- Load capacity 300 lbs. evenly distributed.

**NOTES**

- » Corner surfaces ship with one corner bracket. Order left- and right-side supports separately; see pages 4.31 - 4.33.
- » Surface supports sold separately; see pages 4.31 - 4.33.
- » 72" and 96" wide frame-mounted surfaces must be supported in the center by Surface Cantilever Supports. Specify one 18" cantilever per 24" and 30" deep surface and one 24" cantilever per 36" deep surface.
- » Customers are responsible for specifying ESD surface requirements; corporate ESD standards must be consulted prior to ordering.

**How to Specify**

**Step 1. Product Number**

- SDR Rectangular Surface, full-round edge
- SCDR Corner Surface, full-round edge

**Step 2. Depth**

- 24 24" deep 30 30" deep 36 36" deep

**Step 3. Width (Corner is 48" only)**

- 24 24" wide 30 30" wide 36 36" wide
- 48 48" wide 60 60" wide 72 72" wide
- 96 96" wide

**Step 4. Laminate Color Code**

- DBK Dissipative Black
- DG Dissipative Grey
- DNW Dissipative Neutral White
- DS Dissipative Sand
- DW Dissipative White

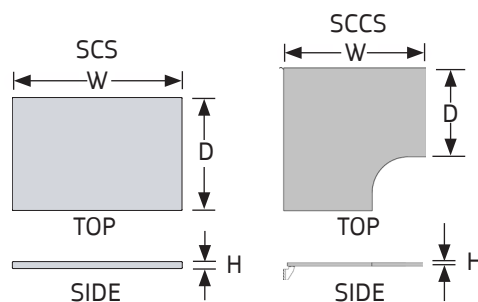
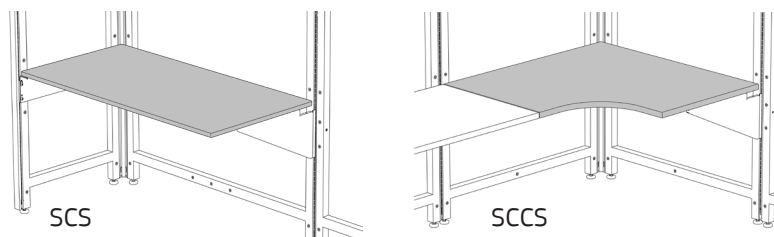
Product Number	Description	Height		Width		Depth		Weight	
		in.	[mm]	in.	[mm]	in.	[mm]	lb.	[kg]
SDR2424	ESD laminate, full-round edge	1 ¼	32	24	610	24	610	22	10.0
SDR2430	ESD laminate, full-round edge	1 ¼	32	30	762	24	610	24	10.9
SDR2436	ESD laminate, full-round edge	1 ¼	32	36	914	24	610	29	13.2
SDR2448	ESD laminate, full-round edge	1 ¼	32	48	1219	24	610	36	16.3
SDR2460	ESD laminate, full-round edge	1 ¼	32	60	1524	24	610	45	20.4
SDR2472	ESD laminate, full-round edge	1 ¼	32	72	1829	24	610	54	24.5
SDR2496	ESD laminate, full-round edge	1 ¼	32	96	2438	24	610	72	32.7
SDR3024	ESD laminate, full-round edge	1 ¼	32	24	610	30	762	24	10.9
SDR3030	ESD laminate, full-round edge	1 ¼	32	30	762	30	762	30	13.6
SDR3036	ESD laminate, full-round edge	1 ¼	32	36	914	30	762	36	16.3

Cont'd

**STD. SURFACES, ESD LAMINATE, FULL-ROUND EDGE** (Cont'd)

Product Number	Description	Height		Width		Depth		Weight	
		in.	[mm]	in.	[mm]	in.	[mm]	lb.	[kg]
SDR3048	ESD laminate, full-round edge	1 ¼	32	48	1219	30	762	45	20.4
SDR3060	ESD laminate, full-round edge	1 ¼	32	60	1524	30	762	56	25.4
SDR3072	ESD laminate, full-round edge	1 ¼	32	72	1829	30	762	67	30.4
SDR3096	ESD laminate, full-round edge	1 ¼	32	96	2438	30	762	90	40.8
SDR3624	ESD laminate, full-round edge	1 ¼	32	24	610	36	762	26	11.8
SDR3630	ESD laminate, full-round edge	1 ¼	32	30	762	36	914	36	16.3
SDR3636	ESD laminate, full-round edge	1 ¼	32	36	914	36	914	43	19.5
SDR3648	ESD laminate, full-round edge	1 ¼	32	48	1219	36	914	54	24.5
SDR3660	ESD laminate, full-round edge	1 ¼	32	60	1524	36	914	67	30.4
SDR3672	ESD laminate, full-round edge	1 ¼	32	72	1829	36	914	80	36.3
SDR3696	ESD laminate, full-round edge	1 ¼	32	96	2438	36	914	108	49.0
SCDR2448	ESD laminate, corner, full-round edge	1 ¼	32	48	1219	24	610	72	32.7
SCDR3048	ESD laminate, corner, full-round edge	1 ¼	32	48	1219	30	762	74	33.6
SCDR3648	ESD laminate, corner, full-round edge	1 ¼	32	48	1219	36	914	78	35.4

Rev 09/24/20



**STD. SURFACES, CHEMSURF LAM., SQUARE EDGE**

- 1¼" high Chemsurf laminate surfaces are made for highly corrosive environments with exceptional chemical and wear resistance.
- Surfaces mount to ErgoStats®, Table Bases, UltraFrames and Panels.
- Surfaces have square corners with a matching square edge-band.
- Surfaces are predrilled for supports and most accessories.
- Corner surfaces include one corner bracket.
- Load capacity 300 lbs. evenly distributed.

**NOTES**

- » Corner surfaces ship with one corner bracket. Order left- and right-side supports separately; see pages 4.31 - 4.33.
- » Surface supports sold separately; see pages 4.31 - 4.33.
- » 72" and 96" wide frame-mounted surfaces must be supported in the center by Surface Cantilever Supports. Specify one 18" cantilever per 24" and 30" deep surface and one 24" cantilever per 36" deep surface.

**How to Specify**

**Step 1. Product Number**

SCS Rectangular Surface, Square Edge  
 SCCS Corner Surface, Square Edge

**Step 2. Depth**

24 24" deep 30 30" deep 36 36" deep

**Step 3. Width (Corner is 48" only)**

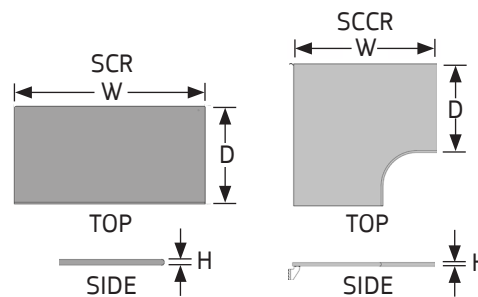
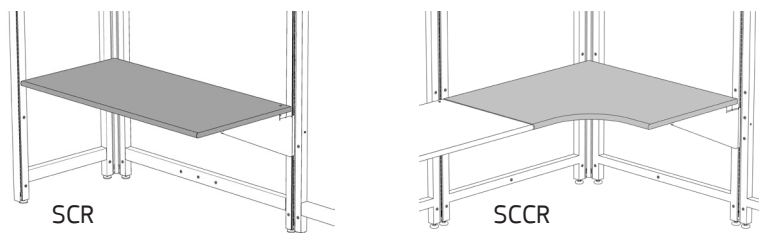
24 24" wide 30 30" wide 36 36" wide  
 48 48" wide 60 60" wide 72 72" wide  
 96 96" wide

**Step 4. Chemsurf Laminate Color Code**

CBK Black  
 CGL Grey Light  
 CNW Neutral White

Product Number	Description	Height		Width		Depth		Weight	
		in.	[mm]	in.	[mm]	in.	[mm]	lb.	[kg]
SCS2424	Chemsurf laminate, square edge	1 ¼	32	24	610	24	610	22	10.0
SCS2430	Chemsurf laminate, square edge	1 ¼	32	30	762	24	610	24	10.9
SCS2436	Chemsurf laminate, square edge	1 ¼	32	36	914	24	610	29	13.2
SCS2448	Chemsurf laminate, square edge	1 ¼	32	48	1219	24	610	36	16.3
SCS2460	Chemsurf laminate, square edge	1 ¼	32	60	1524	24	610	45	20.4
SCS2472	Chemsurf laminate, square edge	1 ¼	32	72	1829	24	610	54	24.5
SCS2496	Chemsurf laminate, square edge	1 ¼	32	96	2438	24	610	72	32.7
SCS3024	Chemsurf laminate, square edge	1 ¼	32	24	610	30	762	24	10.9
SCS3030	Chemsurf laminate, square edge	1 ¼	32	30	762	30	762	30	13.6
SCS3036	Chemsurf laminate, square edge	1 ¼	32	36	914	30	762	36	16.3
SCS3048	Chemsurf laminate, square edge	1 ¼	32	48	1219	30	762	45	20.4
SCS3060	Chemsurf laminate, square edge	1 ¼	32	60	1524	30	762	56	25.4
SCS3072	Chemsurf laminate, square edge	1 ¼	32	72	1829	30	762	67	30.4
SCS3096	Chemsurf laminate, square edge	1 ¼	32	96	2438	30	762	90	40.8
SCS3624	Chemsurf laminate, square edge	1 ¼	32	24	610	36	914	26	11.8
SCS3630	Chemsurf laminate, square edge	1 ¼	32	30	762	36	914	36	16.3
SCS3636	Chemsurf laminate, square edge	1 ¼	32	36	914	36	914	43	19.5
SCS3648	Chemsurf laminate, square edge	1 ¼	32	48	1219	36	914	54	24.5
SCS3660	Chemsurf laminate, square edge	1 ¼	32	60	1524	36	914	67	30.4
SCS3672	Chemsurf laminate, square edge	1 ¼	32	72	1829	36	914	80	36.3
SCS3696	Chemsurf laminate, square edge	1 ¼	32	96	2438	36	914	108	49.0
SCCS2448	Chemsurf laminate, corner, square edge	1 ¼	32	48	1219	24	610	72	32.7
SCCS3048	Chemsurf laminate, corner, square edge	1 ¼	32	48	1219	30	762	74	33.6
SCCS3648	Chemsurf laminate, corner, square edge	1 ¼	32	48	1219	36	914	78	35.4

Rev 02/12/18



**STD. SURFACES, CHEMSURF LAM., FULL-ROUND EDGE**

- 1¼" high Chemsurf laminate surfaces are made for highly corrosive environments with exceptional chemical and wear resistance.
- Surfaces mount to ErgoStats®, Table Bases, UltraFrames and Panels.
- Surfaces have square corners with a matching square edge-band.
- Surfaces are predrilled for supports and most accessories.
- Corner surfaces include one corner bracket.
- Load capacity 300 lbs. evenly distributed.

**NOTES**

- » Corner surfaces ship with one corner bracket. Order left- and right-side supports separately; see pages 4.31 - 4.33.
- » Surface supports sold separately; see pages 4.31 - 4.33.
- » 72" and 96" wide frame-mounted surfaces must be supported in the center by Surface Cantilever Supports. Specify one 18" cantilever per 24" and 30" deep surface and one 24" cantilever per 36" deep surface.

**How to Specify**

**Step 1. Product Number**

- SCR Rectangular Surface, Square Edge
- SCCR Corner Surface, Square Edge

**Step 2. Depth**

- 24 24" deep 30 30" deep 36 36" deep

**Step 3. Width (Corner is 48" only)**

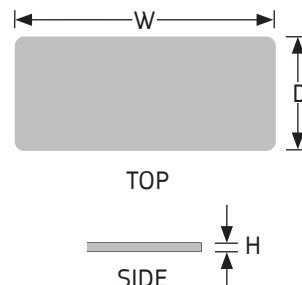
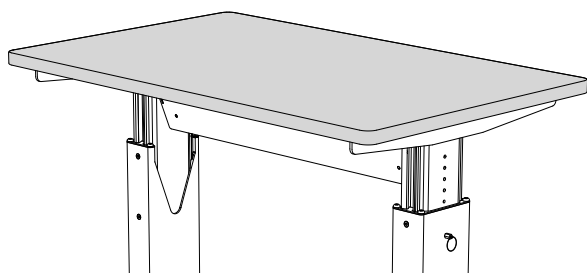
- 24 24" wide 30 30" wide 36 36" wide
- 48 48" wide 60 60" wide 72 72" wide
- 96 96" wide

**Step 4. Chemsurf Laminate Color Code**

- CBK Black
- CGL Grey Light
- CNW Neutral White

Product Number	Description	Height		Width		Depth		Weight	
		in.	[mm]	in.	[mm]	in.	[mm]	lb.	[kg]
SCR2424	Chemsurf laminate, full-round edge	1 ¼	32	24	610	24	610	22	10.0
SCR2430	Chemsurf laminate, full-round edge	1 ¼	32	30	762	24	610	24	10.9
SCR2436	Chemsurf laminate, full-round edge	1 ¼	32	36	914	24	610	29	13.2
SCR2448	Chemsurf laminate, full-round edge	1 ¼	32	48	1219	24	610	36	16.3
SCR2460	Chemsurf laminate, full-round edge	1 ¼	32	60	1524	24	610	45	20.4
SCR2472	Chemsurf laminate, full-round edge	1 ¼	32	72	1829	24	610	54	24.5
SCR2496	Chemsurf laminate, full-round edge	1 ¼	32	96	2438	24	610	72	32.7
SCR3024	Chemsurf laminate, full-round edge	1 ¼	32	24	610	30	762	24	10.9
SCR3030	Chemsurf laminate, full-round edge	1 ¼	32	30	762	30	762	30	13.6
SCR3036	Chemsurf laminate, full-round edge	1 ¼	32	36	914	30	762	36	16.3
SCR3048	Chemsurf laminate, full-round edge	1 ¼	32	48	1219	30	762	45	20.4
SCR3060	Chemsurf laminate, full-round edge	1 ¼	32	60	1524	30	762	56	25.4
SCR3072	Chemsurf laminate, full-round edge	1 ¼	32	72	1829	30	762	67	30.4
SCR3096	Chemsurf laminate, full-round edge	1 ¼	32	96	2438	30	762	90	40.8
SCR3624	Chemsurf laminate, full-round edge	1 ¼	32	24	610	36	914	26	11.8
SCR3630	Chemsurf laminate, full-round edge	1 ¼	32	30	762	36	914	36	16.3
SCR3636	Chemsurf laminate, full-round edge	1 ¼	32	36	914	36	914	43	19.5
SCR3648	Chemsurf laminate, full-round edge	1 ¼	32	48	1219	36	914	54	24.5
SCR3660	Chemsurf laminate, full-round edge	1 ¼	32	60	1524	36	914	67	30.4
SCR3672	Chemsurf laminate, full-round edge	1 ¼	32	72	1829	36	914	80	36.3
SCR3696	Chemsurf laminate, full-round edge	1 ¼	32	96	2438	36	914	108	49.0
SCCR2448	Chemsurf laminate, corner, full-round edge	1 ¼	32	48	1219	24	610	72	32.7
SCCR3048	Chemsurf laminate, corner, full-round edge	1 ¼	32	48	1219	30	762	74	33.6
SCCR3648	Chemsurf laminate, corner, full-round edge	1 ¼	32	48	1219	36	914	78	35.4

Rev 02/12/18



**WORK SURFACES, STANDARD LAMINATE, T-EDGE**

- 1¼" high laminate surfaces mount to WorkTable Bases or 4-Legged Tables to construct a height adjustable table.
- Surfaces have matching vinyl T-edge around the full perimeter (with 1" radius corners).
- 30" deep Work Surfaces do not accept surface mounted accessories deeper than 12".
- 36" deep Work Surfaces do not accept surface mounted accessories deeper than 15".
- 42" deep Work Surfaces do not accept surface mounted accessories deeper than 18".
- 48" deep Work Surfaces do not accept surface mounted accessories deeper than 21".
- Load capacity 500 lbs. evenly distributed.

**How to Specify**

**Step 1. Product Number**

WLT Work Surface, Std. Laminate, T-Edge

**Step 2. Depth**

30 30" deep 36 36" deep 42 42" deep  
48 48" deep

**Step 3. Width**

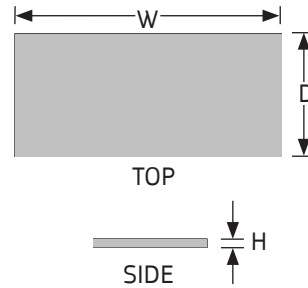
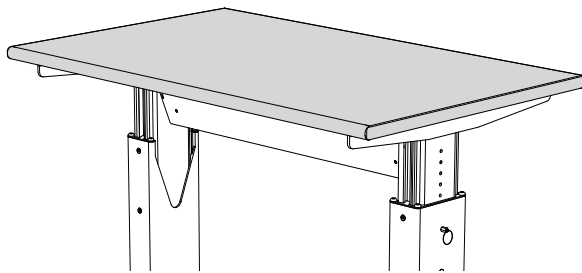
48 48" wide 60 60" wide 72 72" wide  
96 96" wide

**Step 4. Laminate Color Code**

AW	Arctic White	NW	Neutral White
BK	Black	SA	Sand
GF	Grey Fleck	WF	White Fleck
GL	Grey Light		

Product Number	Description	Height		Width		Depth		Weight	
		in.	[mm]	in.	[mm]	in.	[mm]	lb.	[kg]
WLT3048	Standard laminate, t-edge	1 ¼	32	48	1219	30	762	45	20.4
WLT3060	Standard laminate, t-edge	1 ¼	32	60	1524	30	762	56	25.4
WLT3072	Standard laminate, t-edge	1 ¼	32	72	1829	30	762	67	30.4
WLT3096	Standard laminate, t-edge	1 ¼	32	96	2438	30	762	90	40.8
WLT3648	Standard laminate, t-edge	1 ¼	32	48	1219	36	914	54	24.5
WLT3660	Standard laminate, t-edge	1 ¼	32	60	1524	36	914	67	30.4
WLT3672	Standard laminate, t-edge	1 ¼	32	72	1829	36	914	80	36.3
WLT3696	Standard laminate, t-edge	1 ¼	32	96	2438	36	914	108	49.0
WLT4248	Standard laminate, t-edge	1 ¼	32	48	1219	42	1067	63	28.6
WLT4260	Standard laminate, t-edge	1 ¼	32	60	1524	42	1067	78	35.4
WLT4272	Standard laminate, t-edge	1 ¼	32	72	1829	42	1067	93	42.2
WLT4296	Standard laminate, t-edge	1 ¼	32	96	2438	42	1067	126	57.2
WLT4848	Standard laminate, t-edge	1 ¼	32	48	1219	48	1219	72	32.7
WLT4860	Standard laminate, t-edge	1 ¼	32	60	1524	48	1219	89	40.4
WLT4872	Standard laminate, t-edge	1 ¼	32	72	1829	48	1219	107	48.5
WLT4896	Standard laminate, t-edge	1 ¼	32	96	2438	48	1219	144	65.3

Rev 06/20/24



**WORK SURFACES, STD. LAMINATE, FULL-ROUND EDGE**

- 1¼" high laminate surfaces mount to WorkTable Bases or 4-Legged Tables to construct a height adjustable table.
- Matching vinyl full-round edge on front and back with edge-banding on the two side edges.
- 30" deep Work Surfaces do not accept surface mounted accessories deeper than 12".
- 36" deep Work Surfaces do not accept surface mounted accessories deeper than 15".
- 42" deep Work Surfaces do not accept surface mounted accessories deeper than 18".
- 48" deep Work Surfaces do not accept surface mounted accessories deeper than 21".
- Load capacity 500 lbs. evenly distributed.

**How to Specify**

**Step 1. Product Number**

WLR Work Surface, Std. Laminate, FR Edge

**Step 2. Depth**

30 30" deep 36 36" deep 42 42" deep  
48 48" deep

**Step 3. Width**

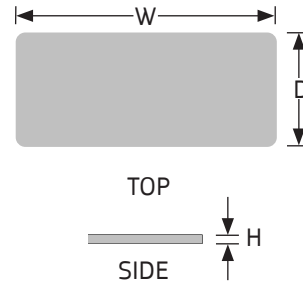
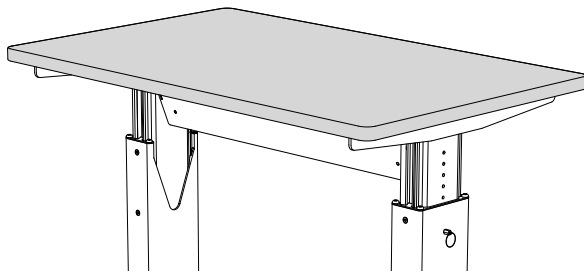
48 48" wide 60 60" wide 72 72" wide  
96 96" wide

**Step 4. Laminate Color Code**

AW Arctic White	NW Neutral White
BK Black	SA Sand
GF Grey Fleck	WF White Fleck
GL Grey Light	

Product Number	Description	Height		Width		Depth		Weight	
		in.	[mm]	in.	[mm]	in.	[mm]	lb.	[kg]
WLR3048	Standard laminate, full-round edge	1 ¼	32	48	1219	30	762	45	20.4
WLR3060	Standard laminate, full-round edge	1 ¼	32	60	1524	30	762	56	25.4
WLR3072	Standard laminate, full-round edge	1 ¼	32	72	1829	30	762	67	30.4
WLR3096	Standard laminate, full-round edge	1 ¼	32	96	2438	30	762	90	40.8
WLR3648	Standard laminate, full-round edge	1 ¼	32	48	1219	36	914	54	24.5
WLR3660	Standard laminate, full-round edge	1 ¼	32	60	1524	36	914	67	30.4
WLR3672	Standard laminate, full-round edge	1 ¼	32	72	1829	36	914	80	36.3
WLR3696	Standard laminate, full-round edge	1 ¼	32	96	2438	36	914	108	49.0
WLR4248	Standard laminate, full-round edge	1 ¼	32	48	1219	42	1067	63	28.6
WLR4260	Standard laminate, full-round edge	1 ¼	32	60	1524	42	1067	78	35.4
WLR4272	Standard laminate, full-round edge	1 ¼	32	72	1829	42	1067	93	42.2
WLR4296	Standard laminate, full-round edge	1 ¼	32	96	2438	42	1067	126	57.2
WLR4848	Standard laminate, full-round edge	1 ¼	32	48	1219	48	1219	72	32.7
WLR4860	Standard laminate, full-round edge	1 ¼	32	60	1524	48	1219	89	40.4
WLR4872	Standard laminate, full-round edge	1 ¼	32	72	1829	48	1219	107	48.5
WLR4896	Standard laminate, full-round edge	1 ¼	32	96	2438	48	1219	144	65.3

Rev 06/20/24



**WORK SURFACES, ESD LAMINATE, T-EDGE**

- 1¼" high laminate surfaces mount to WorkTable Bases or 4-Legged Tables to construct a height adjustable table.
- Each surface includes a Laminate Grounding Terminal Kit (72" and 96" surfaces have two).
- Nevamar® Static Dissipative Laminates (SDL) conform to ESD Association Standard ESD-S4. SDL has a point to point and point to ground resistance of 1x106 to 1x109 ohms @10-60% relative humidity.
- Surfaces have a matching vinyl T-edge around the full perimeter (with 1" radius corners).
- 30" deep Work Surfaces do not accept surface mounted accessories deeper than 12".
- 36" deep Work Surfaces do not accept surface mounted accessories deeper than 15".
- 42" deep Work Surfaces do not accept surface mounted accessories deeper than 18".
- 48" deep Work Surfaces do not accept surface mounted accessories deeper than 21".
- Load capacity 500 lbs. evenly distributed.

**NOTES**

» Customers are responsible for specifying ESD surface requirements; corporate ESD standards must be consulted prior to ordering.

**How to Specify**

**Step 1. Product Number**

WDT ESD Laminate, T-Edge

**Step 2. Depth**

30 30" deep 36 36" deep 42 42" deep  
48 48" deep

**Step 3. Width**

48 48" wide 60 60" wide 72 72" wide  
96 96" wide

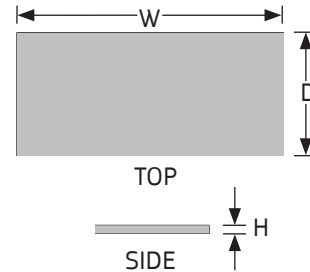
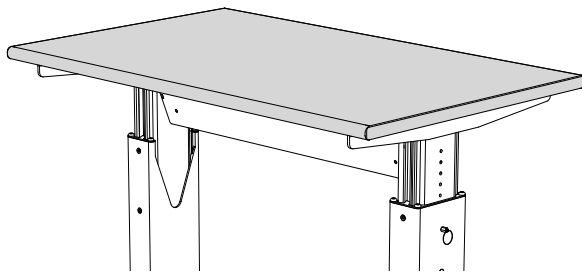
**Step 4. Laminate Color Code**

DBK Dissipative Black  
DG Dissipative Grey  
DNW Dissipative Neutral White  
DS Dissipative Sand  
DW Dissipative White

Product Number	Description	Height		Width		Depth		Weight	
		in.	[mm]	in.	[mm]	in.	[mm]	lb.	[kg]
WDT3048	ESD laminate, t-edge	1 ¼	32	48	1219	30	762	45	20.4
WDT3060	ESD laminate, t-edge	1 ¼	32	60	1524	30	762	56	25.4
WDT3072	ESD laminate, t-edge	1 ¼	32	72	1829	30	762	67	30.4
WDT3096	ESD laminate, t-edge	1 ¼	32	96	2438	30	762	90	40.8
WDT3648	ESD laminate, t-edge	1 ¼	32	48	1219	36	914	54	24.5
WDT3660	ESD laminate, t-edge	1 ¼	32	60	1524	36	914	67	30.4
WDT3672	ESD laminate, t-edge	1 ¼	32	72	1829	36	914	80	36.3
WDT3696	ESD laminate, t-edge	1 ¼	32	96	2438	36	914	108	49.0
WDT4248	ESD laminate, t-edge	1 ¼	32	48	1219	42	1067	63	28.6
WDT4260	ESD laminate, t-edge	1 ¼	32	60	1524	42	1067	78	35.4
WDT4272	ESD laminate, t-edge	1 ¼	32	72	1829	42	1067	93	42.2
WDT4296	ESD laminate, t-edge	1 ¼	32	96	2438	42	1067	126	57.2
WDT4848	ESD laminate, t-edge	1 ¼	32	48	1219	48	1219	72	32.7
WDT4860	ESD laminate, t-edge	1 ¼	32	60	1524	48	1219	89	40.4
WDT4872	ESD laminate, t-edge	1 ¼	32	72	1829	48	1219	107	48.5
WDT4896	ESD laminate, t-edge	1 ¼	32	96	2438	48	1219	144	65.3

Rev 09/24/20





**WORK SURFACES, ESD LAMINATE, FULL-ROUND EDGE**

- 1¼" high laminate surfaces mount to WorkTable Bases or 4-Legged Tables to construct a height adjustable table.
- Each surface includes a Laminate Grounding Terminal Kit (72" and 96" surfaces have two).
- Nevamar® Static Dissipative Laminates (SDL) conform to ESD Association Standard ESD-S4. SDL has a point to point and point to ground resistance of 1x106 to 1x109 ohms @10-60% relative humidity.
- Surfaces have a matching vinyl full-round edge on front and back with edge-banding on the two side edges.
- 30" deep Work Surfaces do not accept surface mounted accessories deeper than 12".
- 36" deep Work Surfaces do not accept surface mounted accessories deeper than 15".
- 42" deep Work Surfaces do not accept surface mounted accessories deeper than 18".
- 48" deep Work Surfaces do not accept surface mounted accessories deeper than 21".
- Load capacity 500 lbs. evenly distributed.

**NOTES**

» Customers are responsible for specifying ESD surface requirements; corporate ESD standards must be consulted prior to ordering.

**How to Specify**

**Step 1. Product Number**

**WDR** ESD Laminate, Full-Round Edge

**Step 2. Depth**

**30** 30" deep    **36** 36" deep    **42** 42" deep  
**48** 48" deep

**Step 3. Width**

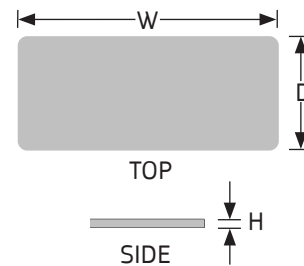
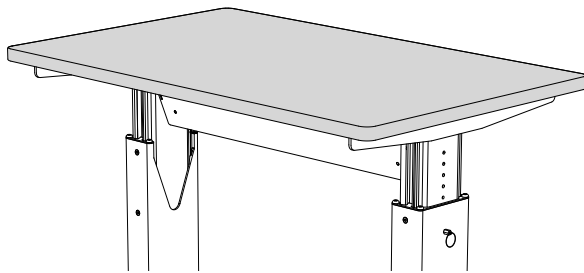
**48** 48" wide    **60** 60" wide    **72** 72" wide  
**96** 96" wide

**Step 4. Laminate Color Code**

- DBK** Dissipative Black
- DG** Dissipative Grey
- DNW** Dissipative Neutral White
- DS** Dissipative Sand
- DW** Dissipative White

Product Number	Description	Height		Width		Depth		Weight	
		in.	[mm]	in.	[mm]	in.	[mm]	lb.	[kg]
WDR3048	ESD laminate, full-round edge	1 ¼	32	48	1219	30	762	45	20.4
WDR3060	ESD laminate, full-round edge	1 ¼	32	60	1524	30	762	56	25.4
WDR3072	ESD laminate, full-round edge	1 ¼	32	72	1829	30	762	67	30.4
WDR3096	ESD laminate, full-round edge	1 ¼	32	96	2438	30	762	90	40.8
WDR3648	ESD laminate, full-round edge	1 ¼	32	48	1219	36	914	54	24.5
WDR3660	ESD laminate, full-round edge	1 ¼	32	60	1524	36	914	67	30.4
WDR3672	ESD laminate, full-round edge	1 ¼	32	72	1829	36	914	80	36.3
WDR3696	ESD laminate, full-round edge	1 ¼	32	96	2438	36	914	108	49.0
WDR4248	ESD laminate, full-round edge	1 ¼	32	48	1219	42	1067	63	28.6
WDR4260	ESD laminate, full-round edge	1 ¼	32	60	1524	42	1067	78	35.4
WDR4272	ESD laminate, full-round edge	1 ¼	32	72	1829	42	1067	93	42.2
WDR4296	ESD laminate, full-round edge	1 ¼	32	96	2438	42	1067	126	57.2
WDR4848	ESD laminate, full-round edge	1 ¼	32	48	1219	48	1219	72	32.7
WDR4860	ESD laminate, full-round edge	1 ¼	32	60	1524	48	1219	89	40.4
WDR4872	ESD laminate, full-round edge	1 ¼	32	72	1829	48	1219	107	48.5
WDR4896	ESD laminate, full-round edge	1 ¼	32	96	2438	48	1219	144	65.3

Rev 09/24/20



## WORK SURFACES, CHEMSURF LAMINATE, T-EDGE

- 1¼" high Chemsurf laminate surfaces are made for highly corrosive environments with exceptional chemical and wear resistance.
- Surfaces mount to WorkTable Bases or 4-Legged Tables to construct a height adjustable table.
- Surfaces have a matching vinyl T-edge around the full perimeter (with 1" radius corners).
- 30" deep Work Surfaces do not accept surface mounted accessories deeper than 12".
- 36" deep Work Surfaces do not accept surface mounted accessories deeper than 15".
- 42" deep Work Surfaces do not accept surface mounted accessories deeper than 18".
- 48" deep Work Surfaces do not accept surface mounted accessories deeper than 21".
- Load capacity 500 lbs. evenly distributed.

## How to Specify

### Step 1. Product Number

WCT Chemsurf Laminate, T-Edge

### Step 2. Depth

30 30" deep    36 36" deep    42 42" deep  
48 48" deep

### Step 3. Width

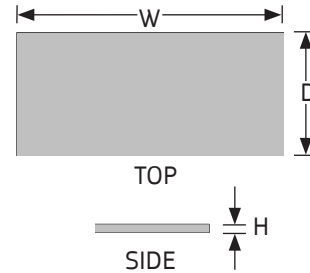
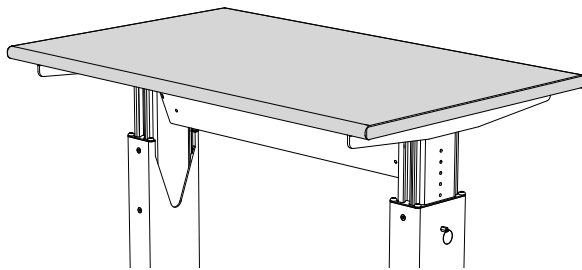
24 24" wide    30 30" wide    36 36" wide  
48 48" wide    60 60" wide    72 72" wide  
96 96" wide

### Step 4. Chemsurf Laminate Color Code

CBK Black  
CGL Grey Light  
CNW Neutral White

Product Number	Description	Height		Width		Depth		Weight	
		in.	[mm]	in.	[mm]	in.	[mm]	lb.	[kg]
WCT3048	Chemsurf laminate, t-edge	1 ¼	32	48	1219	30	762	45	20.4
WCT3060	Chemsurf laminate, t-edge	1 ¼	32	60	1524	30	762	56	25.4
WCT3072	Chemsurf laminate, t-edge	1 ¼	32	72	1829	30	762	67	30.4
WCT3096	Chemsurf laminate, t-edge	1 ¼	32	96	2438	30	762	90	40.8
WCT3648	Chemsurf laminate, t-edge	1 ¼	32	48	1219	36	914	54	24.5
WCT3660	Chemsurf laminate, t-edge	1 ¼	32	60	1524	36	914	67	30.4
WCT3672	Chemsurf laminate, t-edge	1 ¼	32	72	1829	36	914	80	36.3
WCT3696	Chemsurf laminate, t-edge	1 ¼	32	96	2438	36	914	108	49.0
WCT4248	Chemsurf laminate, t-edge	1 ¼	32	48	1219	42	1067	63	28.6
WCT4260	Chemsurf laminate, t-edge	1 ¼	32	60	1524	42	1067	78	35.4
WCT4272	Chemsurf laminate, t-edge	1 ¼	32	72	1829	42	1067	93	42.2
WCT4296	Chemsurf laminate, t-edge	1 ¼	32	96	2438	42	1067	126	57.2
WCT4848	Chemsurf laminate, t-edge	1 ¼	32	48	1219	48	1219	72	32.7
WCT4860	Chemsurf laminate, t-edge	1 ¼	32	60	1524	48	1219	89	40.4
WCT4872	Chemsurf laminate, t-edge	1 ¼	32	72	1829	48	1219	107	48.5
WCT4896	Chemsurf laminate, t-edge	1 ¼	32	96	2438	48	1219	144	65.3

Rev 09/27/17



**WORK SURFACES, CHEMSURF LAM., FULL-ROUND EDGE**

- 1¼" high Chemsurf laminate surfaces are made for highly corrosive environments with exceptional chemical and wear resistance.
- Surfaces mount to WorkTable Bases or 4-Legged Tables to construct a height adjustable table.
- Surface have a matching full-round edge on front and back with edge-banding on the two side edges.
- 30" deep Work Surfaces do not accept surface mounted accessories deeper than 12".
- 36" deep Work Surfaces do not accept surface mounted accessories deeper than 15".
- 42" deep Work Surfaces do not accept surface mounted accessories deeper than 18".
- 48" deep Work Surfaces do not accept surface mounted accessories deeper than 21".
- Load capacity 500 lbs. evenly distributed.

**How to Specify**

**Step 1. Product Number**

WCR Chemsurf Laminate, Full-Round Edge

**Step 2. Depth**

30 30" deep 36 36" deep 42 42" deep  
48 48" deep

**Step 3. Width**

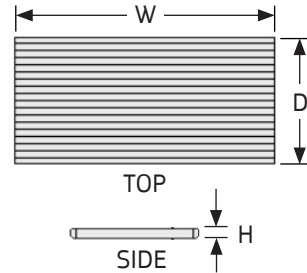
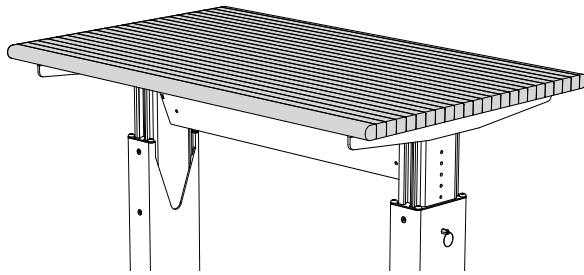
24 24" wide 30 30" wide 36 36" wide  
48 48" wide 60 60" wide 72 72" wide  
96 96" wide

**Step 4. Chemsurf Laminate Color Code**

CBK Black  
CGL Grey Light  
CNW Neutral White

Product Number	Description	Height		Width		Depth		Weight	
		in.	[mm]	in.	[mm]	in.	[mm]	lb.	[kg]
WCR3048	Chemsurf laminate, full-round edge	1 ¼	32	48	1219	30	762	45	20.4
WCR3060	Chemsurf laminate, full-round edge	1 ¼	32	60	1524	30	762	56	25.4
WCR3072	Chemsurf laminate, full-round edge	1 ¼	32	72	1829	30	762	67	30.4
WCR3096	Chemsurf laminate, full-round edge	1 ¼	32	96	2438	30	762	90	40.8
WCR3648	Chemsurf laminate, full-round edge	1 ¼	32	48	1219	36	914	54	24.5
WCR3660	Chemsurf laminate, full-round edge	1 ¼	32	60	1524	36	914	67	30.4
WCR3672	Chemsurf laminate, full-round edge	1 ¼	32	72	1829	36	914	80	36.3
WCR3696	Chemsurf laminate, full-round edge	1 ¼	32	96	2438	36	914	108	49.0
WCR4248	Chemsurf laminate, full-round edge	1 ¼	32	48	1219	42	1067	63	28.6
WCR4260	Chemsurf laminate, full-round edge	1 ¼	32	60	1524	42	1067	78	35.4
WCR4272	Chemsurf laminate, full-round edge	1 ¼	32	72	1829	42	1067	93	42.2
WCR4296	Chemsurf laminate, full-round edge	1 ¼	32	96	2438	42	1067	126	57.2
WCR4848	Chemsurf laminate, full-round edge	1 ¼	32	48	1219	48	1219	72	32.7
WCR4860	Chemsurf laminate, full-round edge	1 ¼	32	60	1524	48	1219	89	40.4
WCR4872	Chemsurf laminate, full-round edge	1 ¼	32	72	1829	48	1219	107	48.5
WCR4896	Chemsurf laminate, full-round edge	1 ¼	32	96	2438	48	1219	144	65.3

Rev 09/27/17



### WORK SURFACES, HARDWOOD, 1¼" FULL-RADIUS EDGE

- 1¼" high Hardwood Surfaces mount to WorkTable or 4-Legged Table Bases only.
- Surfaces consist of kiln-dried hardwood strips that are face glued, sanded smooth and finished with a two coat catalyzed varnish.
- Surfaces have a full-radius front and back edges with square side edges.
- 30" deep Work Surfaces do not accept surface mounted accessories deeper than 12".
- 36" deep Work Surfaces do not accept surface mounted accessories deeper than 15".
- 42" deep Work Surfaces do not accept surface mounted accessories deeper than 18".
- 48" deep Work Surfaces do not accept surface mounted accessories deeper than 21".

### How to Specify

#### Step 1. Product Number

WMR Work Surface, Hardwood, 1¼"

#### Step 2. Depth

30 30" deep 36 36" deep 42 42" deep  
48 48" deep

#### Step 3. Width

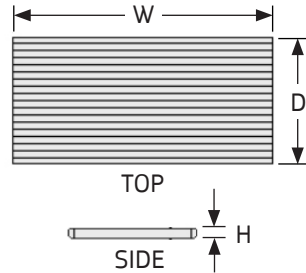
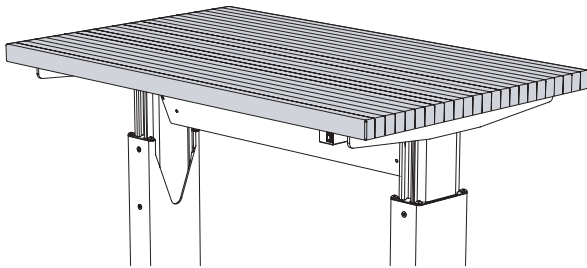
48 48" wide 60 60" wide 72 72" wide  
96 96" wide

#### Step 4. Color Code

CC Hardwood

Product Number	Description	Height		Width		Depth		Weight	
		in.	[mm]	in.	[mm]	in.	[mm]	lb.	[kg]
WMR3048CC	Hardwood, 1¼"	1 ¼	32	48	1219	30	762	50	22.7
WMR3060CC	Hardwood, 1¼"	1 ¼	32	60	1524	30	762	63	28.6
WMR3072CC	Hardwood, 1¼"	1 ¼	32	72	1829	30	762	75	34.0
WMR3096CC	Hardwood, 1¼"	1 ¼	32	96	2438	30	762	100	45.4
WMR3648CC	Hardwood, 1¼"	1 ¼	32	48	1219	36	914	60	27.2
WMR3660CC	Hardwood, 1¼"	1 ¼	32	60	1524	36	914	75	34.0
WMR3672CC	Hardwood, 1¼"	1 ¼	32	72	1829	36	914	90	40.8
WMR3696CC	Hardwood, 1¼"	1 ¼	32	96	2438	36	914	120	54.4
WMR4248CC	Hardwood, 1¼"	1 ¼	32	48	1219	42	1067	70	31.8
WMR4260CC	Hardwood, 1¼"	1 ¼	32	60	1524	42	1067	88	39.9
WMR4272CC	Hardwood, 1¼"	1 ¼	32	72	1829	42	1067	105	47.6
WMR4296CC	Hardwood, 1¼"	1 ¼	32	96	2438	42	1067	140	63.5
WMR4848CC	Hardwood, 1¼"	1 ¼	32	48	1219	48	1219	80	36.3
WMR4860CC	Hardwood, 1¼"	1 ¼	32	60	1524	48	1219	100	45.4
WMR4872CC	Hardwood, 1¼"	1 ¼	32	72	1829	48	1219	120	54.4
WMR4896CC	Hardwood, 1¼"	1 ¼	32	96	2438	48	1219	160	72.6

Rev 09/27/24



**WORK SURFACES, HARDWOOD, 1 3/4" SQUARE EDGE**

- 1 3/4" high Hardwood Surfaces mount to WorkTable or 4-Legged Table Bases only.
- Surfaces consist of kiln-dried hardwood strips that are face glued, sanded smooth and finished with a two coat catalyzed varnish.
- Surfaces have a square-edged front, back and sides.
- 30" deep Work Surfaces do not accept surface mounted accessories deeper than 12".
- 36" deep Work Surfaces do not accept surface mounted accessories deeper than 15".
- 42" deep Work Surfaces do not accept surface mounted accessories deeper than 18".
- 48" deep Work Surfaces do not accept surface mounted accessories deeper than 21".
- Load capacity 500 lbs. evenly distributed.

**How to Specify**

**Step 1. Product Number**

WHS Work Surface, Hardwood, 1 3/4"

**Step 2. Depth**

30 30" deep 36 36" deep 42 42" deep  
48 48" deep

**Step 3. Width**

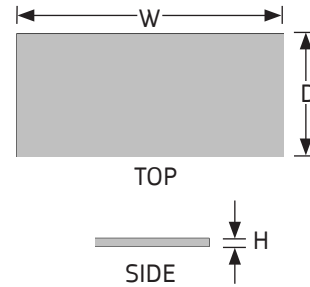
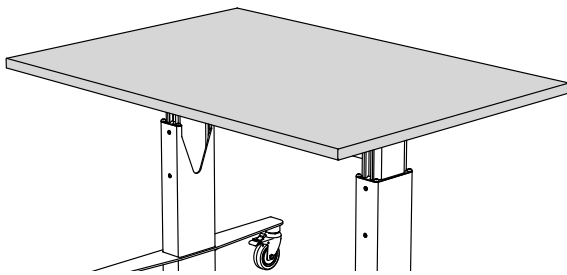
48 48" wide 60 60" wide 72 72" wide  
96 96" wide

**Step 4. Color Code**

CC Hardwood

Product Number	Description	Height		Width		Depth		Weight	
		in.	[mm]	in.	[mm]	in.	[mm]	lb.	[kg]
WHS3048CC	Hardwood, 1 3/4"	1 3/4	44	48	1219	30	762	70	31.8
WHS3060CC	Hardwood, 1 3/4"	1 3/4	44	60	1524	30	762	88	39.9
WHS3072CC	Hardwood, 1 3/4"	1 3/4	44	72	1829	30	762	105	47.6
WHS3096CC	Hardwood, 1 3/4"	1 3/4	44	96	2438	30	762	140	63.5
WHS3648CC	Hardwood, 1 3/4"	1 3/4	44	48	1219	36	914	84	38.1
WHS3660CC	Hardwood, 1 3/4"	1 3/4	44	60	1524	36	914	105	47.6
WHS3672CC	Hardwood, 1 3/4"	1 3/4	44	72	1829	36	914	126	57.2
WHS3696CC	Hardwood, 1 3/4"	1 3/4	44	96	2438	36	914	168	76.2
WHS4248CC	Hardwood, 1 3/4"	1 3/4	44	48	1219	42	1067	98	44.5
WHS4260CC	Hardwood, 1 3/4"	1 3/4	44	60	1524	42	1067	123	55.8
WHS4272CC	Hardwood, 1 3/4"	1 3/4	44	72	1829	42	1067	147	66.7
WHS4296CC	Hardwood, 1 3/4"	1 3/4	44	96	2438	42	1067	196	88.9
WHS4848CC	Hardwood, 1 3/4"	1 3/4	44	48	1219	48	1219	112	50.8
WHS4860CC	Hardwood, 1 3/4"	1 3/4	44	60	1524	48	1219	140	63.5
WHS4872CC	Hardwood, 1 3/4"	1 3/4	44	72	1829	48	1219	168	76.2
WHS4896CC	Hardwood, 1 3/4"	1 3/4	32	96	2438	48	1219	224	101.6

Rev 09/27/24



**WORK SURFACES, STAINLESS STEEL**

- Provides durable work surface for areas where high abrasion, chemical resistance and sterilization are required.
- Surfaces mount to WorkTable or 4-Legged Table Bases only.
- Surfaces are manufactured using 16 gauge stainless steel with a #4 brush finish.
- Surface is constructed of a stainless steel "cap" (tops and sides are formed from one sheet of steel with welded corners) assembled to a core which is laminated with backer material. The joint between the cap and core is sealed around the full perimeter.
- Load capacity is 500 lbs. evenly distributed.

**How to Specify**

**Step 1. Product Number**

WSC Work Surface, Stainless Steel

**Step 2. Depth**

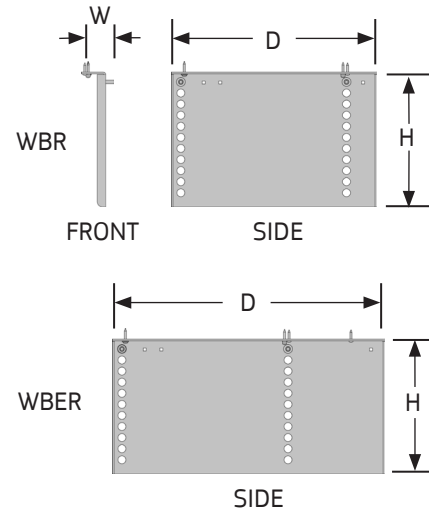
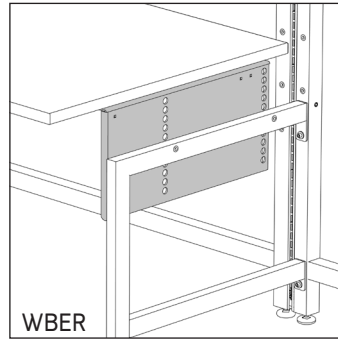
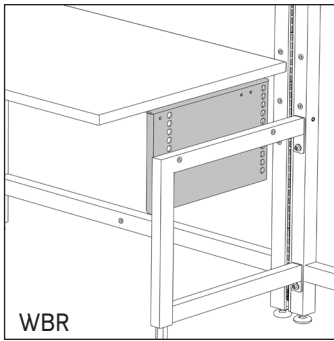
42 42" deep 48 48" deep

**Step 3. Width**

48 48" wide 60 60" wide 72 72" wide  
96 96" wide

Product Number	Description	Height		Width		Depth		Weight	
		in.	[mm]	in.	[mm]	in.	[mm]	lb.	[kg]
WSC4248	Stainless steel	1 1/8	29	48	1219	42	1067	103	46.7
WSC4260	Stainless steel	1 1/8	29	60	1524	42	1067	128	58.1
WSC4272	Stainless steel	1 1/8	29	72	1829	42	1067	154	69.9
WSC4296	Stainless steel	1 1/8	29	96	2438	42	1067	205	93.0
WSC4848	Stainless steel	1 1/8	29	48	1219	48	1219	117	53.1
WSC4860	Stainless steel	1 1/8	29	60	1524	48	1219	147	66.7
WSC4872	Stainless steel	1 1/8	29	72	1829	48	1219	176	79.8
WSC4896	Stainless steel	1 1/8	29	96	2438	48	1219	235	106.6

Rev 02/12/18



**SURFACE B SUPPORT BRACKETS**

- Brackets provide manual height adjustable support for Ultra or Work Surfaces mounted to Ultra Leg Supports.
- Brackets allow for surface heights to be adjusted in 1" increments. Height to the top of the support bracket ranges from 25<sup>7</sup>/<sub>8</sub>" to 35<sup>7</sup>/<sub>8</sub>" when used with Ultra Legs (UL25\*\*) and from 30<sup>7</sup>/<sub>8</sub>" to 40<sup>7</sup>/<sub>8</sub>" when used with Ultra Legs (UL30\*\*).
- Extended brackets are for use with 36" deep surfaces, while the 18<sup>5</sup>/<sub>8</sub>" deep brackets are for use with 24" and 30" deep surfaces.

**NOTES**

- » 72" and 96" wide frame-mounted surfaces must be supported in the center by Surface Cantilever Supports. Specify one 18" cantilever per 24" and 30" deep surface and one 24" cantilever per 36" deep surface.

**How to Specify**

**Step 1. Product Number**

- WBL10** B Support Bracket, left
- WBR10** B Support Bracket, right
- WBEL10** B Support Bracket, extended, left
- WBER10** B Support Bracket, extended, right

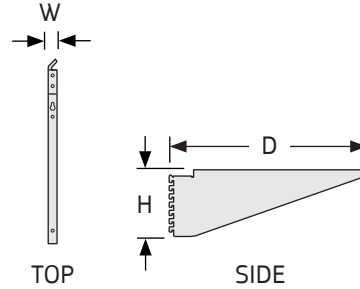
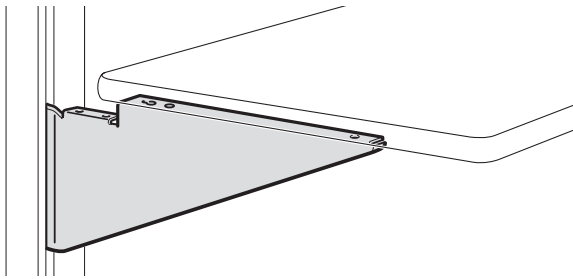
**Step 2. Paint Color Code**

STANDARD

- AW** Arctic White
- AS** Argent Silver
- BK** Black
- BT** Black Texture
- GL** Grey Light Smooth
- GT** Grey Light Texture
- NW** Neutral White
- ST** Sand Texture

Product Number	Description	Height		Width		Depth		Weight	
		in.	[mm]	in.	[mm]	in.	[mm]	lb.	[kg]
WBL10	Bracket, left	12 ¼	311	2 ¼	57	18 5/8	473	12	5.4
WBR10	Bracket, right	12 ¼	311	2 ¼	57	18 5/8	473	12	5.4
WBEL10	Bracket, extended, left	12 ¼	311	2 ¼	57	24 5/8	625	16	7.3
WBER10	Bracket, extended, right	12 ¼	311	2 ¼	57	24 5/8	625	16	7.3

Rev 10/01/19



**SURFACE CANTILEVER SUPPORTS**

- Cantilevers provide manual height adjustable support for 24" and 30" deep Ultra or Work Surfaces mounted to UltraFrames or Panels.
- Cantilevers have a cut-out at the rear allowing for the pass through of cords and cables.

**NOTES**

- » Use 24" supports with 24" and 30" deep surfaces; 36" deep surfaces require Extended Surface B Support Brackets; see page 4.31.
- » 72" and 96" wide frame-mounted surfaces must be supported in the center by Surface Cantilever Supports. Specify one 18" cantilever per 24" and 30" deep surface and one 24" cantilever per 36" deep surface.

**How to Specify**

**Step 1. Product Number**

- WSL Surface Cantilever Support, Left
- WSR Surface Cantilever Support, Right

**Step 3. Depth**

- 18 18" deep 24 24" deep

**Step 3. Paint Color Code**

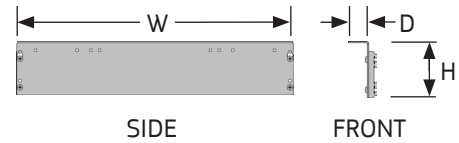
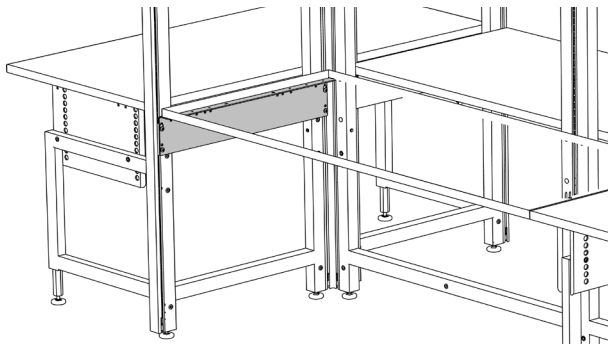
STANDARD

- AW Arctic White
- AS Argent Silver
- BK Black
- BT Black Texture
- GL Grey Light Smooth
- GT Grey Light Texture
- NW Neutral White
- ST Sand Texture

Product Number	Description	Height		Width		Depth		Weight	
		in.	[mm]	in.	[mm]	in.	[mm]	lb.	[kg]
WSL18	Support, left	8 ½	216	1 ¼	32	18	457	4	1.8
WSR18	Support, right	8 ½	216	1 ¼	32	18	457	4	1.8
WSL24	Support, left	10 ½	267	1 ¼	32	23	584	5	2.3
WSR24	Support, right	10 ½	267	1 ¼	32	23	584	5	2.3

Rev 04/01/19





**FRAME-MOUNT SURFACE SUPPORTS**

- Supports mount to return UltraFrames and Panels providing rigid support for the left and right edges of Ultra or Standard Surfaces.
- Brackets are vertically adjustable in 1" increments.
- Frame-Mount Surface Supports are sold individually and are non-handed for surface depths of 30" and greater.
- Brackets have two hanger clip mounting positions to accommodate both standard and Lab Height Modules.

**How to Specify**

**Step 1. Product Number**

- WSB** Frame-Mount Support, Non-Handed
- WSBL** Frame-Mount Support, Left
- WSBR** Frame-Mount Support, Right

**Step 2. Depth (Non-Handed only)**

- 24** 24" deep    **30** 30" deep    **36** 36" deep

**Step 3. Depth (WSBL and WSBR only)**

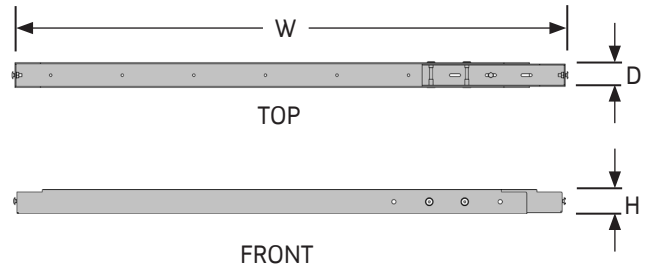
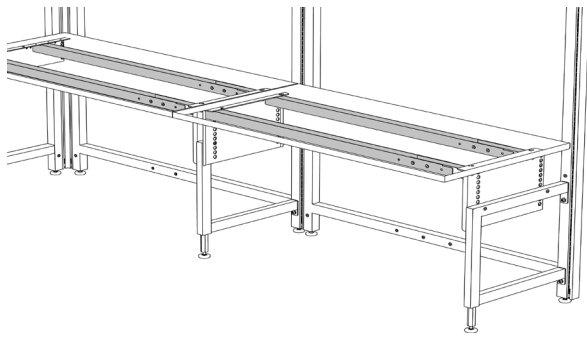
- 24** 24" deep

**Step 4. Paint Color Code**

- STANDARD
- AW** Arctic White                      **GL** Grey Light Smooth
  - AS** Argent Silver                      **GT** Grey Light Texture
  - BK** Black                                **NW** Neutral White
  - BT** Black Texture                      **ST** Sand Texture

Product Number	Description	Height		Width		Depth		Weight	
		in.	[mm]	in.	[mm]	in.	[mm]	lb.	[kg]
WSB30	Non-handed	5 ¾	146	30	762	2	51	10	4.5
WSB36	Non-handed	5 ¾	146	36	914	2	51	12	5.4
WSBL24	Left	5 ¾	146	24	610	2	51	8	3.6
WSBR24	Right	5 ¾	146	24	610	2	51	8	3.6

Rev 04/01/19



### SURFACE REINFORCEMENT BARS

- Sold in pairs, Surface Reinforcement Bars provide horizontal support under surfaces for increased rigidity.
- Bars mount to Surface B Supports, Lab Height B Supports or Frame-Mount Surface Supports.
- Bars adjust over a 6" range to accommodate inboard and outboard Ultra Leg clearance.
- Finish is Black.

**NOTES**

- » Reinforcement Bars cannot be used with Cantilever Brackets.

### How to Specify

**Step 1. Product Number**

WRB Surface Reinforcement Bars, Pair

**Step 2. Width**

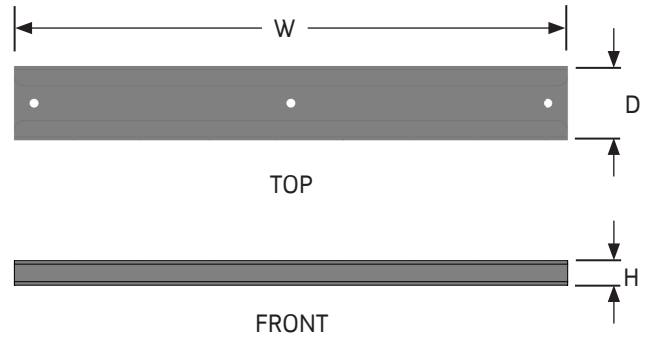
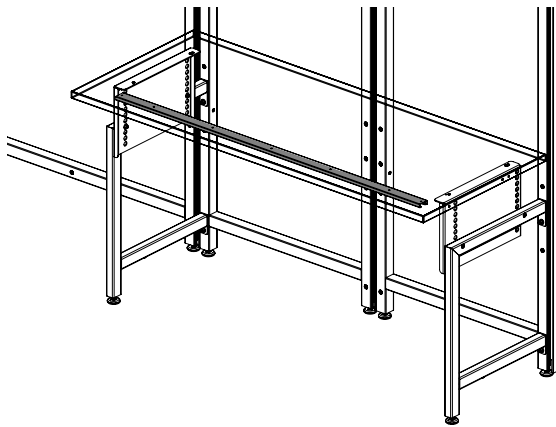
48 48" wide 60 60" wide 72 72" wide

**Step 3. Paint Color Code**

BK Black

Product Number	Description	Height		Width		Depth		Weight	
		in.	[mm]	in.	[mm]	in.	[mm]	lb.	[kg]
WRB48BK	Reinforcement bar, pair	2	51	49 ½	1257	2	51	15	6.8
WRB60BK	Reinforcement bar, pair	2	51	61 ½	1562	2	51	18	8.2
WRB72BK	Reinforcement bar, pair	2	51	73 ½	1867	2	51	21	9.5

Rev 07/31/14



**SURFACE SUPPORT BAR**

- Sold individually, the Surface Support Bar provides horizontal support under standard surfaces for added support and weight load capacity up to 500lbs., evenly distributed.
- Support Bars can be used with surfaces supported by Cantilever Brackets, Work Surface B-Supports, Table Bases, and ErgoStats.
- Finish is Black.

**How to Specify**

**Step 1. Product Number**

SSB Surface Support Bar

**Step 2. Width**

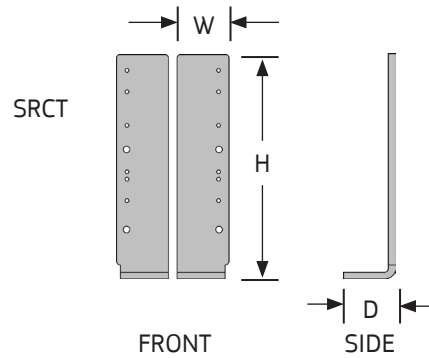
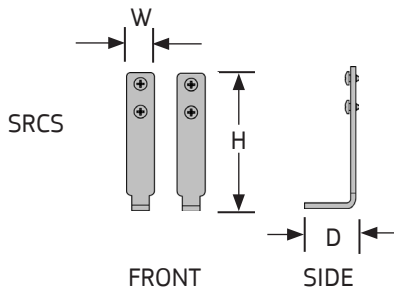
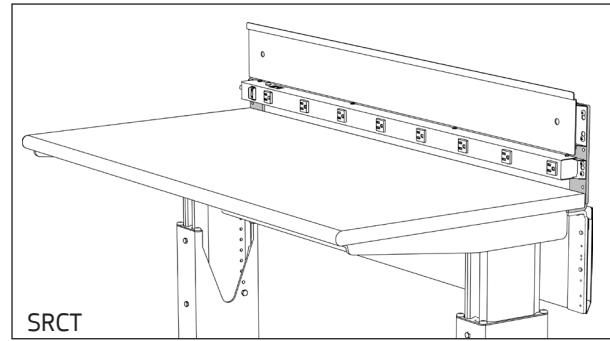
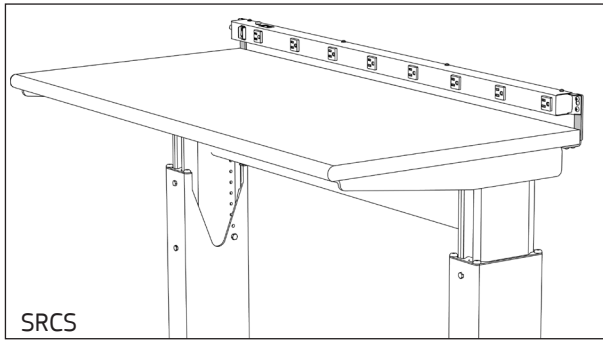
48 48" wide                      60 60" wide  
 72 72" wide                      96 96" wide

**Step 3. Paint Color Code**

BK Black

Product Number	Description	Height		Width		Depth		Weight	
		in.	[mm]	in.	[mm]	in.	[mm]	lb.	[kg]
SSB48BK	Support Bar	5/8	16	38	965	1 7/8	48	2	1
SSB60BK	Support Bar	5/8	16	50	1270	1 7/8	48	3	1.4
SSB72BK	Support Bar	5/8	16	62	1575	1 7/8	48	4	1.8
SSB96BK	Support Bar	5/8	16	86	2184	1 7/8	48	5	2.5

Rev 02/18/25



**SURFACE ACCESSORY BRACKETS**

- Brackets provide mounting locations for accessories above or below the surface.
- Short Surface Accessory Brackets are non-handed and mount Electric Plug Strips approximately 1” above the surface, or can be flipped over to mount plug strips 2½” below the surface.
- Tall Surface Accessory Brackets are handed and can be used to mount Dispensing Rails, Bin Rails, Slatwall Rails, Electric Plug Strips or Air Strips above the surface.
- The tall brackets can also be flipped over and mounted to the underside of the surface to support Frame-mount Cable Trays or Electric Plug Strips.
- Brackets are sold in pairs and mount to surfaces with wood screws.
- Finish is Black.

**NOTES**

- » Two pairs of Tall Surface Accessory Brackets are shown in the image above.
- » Ultra Surfaces, Standard Surfaces and Work Surfaces are not pre-drilled for Surface Accessory Brackets.

**How to Specify**

**Step 1. Product Number**

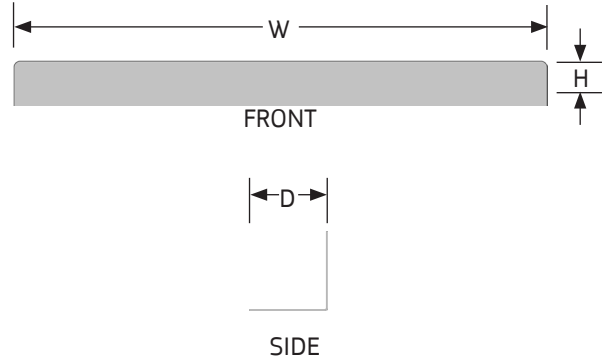
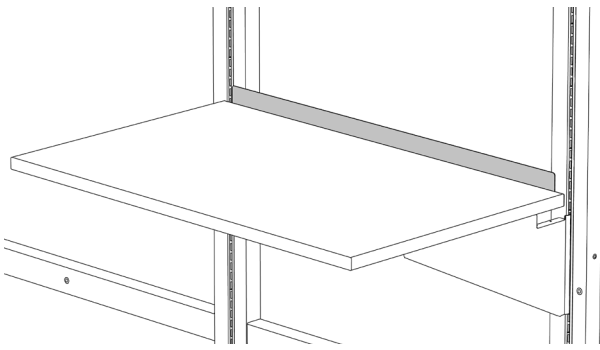
- SRCS Surface Accessory Bracket, Short
- SRCT Surface Accessory Bracket, Tall

**Step 2. Paint Color Code**

- BK Black

Product Number	Description	Height		Width		Depth		Weight	
		in.	[mm]	in.	[mm]	in.	[mm]	lb.	[kg]
SRCSBK	Short bracket	4	102	¾	19	1 ½	38	1	0.5
SRCTBK	Tall bracket	8 ¼	210	2	51	1 ½	38	3	1.4

Rev 07/31/14



**SURFACE BACK STOPS**

- Surface Back Stops prevent equipment or small parts from falling off the back edge of surfaces.
- Steel stops provide a 1¾" raised edge above the back of 1¼" high surfaces.

**NOTES**

- » Can be used together with Universal Cable Trays which are sold separately; see page 9.5.

**How to Specify**

**Step 1. Product Number**

BS Surface Back Stop

**Step 2. Width**

24 24" wide    30 30" wide    36 36" wide  
 48 48" wide    60 60" wide    72 72" wide

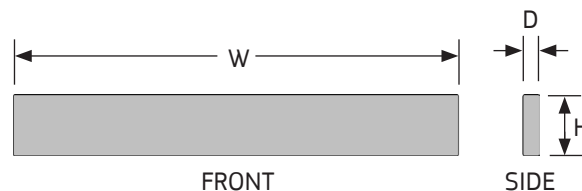
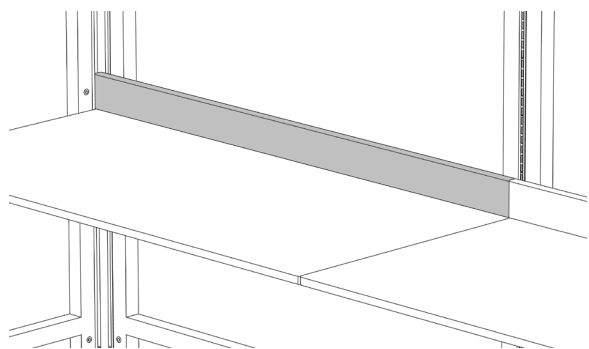
**Step 3. Paint Color Code**

STANDARD

AW Arctic White                      GL Grey Light Smooth  
 AS Argent Silver                     GT Grey Light Texture  
 BK Black                                NW Neutral White  
 BT Black Texture                    ST Sand Texture

Product Number	Description	Height		Width		Depth		Weight	
		in.	[mm]	in.	[mm]	in.	[mm]	lb.	[kg]
BS24	Back stop	3	76	21 ½	546	3	76	3	1.4
BS30	Back stop	3	76	27 ½	699	3	76	4	1.6
BS36	Back stop	3	76	33 ½	851	3	76	5	2.3
BS48	Back stop	3	76	45 ½	1156	3	76	6	2.7
BS60	Back stop	3	76	57 ½	1461	3	76	7	3.2
BS72	Back stop	3	76	69 ½	1765	3	76	8	3.6

Rev 04/01/19



### PHENOLIC BACKSPLASHES

- 4" high solid Phenolic Backsplashes have smooth 1/8" radius corners and edges.
- Phenolic resin material is specifically manufactured for highly corrosive environments and provides exceptional chemical and wear resistance. Contact the factory for detailed chemical resistance testing data.
- Finish is Black.

#### NOTES

- » Mounting hardware is not included. Adhesive or thru-bolting to the horizontal surface is recommended.

### How to Specify

#### Step 1. Product Number

BSP4 Phenolic Backsplash

#### Step 2. Width

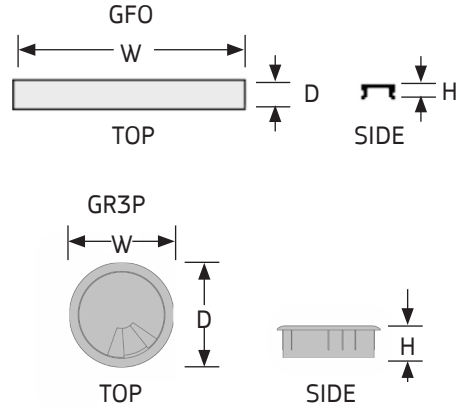
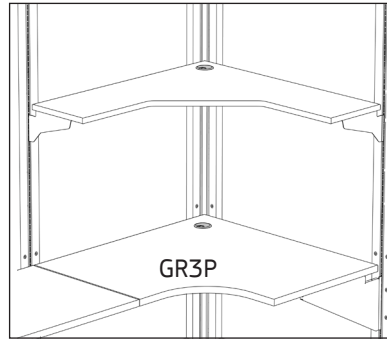
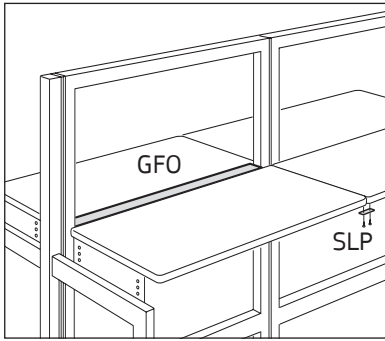
24 24" wide    30 30" wide    36 36" wide  
 48 48" wide    60 60" wide    72 72" wide  
 96 96" wide

#### Step 3. Paint Color Code

BK Black

Product Number	Description	Height		Width		Depth		Weight	
		in.	[mm]	in.	[mm]	in.	[mm]	lb.	[kg]
BSP424BK	Backsplash	4	102	24	610	1	25	5	2.3
BSP430BK	Backsplash	4	102	30	762	1	25	6	2.7
PSP436BK	Backsplash	4	102	36	914	1	25	7	3.2
BSP448BK	Backsplash	4	102	48	1219	1	25	10	4.5
BSP460BK	Backsplash	4	102	60	1524	1	25	12	5.4
BSP472BK	Backsplash	4	102	72	1829	1	25	14	6.4
BSP496BK	Backsplash	4	102	96	2438	1	25	19	8.6

Rev 03/20/12



**SURFACE GAP FILLERS AND LEVELING PLATES**

**Surface Gap Fillers**

- Surface Gap Fillers cover the gaps between back-to-back surfaces mounted on UltraFrames.
- Painted steel fillers have a spring form fit and work with all surface types.
- Finish must be specified.

**Surface Leveling Plates**

- 10 gauge steel plates fasten to the underside of adjacent surfaces providing additional support and alignment for the front edges.
- Finish is Black.

**Grommets**

- Plastic wiring grommet provides power and data cable management through the work surface.
- Grommet has removable cap with adjustable opening for desired cable capacity.
- Field installed using a 3-1/8" (79mm) hole saw.
- Finish is Black.

**NOTES**

- » Surface Leveling Plates are not to be used to attach Surface Peninsulas to adjacent surfaces.

**How to Specify**

**Step 1. Product Number**

- GFO Surface Gap Filler
- SLP Surface Leveling Plate
- BR3P Grommet

**Step 2. Width (Gap Filler only)**

- 30 30" wide 36 36" wide 48 48" wide
- 60 60" wide

**Step 3. Paint Color Code (Gap Filler only)**

STANDARD

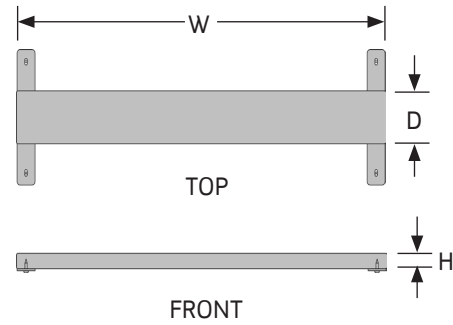
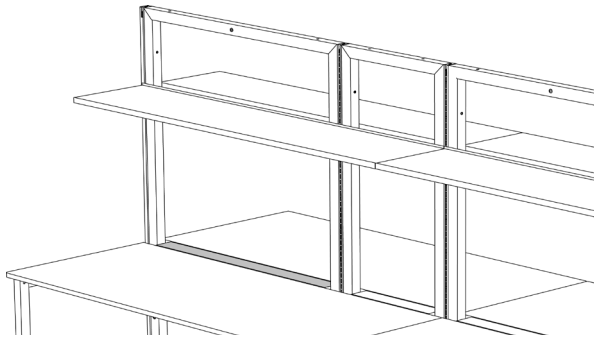
- AW Arctic White
- AS Argent Silver
- BK Black
- BT Black Texture
- GL Grey Light Smooth
- GT Grey Light Texture
- NW Neutral White
- ST Sand Texture

**Step 4. Color (Leveling Plate, Grommets only)**

- BK Black

Product Number	Description	Height		Width		Depth		Weight	
		in.	[mm]	in.	[mm]	in.	[mm]	lb.	[kg]
GFO30	Gap filler	1	25	26	660	5 1/4	133	2	0.9
GFO36	Gap filler	1	25	32	813	5 1/4	133	2	0.9
GFO48	Gap filler	1	25	44	1118	5 1/4	133	3	1.4
GFO60	Gap filler	1	25	55	1397	5 1/4	133	4	1.8
SLPBK	Leveling plate	1/8	3	3	76	3/4	19	1/4	0.1
GR3PBK	Grommet	1	25	3	76	3	76	1	0.5

Rev 04/01/19



### PHENOLIC GAP FILLERS

- 1" high solid Phenolic Resin Gap Fillers cover the gaps between back-to-back surfaces mounted on UltraFrames.
- Fillers have smooth 1/8" radius corners and edges.
- Phenolic resin material is specifically manufactured for highly corrosive environments and provides exceptional chemical and wear resistance. Contact the factory for detailed chemical resistance testing data.
- Finish is Black.

### How to Specify

#### Step 1. Product Number

GFP Phenolic Gap Filler

#### Step 2. Width

24 24" wide    30 30" wide    36 36" wide  
 48 48" wide    60 60" wide

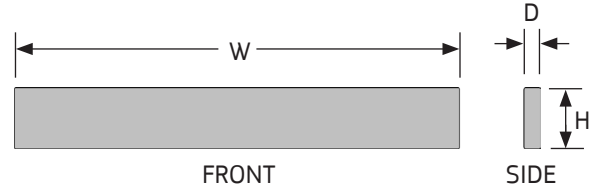
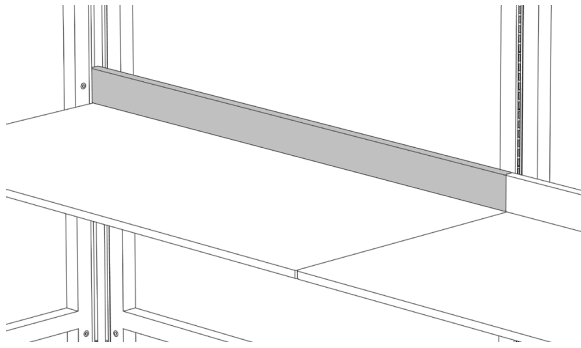
#### Step 3. Paint Color Code

BK Black

Product Number	Description	Height		Width		Depth		Weight	
		in.	[mm]	in.	[mm]	in.	[mm]	lb.	[kg]
GFP24BK	Gap filler	1	25	18	457	3 1/2	89	3	1.4
GFP30BK	Gap filler	1	25	24	610	3 1/2	89	4	1.8
GFP36BK	Gap filler	1	25	30	762	3 1/2	89	5	2.3
GFP48BK	Gap filler	1	25	42	1067	3 1/2	89	7	3.2
GFP60BK	Gap filler	1	25	54	1372	3 1/2	89	9	4.1

Rev 03/20/12





**EPOXY BACKSPLASHES**

- 4" high solid Epoxy Backsplashes have smooth 1/8" beveled top front edge. All other edges and corners contain a slight break.
- Epoxy resin material is specifically manufactured for highly corrosive environments and provides exceptional chemical and wear resistance. Contact the factory for detailed chemical resistance testing data.
- Finish is Black.

**NOTES**

- » Mounting hardware is not included. Adhesive or thru-bolting to the horizontal surface is recommended.
- » Other colors available; premium pricing. Consult factory.

**How to Specify**

**Step 1. Product Number**

BSE4 Epoxy Backsplash

**Step 2. Width**

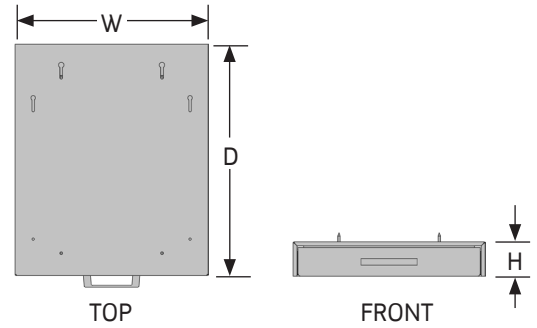
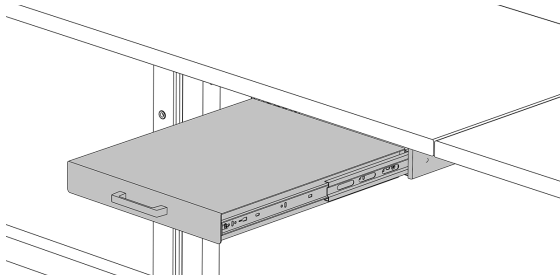
24 24" wide    30 30" wide    36 36" wide  
 48 48" wide    60 60" wide    72 72" wide  
 96 96" wide

**Step 3. Color Code**

BK Black

PRODUCT NUMBER	DESCRIPTION	HEIGHT		WIDTH		DEPTH		WEIGHT	
		IN.	[MM]	IN.	[MM]	IN.	[MM]	LB.	[KG]
BSE424BK	Epoxy Backsplash	4	102	24	610	1	25	7	3.3
BSE430BK	Epoxy Backsplash	4	102	30	762	1	25	9	4.2
BSE436BK	Epoxy Backsplash	4	102	36	914	1	25	11	5.0
BSE448BK	Epoxy Backsplash	4	102	48	1219	1	25	15	6.7
BSE460BK	Epoxy Backsplash	4	102	60	1524	1	25	18	8.3
BSE472BK	Epoxy Backsplash	4	102	72	1829	1	25	22	10.0
BSE496BK	Epoxy Backsplash	4	102	96	2438	1	25	29	13.3

Rev 05/16/24



**AUXILIARY SURFACE**

- Steel platform and housing provides additional work surface space and mounts to surfaces or Storage Accessory Mounting Brackets.
- Surface features 18" full-extension ball-bearing slides with in and out detent.
- Load capacity 35 pounds evenly distributed.

**How to Specify**

**Step 1. Product Number**

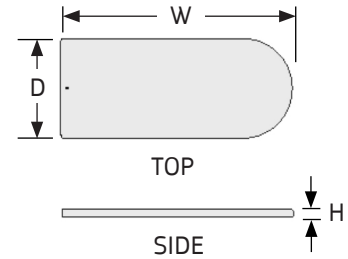
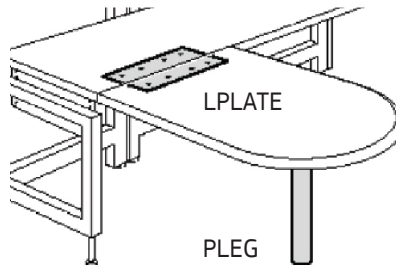
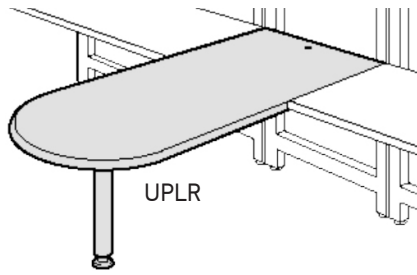
**AWS1518** Auxiliary Surface

**Step 2. Paint Color Code**

- BK Black
- BT Black Texture
- GL Grey Light Smooth
- GT Grey Light Texture
- NW Neutral White
- ST Sand Texture

Product Number	Description	Height		Width		Depth		Weight	
		in.	[mm]	in.	[mm]	in.	[mm]	lb.	[kg]
AWS1518	Auxiliary surface	2 5/8	67	15	381	18	457	16	7.0

Rev 04/01/19



**ULTRA SURFACE PENINSULAS, STD. LAMINATE**

- 1¼" high laminate surface assemblies mount to UltraFrames or Panels or attaches to adjacent rectangular surfaces.
- Peninsulas include a matching square edge-band or full-round edge.
- Includes one black 3¼" diameter leg with an adjustment range from 27" - 36" to the underside of the surfaces.
- Peninsulas are predrilled for surface supports.
- Load capacity 500 lbs. evenly distributed.

**NOTES**

- » Frame-Mount Surface Supports or Cantilever Supports are required to mount to UltraFrames or Panels. Surface B Support Brackets are required for attachment to Ultra Legs. Order supports separately; see pages 4.31 - 4.33.
- » Link Plates are required to attach Peninsulas to adjacent surfaces without the use of other surface supports. Finish is black. Order separately; see below.
- » Ultra Surface Peninsulas are not predrilled for Task Drawers.

**How to Specify**

**Step 1. Product Number**

- UPLS Peninsula, Square Edge
- UPLR Peninsula, Full-Round Edge

**Step 2. Depth (Surface only)**

- 30 30" deep 36 36" deep

**Step 3. Width**

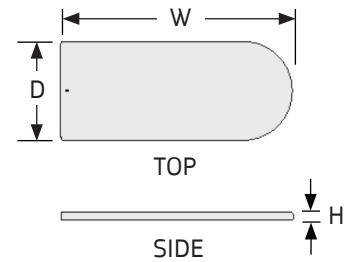
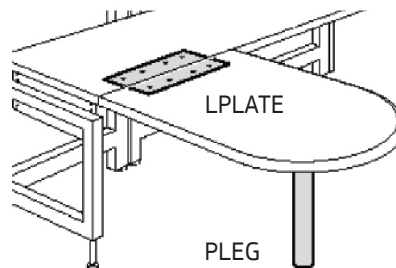
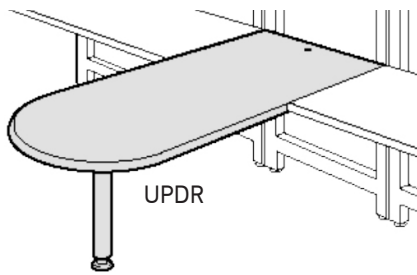
- 48 48" wide 60 60" wide 72 72" wide

**Step 4. Laminate Color Code**

- AW Arctic White
- BK Black
- GF Grey Fleck
- GL Grey Light
- NW Neutral White
- SA Sand
- WF White Fleck

Product Number	Description	Height		Width		Depth		Weight	
		in.	[mm]	in.	[mm]	in.	[mm]	lb.	[kg]
UPLS3048	Standard laminate, peninsula, square edge	1 ¼	32	48	1219	30	762	55	24.9
UPLS3060	Standard laminate, peninsula, square edge	1 ¼	32	60	1524	30	762	66	29.9
UPLS3072	Standard laminate, peninsula, square edge	1 ¼	32	72	1829	30	762	77	34.9
UPLS3648	Standard laminate, peninsula, square edge	1 ¼	32	48	1219	36	914	64	29.0
UPLS3660	Standard laminate, peninsula, square edge	1 ¼	32	60	1524	36	914	77	34.9
UPLS3672	Standard laminate, peninsula, square edge	1 ¼	32	72	1829	36	914	90	40.8
UPLR3048	Standard laminate, peninsula, round edge	1 ¼	32	48	1219	30	762	55	24.9
UPLR3060	Standard laminate, peninsula, round edge	1 ¼	32	60	1524	30	762	66	29.9
UPLR3072	Standard laminate, peninsula, round edge	1 ¼	32	72	1829	30	762	77	34.9
UPLR3648	Standard laminate, peninsula, round edge	1 ¼	32	48	1219	36	914	64	29.0
UPLR3660	Standard laminate, peninsula, round edge	1 ¼	32	60	1524	36	914	77	34.9
UPLR3672	Standard laminate, peninsula, round edge	1 ¼	32	72	1829	36	914	90	40.8
PLEGBT	Peninsula leg			3 ¼	83	3 ¼	83	10	4.5
LPLATE	Link plate	1 ⅞	28	20	508	8	203	5	2.3

Rev 06/20/24



**ULTRA SURFACE PENINSULAS, ESD LAMINATE**

- 1¼" high laminate surface assemblies mount to UltraFrames or Panels or attaches to adjacent rectangular surfaces.
- Symbiote dissipative surfaces are manufactured with Nevamar® Static Dissipative Laminates (SDL). Nevamar SDL is manufactured to have a point to point and point to ground resistance of 1 x 106 to 1 x 109 ohms @ 10-60% relative humidity. Nevamar SDL conforms to ESD Association Standard ESD-S4.1.
- Dissipative surfaces include a Laminate Grounding Terminal Kit.
- Surfaces have a matching square edge-band or full-round edge.
- Includes one black 3¼" diameter leg that adjusts from 27" - 36" to the underside of a surface.
- Peninsulas are predrilled for surface supports.
- Load capacity 500 lbs. evenly distributed.

**NOTES**

- » Frame-Mount Surface Supports or Cantilever Supports are required to mount to UltraFrames or Panels. Surface B Support Brackets are required for attachment to Ultra Legs. Order supports separately; see pages 4.31 - 4.33.
- » Link Plates are required to attach peninsulas to adjacent surfaces without the use of other surface supports. Black finish. Order separately; see below.
- » Ultra Surface Peninsulas are not predrilled for Task Drawers.

**How to Specify**

**Step 1. Product Number**

- UPDS Peninsula, Square Edge
- UPDR Peninsula, Full-Round Edge

**Step 2. Depth**

- 30 30" deep 36 36" deep

**Step 3. Width**

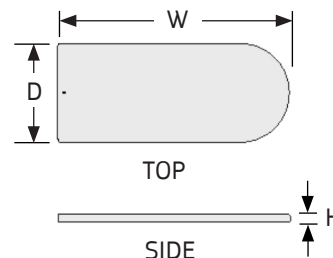
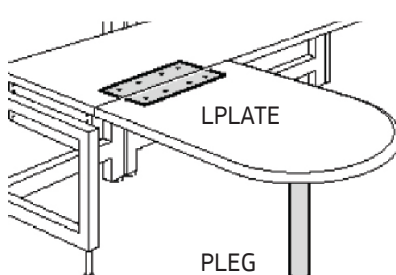
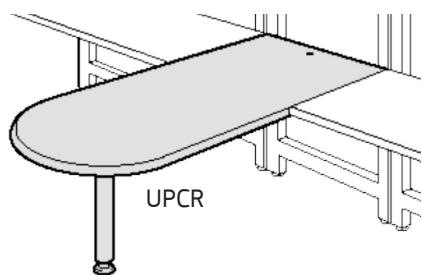
- 48 48" wide 60 60" wide 72 72" wide

**Step 4. Laminate Color Code**

- DBK Dissipative Black
- DG Dissipative Grey
- DNW Dissipative Neutral White
- DS Dissipative Sand
- DW Dissipative White

ProduDt Number	DesDription	Height		Width		Depth		Weight	
		in.	[mm]	in.	[mm]	in.	[mm]	lb.	[kg]
UPDS3048	ESD laminate, peninsula, square edge	1 ¼	32	48	1219	30	762	55	24.9
UPDS3060	ESD laminate, peninsula, square edge	1 ¼	32	60	1524	30	762	66	29.9
UPDS3072	ESD laminate, peninsula, square edge	1 ¼	32	72	1829	30	762	77	34.9
UPDS3648	ESD laminate, peninsula, square edge	1 ¼	32	48	1219	36	914	64	29.0
UPDS3660	ESD laminate, peninsula, square edge	1 ¼	32	60	1524	36	914	77	34.9
UPDS3672	ESD laminate, peninsula, square edge	1 ¼	32	72	1829	36	914	90	40.8
UPDR3048	ESD laminate, peninsula, full-round edge	1 ¼	32	48	1219	30	762	55	24.9
UPDR3060	ESD laminate, peninsula, full-round edge	1 ¼	32	60	1524	30	762	66	29.9
UPDR3072	ESD laminate, peninsula, full-round edge	1 ¼	32	72	1829	30	762	77	34.9
UPDR3648	ESD laminate, peninsula, full-round edge	1 ¼	32	48	1219	36	914	64	29.0
UPDR3660	ESD laminate, peninsula, full-round edge	1 ¼	32	60	1524	36	914	77	34.9
UPDR3672	ESD laminate, peninsula, full-round edge	1 ¼	32	72	1829	36	914	90	40.8
PLEGBT	Peninsula leg			3 ¼	83	3 ¼	83	10	4.5
LPLATE	Link plate	1 ½	28	20	508	8	203	5	2.3

Rev 09/24/20



**ULTRA SURFACE PENINSULAS, CHEMSURF LAMINATE**

- 1¼" high laminate surface assemblies mount to UltraFrames or Panels or attaches to adjacent rectangular surfaces.
- Wilsonart® Chemsurf laminates are designed for corrosive environments with exceptional chemical and wear resistance.
- Surfaces include a matching square edge-band or full-round edge.
- Includes one black 3¼" diameter leg that adjusts from 27" - 36" to the underside of a surface.
- Peninsulas are predrilled for surface supports.
- Load capacity 500 lbs. evenly distributed.

**NOTES**

- » Frame-Mount Surface Supports or Cantilever Supports are required to mount to UltraFrames or Panels. Surface B Support Brackets are required for attachment to Ultra Legs. Order supports separately; see pages 4.31 - 4.33.
- » Link Plates are required to attach peninsulas to adjacent surfaces without the use of other surface supports. Black finish. Order separately; see below.
- » Ultra Surface Peninsulas are not predrilled for Task Drawers.

**How to Specify**

**Step 1. Product Number**

- UPCS Peninsula, Square Edge
- UPCR Peninsula, Full-Round Edge

**Step 2. Depth**

- 30 30" deep 36 36" deep

**Step 3. Width**

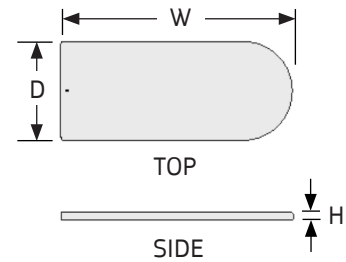
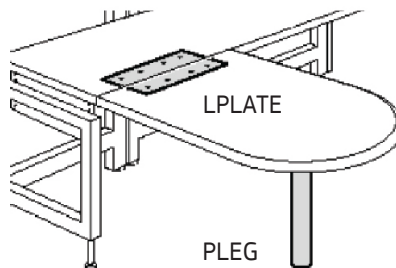
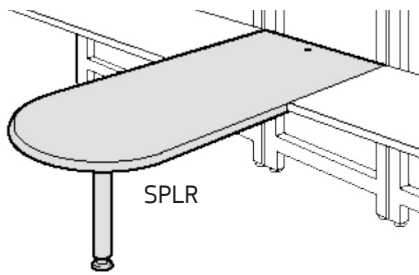
- 48 48" wide 60 60" wide 72 72" wide

**Step 4. Chemsurf Laminate Color Code**

- CBK Black
- CGL Grey Light
- CNW Neutral White

Product Number	Description	Height		Width		Depth		Weight	
		in.	[mm]	in.	[mm]	in.	[mm]	lb.	[kg]
UPCS3048	Chemsurf laminate, peninsula, square edge	1 ¼	32	48	1219	30	762	55	24.9
UPCS3060	Chemsurf laminate, peninsula, square edge	1 ¼	32	60	1524	30	762	66	29.9
UPCS3072	Chemsurf laminate, peninsula, square edge	1 ¼	32	72	1829	30	762	77	34.9
UPCS3648	Chemsurf laminate, peninsula, square edge	1 ¼	32	48	1219	36	914	64	29.0
UPCS3660	Chemsurf laminate, peninsula, square edge	1 ¼	32	60	1524	36	914	77	34.9
UPCS3672	Chemsurf laminate, peninsula, square edge	1 ¼	32	72	1829	36	914	90	40.8
UPCR3048	Chemsurf laminate, peninsula, full-round edge	1 ¼	32	48	1219	30	762	55	24.9
UPCR3060	Chemsurf laminate, peninsula, full-round edge	1 ¼	32	60	1524	30	762	66	29.9
UPCR3072	Chemsurf laminate, peninsula, full-round edge	1 ¼	32	72	1829	30	762	77	34.9
UPCR3648	Chemsurf laminate, peninsula, full-round edge	1 ¼	32	48	1219	36	914	64	29.0
UPCR3660	Chemsurf laminate, peninsula, full-round edge	1 ¼	32	60	1524	36	914	77	34.9
UPCR3672	Chemsurf laminate, peninsula, full-round edge	1 ¼	32	72	1829	36	914	90	40.8
PLEGBT	Peninsula leg			3 ¼	83	3 ¼	83	10	4.5
LPLATE	Link plate	1 ⅞	28	20	508	8	203	5	2.3

Rev 02/12/18



**STD. SURFACE PENINSULAS, STANDARD LAMINATE**

- 1¼" high laminate surface assemblies mount to UltraFrames or Panels or attaches to adjacent rectangular surfaces.
- Surfaces include a matching square edge-band or full-round edge.
- Includes one black 3¼" diameter leg that adjusts from 27" - 36" to the underside of a surface.
- Peninsulas are predrilled for surface supports.
- Load capacity 300 lbs. evenly distributed.

**NOTES**

- » Frame-Mount Surface Supports or Cantilever Supports are required to mount to UltraFrames or Panels. Surface B Support Brackets are required for attachment to Ultra Legs. Order supports separately; see pages 4.31 - 4.33.
- » Link Plates are required to attach peninsulas to adjacent surfaces without the use of other surface supports. Black finish. Order separately; see below.
- » Ultra Surface Peninsulas are not predrilled for Task Drawers.

**How to Specify**

**Step 1. Product Number**

- SPLS Peninsula, Square Edge
- SPLR Peninsula, Full-Round Edge

**Step 2. Depth**

- 30 30" deep 36 36" deep

**Step 3. Width**

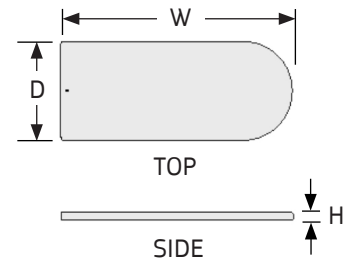
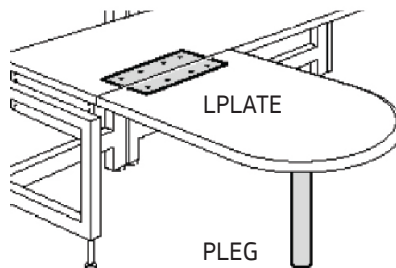
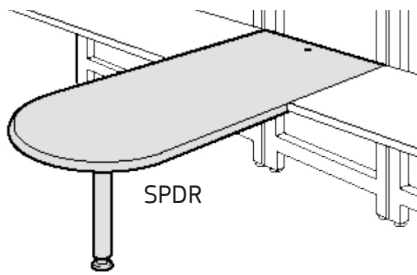
- 48 48" wide 60 60" wide 72 72" wide

**Step 4. Laminate Color Code**

- AW Arctic White
- BK Black
- GF Grey Fleck
- GL Grey Light
- NW Neutral White
- SA Sand
- WF White Fleck

Product Number	Description	Height		Width		Depth		Weight	
		in.	[mm]	in.	[mm]	in.	[mm]	lb.	[kg]
SPLS3048	Standard laminate, peninsula, square edge	1 ¼	32	48	1219	30	762	55	24.9
SPLS3060	Standard laminate, peninsula, square edge	1 ¼	32	60	1524	30	762	66	29.9
SPLS3072	Standard laminate, peninsula, square edge	1 ¼	32	72	1829	30	762	77	34.9
SPLS3648	Standard laminate, peninsula, square edge	1 ¼	32	48	1219	36	914	64	29.0
SPLS3660	Standard laminate, peninsula, square edge	1 ¼	32	60	1524	36	914	77	34.9
SPLS3672	Standard laminate, peninsula, square edge	1 ¼	32	72	1829	36	914	90	40.8
SPLR3048	Standard laminate, peninsula, full-round edge	1 ¼	32	48	1219	30	762	55	24.9
SPLR3060	Standard laminate, peninsula, full-round edge	1 ¼	32	60	1524	30	762	66	29.9
SPLR3072	Standard laminate, peninsula, full-round edge	1 ¼	32	72	1829	30	762	77	34.9
SPLR3648	Standard laminate, peninsula, full-round edge	1 ¼	32	48	1219	36	914	64	29.0
SPLR3660	Standard laminate, peninsula, full-round edge	1 ¼	32	60	1524	36	914	77	34.9
SPLR3672	Standard laminate, peninsula, full-round edge	1 ¼	32	72	1829	36	914	90	40.8
PLEGBT	Peninsula leg			3 ¼	83	3 ¼	83	10	4.5
LPLATE	Link plate	1 ⅞	28	20	508	8	203	5	2.3

Rev 06/20/24



**STD. SURFACE PENINSULAS, ESD LAMINATE**

- 1¼" high laminate surface assemblies mount to UltraFrames or Panels or attaches to adjacent rectangular surfaces.
- Symbiote dissipative surfaces are manufactured with Nevamar® Static Dissipative Laminates (SDL). Nevamar SDL is manufactured to have a point to point and point to ground resistance of 1 x 106 to 1 x 109 ohms @ 10-60% relative humidity. Nevamar SDL conforms to ESD Association Standard ESD-S4.1.
- Dissipative surfaces include a Laminate Grounding Terminal Kit.
- Surfaces have a matching edge-band or full-round edge.
- Includes one black 3¼" diameter leg that adjusts from 27" - 36" to the underside of a surface.
- Peninsulas are predrilled for surface supports.
- Load capacity 300 lbs. evenly distributed.

**NOTES**

- » Frame-Mount Surface Supports or Cantilever Supports are required to mount to UltraFrames or Panels. Surface B Support Brackets are required for attachment to Ultra Legs. Order supports separately; see pages 4.31 - 4.33.
- » Link Plates are required to attach peninsulas to adjacent surfaces without the use of other surface supports. Black finish. Order separately; see below.
- » Ultra Surface Peninsulas are not predrilled for Task Drawers.

**How to Specify**

**Step 1. Product Number**

- SPDS Peninsula, Square Edge
- SPDR Peninsula, Full-Round Edge

**Step 2. Depth**

- 30 30" deep 36 36" deep

**Step 3. Width**

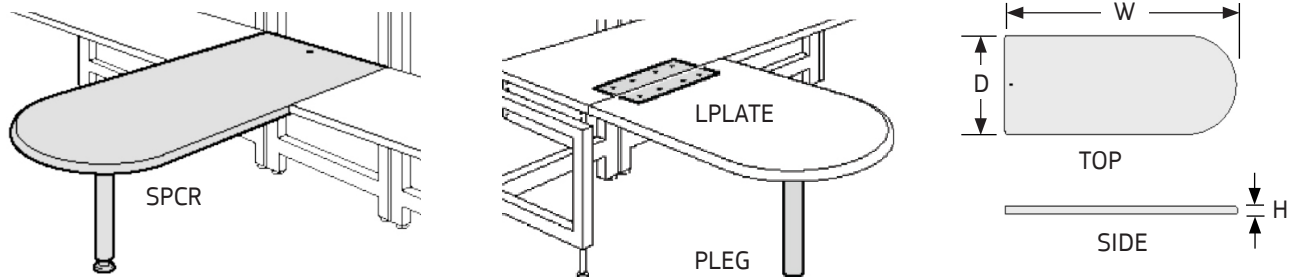
- 48 48" wide 60 60" wide 72 72" wide

**Step 4. Laminate Color Code**

- DBK Dissipative Black
- DG Dissipative Grey
- DNW Dissipative Neutral White
- DS Dissipative Sand
- DW Dissipative White

ProDuT Number	DesDription	Height		Width		Depth		Weight	
		in.	[mm]	in.	[mm]	in.	[mm]	lb.	[kg]
SPDS3048	ESD laminate, peninsula, square edge	1 ¼	32	48	1219	30	762	55	24.9
SPDS3060	ESD laminate, peninsula, square edge	1 ¼	32	60	1524	30	762	66	29.9
SPDS3072	ESD laminate, peninsula, square edge	1 ¼	32	72	1829	30	762	77	34.9
SPDS3648	ESD laminate, peninsula, square edge	1 ¼	32	48	1219	36	914	64	29.0
SPDS3660	ESD laminate, peninsula, square edge	1 ¼	32	60	1524	36	914	77	34.9
SPDS3672	ESD laminate, peninsula, square edge	1 ¼	32	72	1829	36	914	90	40.8
SPDR3048	ESD laminate, peninsula, full-round edge	1 ¼	32	48	1219	30	762	55	24.9
SPDR3060	ESD laminate, peninsula, full-round edge	1 ¼	32	60	1524	30	762	66	29.9
SPDR3072	ESD laminate, peninsula, full-round edge	1 ¼	32	72	1829	30	762	77	34.9
SPDR3648	ESD laminate, peninsula, full-round edge	1 ¼	32	48	1219	36	914	64	29.0
SPDR3660	ESD laminate, peninsula, full-round edge	1 ¼	32	60	1524	36	914	77	34.9
SPDR3672	ESD laminate, peninsula, full-round edge	1 ¼	32	72	1829	36	914	90	40.8
PLEGBT	Peninsula leg			3 ¼	83	3 ¼	83	10	4.5
LPLATE	Link plate	1 ⅞	28	20	508	8	203	5	2.3

Rev 09/24/20



## STD. SURFACE PENINSULAS, CHEMSURF LAMINATE

- 1¼" high laminate surface assemblies mount to UltraFrames or Panels or attaches to adjacent rectangular surfaces.
- Wilsonart® Chemsurf laminates are designed for corrosive environments with exceptional chemical and wear resistance.
- Surfaces include a matching square edge-band or full-round edge.
- Includes one black 3¼" diameter leg that adjusts from 27" - 36" to the underside of a surface.
- Peninsulas are predrilled for surface supports.
- Load capacity 300 lbs. evenly distributed.

### NOTES

- » Frame-Mount Surface Supports or Cantilever Supports are required to mount to UltraFrames or Panels. Surface B Support Brackets are required for attachment to Ultra Legs. Order supports separately; see pages 4.31 - 4.33.
- » Link Plates are required to attach peninsulas to adjacent surfaces without the use of other surface supports. Black finish. Order separately; see below.
- » Ultra Surface Peninsulas are not predrilled for Task Drawers.

## How to Specify

### Step 1. Product Number

- SPCS Peninsula, Square Edge  
SPCR Peninsula, Full-Round Edge

### Step 2. Depth

- 30 30" deep 36 36" deep

### Step 3. Width

- 48 48" wide 60 60" wide 72 72" wide

### Step 4. Chemsurf Laminate Color Code

- CBK Black  
CGL Grey Light  
CNW Neutral White

Product Number	Description	Height		Width		Depth		Weight	
		in.	[mm]	in.	[mm]	in.	[mm]	lb.	[kg]
SPCS3048	Chemsurf laminate, peninsula, square edge	1 ¼	32	48	1219	30	762	55	24.9
SPCS3060	Chemsurf laminate, peninsula, square edge	1 ¼	32	60	1524	30	762	66	29.9
SPCS3072	Chemsurf laminate, peninsula, square edge	1 ¼	32	72	1829	30	762	77	34.9
SPCS3648	Chemsurf laminate, peninsula, square edge	1 ¼	32	48	1219	36	914	64	29.0
SPCS3660	Chemsurf laminate, peninsula, square edge	1 ¼	32	60	1524	36	914	77	34.9
SPCS3672	Chemsurf laminate, peninsula, square edge	1 ¼	32	72	1829	36	914	90	40.8
SPCR3048	Chemsurf laminate, peninsula, full-round edge	1 ¼	32	48	1219	30	762	55	24.9
SPCR3060	Chemsurf laminate, peninsula, full-round edge	1 ¼	32	60	1524	30	762	66	29.9
SPCR3072	Chemsurf laminate, peninsula, full-round edge	1 ¼	32	72	1829	30	762	77	34.9
SPCR3648	Chemsurf laminate, peninsula, full-round edge	1 ¼	32	48	1219	36	914	64	29.0
SPCR3660	Chemsurf laminate, peninsula, full-round edge	1 ¼	32	60	1524	36	914	77	34.9
SPCR3672	Chemsurf laminate, peninsula, full-round edge	1 ¼	32	72	1829	36	914	90	40.8
PLEGBT	Peninsula leg			3 ¼	83	3 ¼	83	10	4.5
LPLATE	Link plate	1 ½	28	20	508	8	203	5	2.3

Rev 02/12/18



THIS PAGE LEFT BLANK

