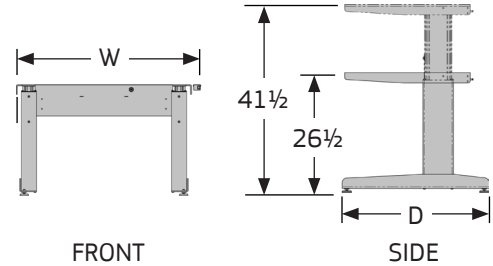
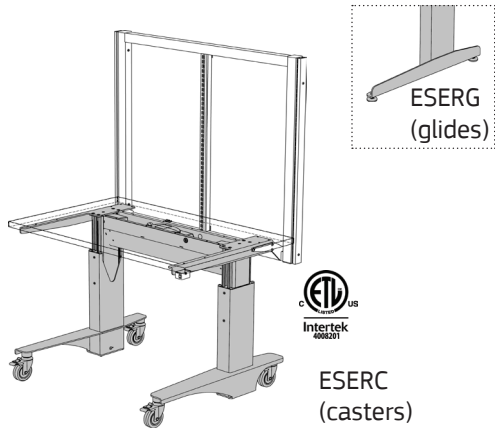


## TABLES

ErgoStat Base, Electric, 15" Travel Range . . . . .	3.2
ErgoStat Base, Electric, 18" Travel Range . . . . .	3.3
ErgoStat Base, Positionable, 15" Travel Range . . . . .	3.4
ErgoStat Base, Positionable, 18" Travel Range . . . . .	3.5
ErgoStat Riser Frame . . . . .	3.6
ErgoStat Riser Spine + End Cover . . . . .	3.7
WorkTable Base, Electric, 15" Travel Range . . . . .	3.8
WorkTable Base, Electric, 18" Travel Range . . . . .	3.9
WorkTable Base, Positionable, 15" Travel Range . . . . .	3.10
WorkTable Base, Positionable, 18" Travel Range . . . . .	3.11
Table Base, Electric, 15" Travel Range . . . . .	3.12
Table Base, Electric, 18" Travel Range . . . . .	3.13
Table Base, Electric, 15" Travel Range, 36" D. Surface . . . . .	3.14
Table Base, Electric, 18" Travel Range, 36" D. Surface . . . . .	3.15
Table Base, Positionable, 15" Travel Range . . . . .	3.16
Table Base, Positionable, 18" Travel Range . . . . .	3.17
Table Base, Positionable, 15" Travel Range, 36" D. Surface . . . . .	3.18
Table Base, Positionable, 18" Travel Range, 36" D. Surface . . . . .	3.19
ErgoStat Footrest . . . . .	3.20
Lower Shelf . . . . .	3.21
4-Legged Table, Glides . . . . .	3.22
4-Legged Table, Casters . . . . .	3.24
Symple Table Base, Electric, 26" Travel Range . . . . .	3.26
Hand Control Switches - Electric Base . . . . .	3.27
Lower Shelf, 4-Legged Table . . . . .	3.28
Tetrad Table, C-Style . . . . .	3.29
Tetrad Table, T-Style . . . . .	3.30
Tetrad Table, Lower Shelf . . . . .	3.32





**ERGOSTAT BASE, ELECTRIC, 15" TRAVEL RANGE**

- Use with a 30" or 36" D surface to construct a height adjustable bench.
- Optional attachable Riser Frame bolts to base to provide upright support for hanging components.
- The electrically driven self-guided aluminum assemblies have a 15" travel range from 26½" to 41½" to the underside of the surface, rising at ¼" per second.
- Bases require 120 Volt, 60 Hz. power. A hand control switch and a 9½' power cord are supplied. Amp draw: 4 Amps.
- Available with leveling glides or 4" polypropylene casters with totallock brakes (simultaneously locks the swivel and wheel).
- Gross dynamic load capacity 750 lbs. evenly distributed.
- Shipped fully assembled. Hand control switch is field installed.
- ETL recognized; conforms to UL Std. 962 and certified to CSA Std. C22.2 No. 68.

**How to Specify**

**Step 1. Product Number**

- ESERG Glide Base, 15" Travel Range
- ESERC Caster Base, 15" Travel Range

**Step 2. Width**

- 36 36" wide    48 48" wide    60 60" wide
- 72 72" wide    96 96" wide

**Step 3. Paint Color Code**

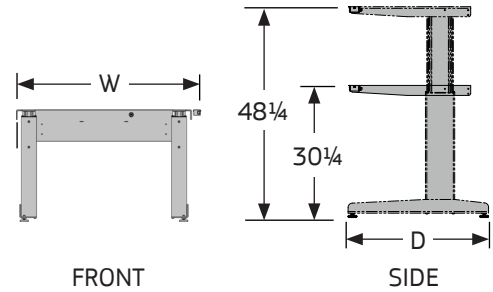
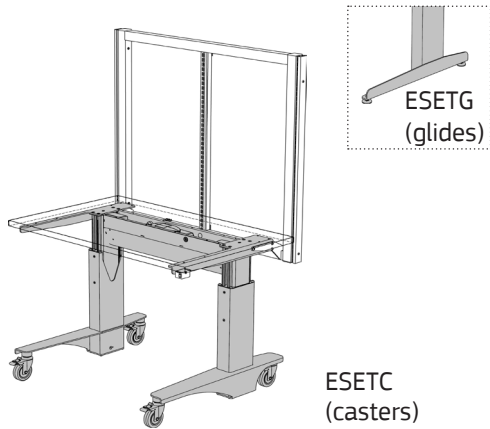
- STANDARD
- AS Argent Silver                      GL Grey Light Smooth
  - AW Arctic White                        GT Grey Light Texture
  - BK Black                                    NW Neutral White
  - BT Black Texture                        ST Sand Texture

**NOTES**

- » Surfaces sold separately; see Section 4.0. Bases will not accommodate 24" deep surfaces.
- » ErgoStat Riser Frame sold separately; see page 3.6.
- » Optional Footrest and Lower Shelf sold separately; see pages 3.20 - 3.21.
- » Travel range is measured from floor to bottom of surface.
- » International electrical configuration available; consult factory.
- » Hand control switch (Symbiote standard "J") is field installed. Optional styles available; see page 3.27.

Product Number	Description	Width		Depth		Weight	
		in.	[mm]	in.	[mm]	lb.	[kg]
ESERG36J	Electric, 15" travel range, glides	30	762	32 ½	816	83	37.6
ESERG48J	Electric, 15" travel range, glides	42	1067	32 ½	816	86	39.0
ESERG60J	Electric, 15" travel range, glides	54	1372	32 ½	816	90	40.8
ESERG72J	Electric, 15" travel range, glides	66	1676	32 ½	816	94	42.6
ESERG96J	Electric, 15" travel range, glides	90	2286	32 ½	816	101	45.8
ESERC36J	Electric, 15" travel range, casters	30	762	34 ½	867	126	57.2
ESERC48J	Electric, 15" travel range, casters	42	1067	34 ½	867	130	59.0
ESERC60J	Electric, 15" travel range, casters	54	1372	34 ½	867	133	60.3
ESERC72J	Electric, 15" travel range, casters	66	1676	34 ½	867	137	62.1
ESERC96J	Electric, 15" travel range, casters	90	2286	34 ½	867	144	65.3

Rev 08/15/24



**ERGOSTAT BASE, ELECTRIC, 18" TRAVEL RANGE**

- Use with a 30" or 36" deep surface to construct a height adjustable bench.
- Optional attachable Riser Frame bolts to base to provide upright support for hanging components. Sold separately; see page 3.6.
- The electrically driven self-guided aluminum assemblies have a 18" travel range from 30 1/4" to 48 1/4" to the underside of the surface, rising at 1/4" per second.
- Bases require 120 Volt, 60 Hz. power. A hand control switch and a 9 1/2' power cord are supplied. Amp draw: 4 Amps.
- Available with leveling glides or 4" polypropylene casters with totalock brakes (simultaneously locks the swivel and wheel).
- Gross dynamic load capacity 500 lbs. evenly distributed.
- Shipped fully assembled. Hand control switch is field installed.
- Uses ETL recognized components.

**NOTES**

- » Surfaces sold separately; see Section 4.0. Bases will not accommodate 24" deep surfaces.
- » ErgoStat Riser Frame sold separately; see page 3.6.
- » Optional Footrest and Lower Shelf sold separately; see pages 3.20 - 3.21.
- » Travel range is measured from floor to bottom of surface.
- » International electrical configuration available; consult factory.
- » Hand control switch (Symbiote standard "J") is field installed. Optional styles available; see page 3.27.

**How to Specify**

**Step 1. Product Number**

- ESETG Glide Base, 18" Travel Range
- ESETC Caster Base, 18" Travel Range

**Step 2. Width**

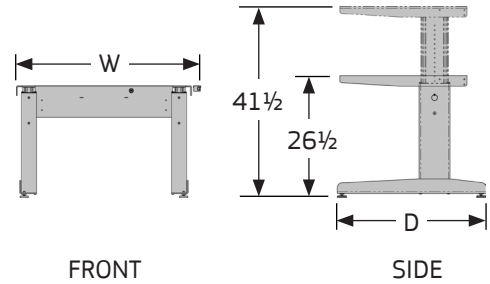
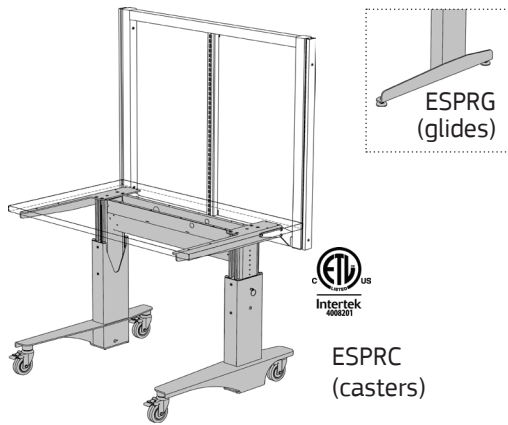
- 36 36" wide    48 48" wide    60 60" wide
- 72 72" wide    96 96" wide

**Step 3. Paint Color Code**

- STANDARD
- AS Argent Silver                      GL Grey Light Smooth
  - AW Arctic White                      GT Grey Light Texture
  - BK Black                                NW Neutral White
  - BT Black Texture                      ST Sand Texture

Product Number	Description	Width		Depth		Weight	
		in.	[mm]	in.	[mm]	lb.	[kg]
ESETG36J	Electric, 18" travel range, glides	30	762	32 1/8	816	90	40.8
ESETG48J	Electric, 18" travel range, glides	42	1067	32 1/8	816	93	42.2
ESETG60J	Electric, 18" travel range, glides	54	1372	32 1/8	816	97	44.0
ESETG72J	Electric, 18" travel range, glides	66	1676	32 1/8	816	101	45.8
ESETG96J	Electric, 18" travel range, glides	90	2286	32 1/8	816	108	49.0
ESETC36J	Electric, 18" travel range, casters	30	762	34 1/8	867	133	60.3
ESETC48J	Electric, 18" travel range, casters	42	1067	34 1/8	867	137	62.1
ESETC60J	Electric, 18" travel range, casters	54	1372	34 1/8	867	140	63.5
ESETC72J	Electric, 18" travel range, casters	66	1676	34 1/8	867	144	65.3
ESETC96J	Electric, 18" travel range, casters	90	2286	34 1/8	867	151	68.5

Rev 08/15/24



**ERGOSTAT BASE, POSITIONABLE, 15" TRAVEL RANGE**

- Use with a 30" or 36" deep surface to construct a height adjustable bench.
- Optional attachable Riser Frame bolts to base to provide upright support for hanging components.
- The self-guided aluminum assemblies have a 15" travel range from 26½" to 41½" to the underside of the surface. Bases adjust in 1" increments with threaded fasteners.
- Available with leveling glides or 4" polypropylene casters with totalock brakes (simultaneously locks the swivel and wheel).
- Load capacity 750 lbs. evenly distributed.
- Shipped fully assembled.
- ETL recognized; conforms to UL Std. 962 and certified to CSA Std. C22.2 No. 68.

**NOTES**

- » Surfaces sold separately; see Section 4.0. Bases will not accommodate 24" deep surfaces.
- » ErgoStat Riser Frame sold separately; see page 3.6.
- » Optional Footrest and Lower Shelf sold separately; see pages 3.20 - 3.21.
- » Travel range is measured from floor to bottom of surface.

**How to Specify**

**Step 1. Product Number**

- ESPRG Glide Base, 15" Travel Range
- ESPRC Caster Base, 15" Travel Range

**Step 2. Width**

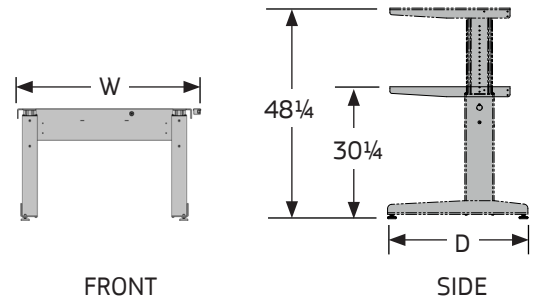
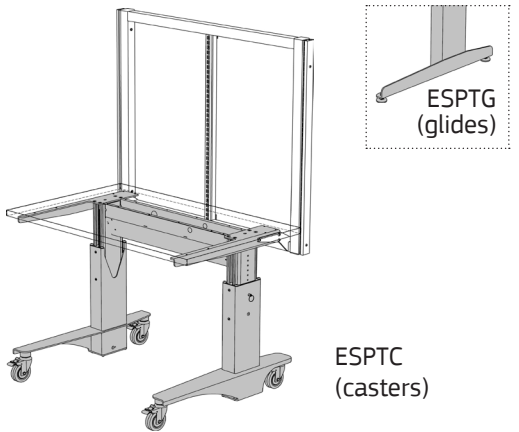
- 36 36" wide    48 48" wide    60 60" wide
- 72 72" wide    96 96" wide

**Step 3. Paint Color Code**

- STANDARD
- AS Argent Silver                      GL Grey Light Smooth
  - AW Arctic White                      GT Grey Light Texture
  - BK Black                                NW Neutral White
  - BT Black Texture                      ST Sand Texture

Product Number	Description	Width		Depth		Weight	
		in.	[mm]	in.	[mm]	lb.	[kg]
ESPRG36W	Positionable, 15" travel range, glides	30	762	32 ½	816	68	30.8
ESPRG48W	Positionable, 15" travel range, glides	42	1067	32 ½	816	71	32.2
ESPRG60W	Positionable, 15" travel range, glides	54	1372	32 ½	816	75	34.0
ESPRG72W	Positionable, 15" travel range, glides	66	1676	32 ½	816	78	35.4
ESPRG96W	Positionable, 15" travel range, glides	90	2286	32 ½	816	85	38.6
ESPRC36W	Positionable, 15" travel range, casters	30	762	34 ½	867	111	50.3
ESPRC48W	Positionable, 15" travel range, casters	42	1067	34 ½	867	115	52.2
ESPRC60W	Positionable, 15" travel range, casters	54	1372	34 ½	867	119	54.0
ESPRC72W	Positionable, 15" travel range, casters	66	1676	34 ½	867	122	55.3
ESPRC96W	Positionable, 15" travel range, casters	90	2286	34 ½	867	129	58.5

Rev 04/01/19



**ERGOSTAT BASE, POSITIONABLE, 18" TRAVEL RANGE**

- Use with a 30" or 36" deep surface to construct a height adjustable bench.
- Optional attachable Riser Frame bolts to base to provide upright support for hanging components.
- The self-guided aluminum assemblies have a 18" travel range from from 30 1/4" to 48 1/4" to the underside of the surface. Bases adjust in 1" increments with pin-adjustable fasteners.
- Available with leveling glides or 4" polypropylene casters with totalock brakes (simultaneously locks the swivel and wheel).
- Load capacity 500 lbs. evenly distributed.
- Shipped fully assembled.

**NOTES**

- » Surfaces sold separately; see Section 4.0. Bases will not accommodate 24" deep surfaces.
- » ErgoStat Riser Frame sold separately; see page 3.6.
- » Optional Footrest and Lower Shelf sold separately; see pages 3.20 - 3.21.
- » Travel range is measured from floor to bottom of surface.

**How to Specify**

**Step 1. Product Number**

- ESPTG Glide Base, 18" Travel Range
- ESPTC Caster Base, 18" Travel Range

**Step 2. Width**

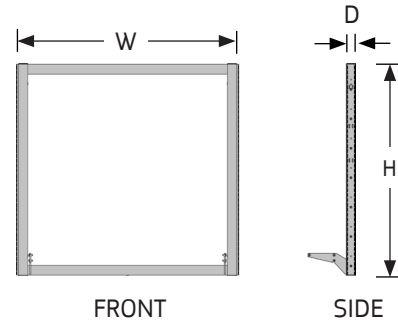
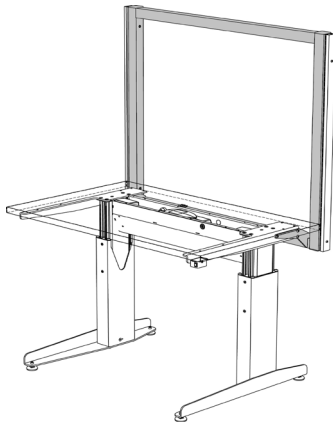
- 36 36" wide 48 48" wide 60 60" wide
- 72 72" wide 96 96" wide

**Step 3. Paint Color Code**

- STANDARD
- AS Argent Silver
  - AW Arctic White
  - BK Black
  - BT Black Texture
  - GL Grey Light Smooth
  - GT Grey Light Texture
  - NW Neutral White
  - ST Sand Texture

Product Number	Description	Width		Depth		Weight	
		in.	[mm]	in.	[mm]	lb.	[kg]
ESPTG36W	Positionable, 18" travel range, glides	30	762	32 1/8	816	75	34.0
ESPTG48W	Positionable, 18" travel range, glides	42	1067	32 1/8	816	77	34.9
ESPTG60W	Positionable, 18" travel range, glides	54	1372	32 1/8	816	82	37.2
ESPTG72W	Positionable, 18" travel range, glides	66	1676	32 1/8	816	85	38.6
ESPTG96W	Positionable, 18" travel range, glides	90	2286	32 1/8	816	92	41.7
ESPTC36W	Positionable, 18" travel range, casters	30	762	34 1/8	867	118	53.5
ESPTC48W	Positionable, 18" travel range, casters	42	1067	34 1/8	867	122	55.3
ESPTC60W	Positionable, 18" travel range, casters	54	1372	34 1/8	867	126	57.2
ESPTC72W	Positionable, 18" travel range, casters	66	1676	34 1/8	867	129	58.5
ESPTC96W	Positionable, 18" travel range, casters	90	2286	34 1/8	867	136	61.7

Rev 04/01/19



**ERGOSTAT RISER FRAME**

- Open style frame provides upright support for hanging components.
- Frame bolts to ErgoStat Base, adjusting in height with the base.
- Frame permits vertical adjustment of components in 1" increments and provides one attachment point for ESD grounding hardware per unit.
- Equipped with attachment points for Riser Spines; 36" wide Riser Frame excluded.
- Frame features ¼"-20 threaded inserts for vertical inside mounting of Cable Ducts Frame Mount, Cable Ring Ducts and Plug Strips. Riser Frames accommodate a 36" component per side.
- Load capacity 250 lbs.

**NOTES**

- » Riser Spines sold separately; see page 3.7.
- » Riser Frames extend 38½" above surfaces.
- » End Covers finish exposed hardware. Sold separately; see page 3.7.
- » Do not hang components from the unsupported side of a frame or panel.

**How to Specify**

**Step 1. Product Number**

RF43

**Step 2. Width**

36 36" wide    48 48" wide    60 60" wide  
72 72" wide    96 96" wide

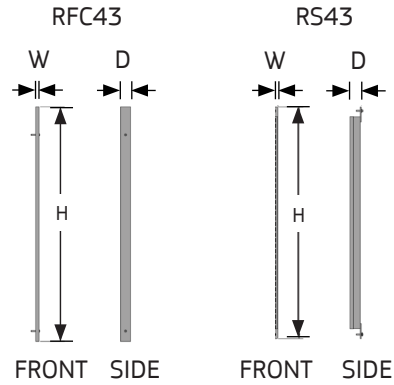
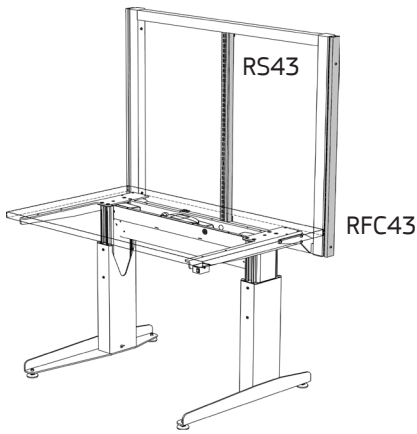
**Step 3. Paint Color Code**

STANDARD

- |    |               |    |                    |
|----|---------------|----|--------------------|
| AS | Argent Silver | GL | Grey Light Smooth  |
| AW | Arctic White  | GT | Grey Light Texture |
| BK | Black         | NW | Neutral White      |
| BT | Black Texture | ST | Sand Texture       |

Product Number	Description	Height		Width		Depth		Weight	
		in.	[mm]	in.	[mm]	in.	[mm]	lb.	[kg]
RF4336	Riser frame	43	1092	36	914	2	51	41	18.6
RF4348	Riser frame	43	1092	48	1219	2	51	50	22.7
RF4360	Riser frame	43	1092	60	1524	2	51	59	26.8
RF4372	Riser frame	43	1092	72	1829	2	51	68	30.8
RF4396	Riser frame	43	1092	96	2438	2	51	86	39.0

Rev 04/01/19



**ERGOSTAT RISER SPINE + END COVER**

**Riser Spines**

- Riser Spines divide ErgoStat Riser Frames into smaller sections and provide upright support for hanging components.
- Spines permit vertical adjustment of components in 1" increments and bolt to attachment points on Riser Frames.
- Riser Spines provide hanger frames on the front only; spines cannot be used for mounting Center Shelves or saddle-mounted arms.
- Finish is Black.

**Riser Frame End Covers**

- Metal covers finish exposed hardware on the ends of Riser Frames.
- Sold individually.
- Finish must be specified.

**NOTES**

- » Riser Frame sold separately; see page 3.6.
- » Riser Spines allowed:
  - 48" - 1
  - 60" - 1 (30-30 or 24-36 split)
  - 72" - up to 2
  - 96" - up to 3

**How to Specify**

**Step 1. Product Number**

- RFC43 End Cover
- RS43 Spine

**Step 2. Paint Color Code (End Cover only)**

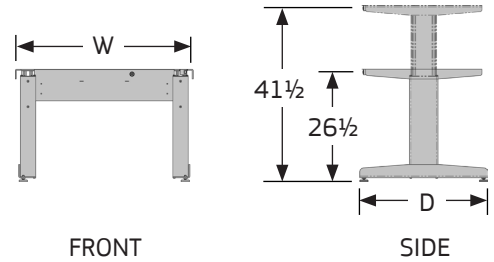
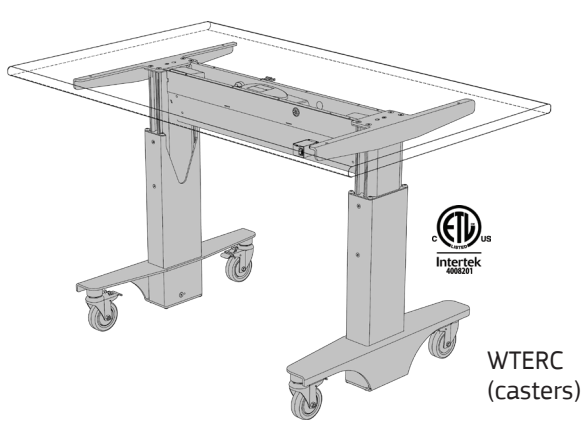
- STANDARD
- AS Argent Silver
  - AW Arctic White
  - BK Black
  - BT Black Texture
  - GL Grey Light Smooth
  - GT Grey Light Texture
  - NW Neutral White
  - ST Sand Texture

**Step 3. Paint Color Code (Riser Spine only)**

- BK Black

Product Number	Description	Height		Width		Depth		Weight	
		in.	[mm]	in.	[mm]	in.	[mm]	lb.	[kg]
RS43BK	Riser frame spine	43	1092	1 ¼	32	2	51	5	2.3
RFC43	Riser frame end cover	43	1092	½	13	2	51	1	0.5

Rev 04/01/19



**WORKTABLE BASE, ELECTRIC, 15" TRAVEL RANGE**

- Use exclusively with Work Surfaces to construct two-sided height adjustable tables.
- 48" wide bases accommodate 48", 60" and 72" wide tops.
- 72" wide bases accommodate 72" and 96" wide tops.
- The electrically driven self-guided aluminum assemblies have a 15" travel range from 26½" to 41½" to the underside of the surfaces, rising at ¼" per second.
- Bases require 120 Volt, 60 Hz. power. A hand control switch and a 9½' power cord are supplied. Amp draw: 4 Amps.
- Available with leveling glides or 4" polypropylene casters with totalock brakes (simultaneously locks the swivel and wheel).
- Gross dynamic load capacity 750 lbs. evenly distributed.
- Shipped fully assembled. Hand control switch is field installed to surfaces.
- ETL recognized; conforms to UL Std. 962 and certified to CSA Std. C22.2 No. 68.

**NOTES**

- » Work Surfaces sold separately; see Section 4.
- » Optional Lower Shelf sold separately; see page 3.21.
- » Travel range is measured from floor to bottom of surface.
- » International electrical configuration available; consult factory.
- » Hand control switch (Symbiote standard "J") is field installed. Optional styles available; see page 3.27.

**How to Specify**

**Step 1. Product Number**

- WTERG Glide Base, 15" Travel Range
- WTERC Caster Base, 15" Travel Range

**Step 2. Depth**

- 30 30" deep 36 36" deep

**Step 3. Width**

- 48 48" wide 72 72" wide

**Step 4. Paint Color Code**

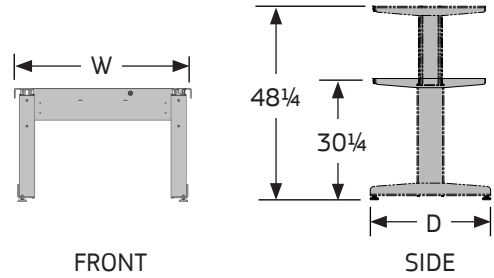
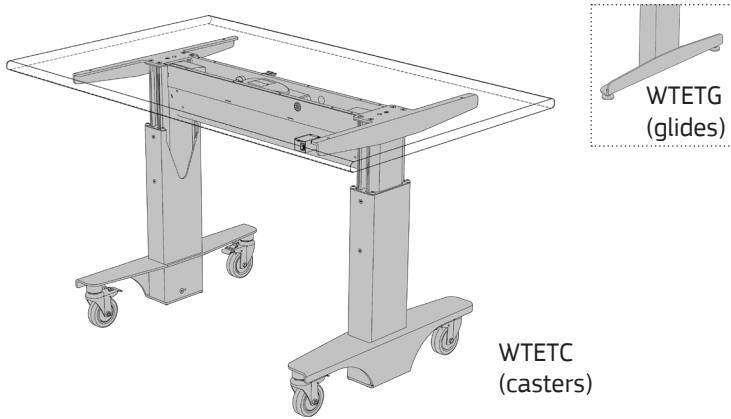
STANDARD

- AS Argent Silver
- AW Arctic White
- BK Black
- BT Black Texture
- GL Grey Light Smooth
- GT Grey Light Texture
- NW Neutral White
- ST Sand Texture

Product Number	Description	Width		Depth		Weight	
		in.	[mm]	in.	[mm]	lb.	[kg]
WTERG3048J	Electric, 15" travel range, glides	42	1067	30	762	106	48.1
WTERG3072J	Electric, 15" travel range, glides	66	1676	30	762	113	51.3
WTERC3048J	Electric, 15" travel range, casters	42	1067	30	762	119	54.0
WTERC3072J	Electric, 15" travel range, casters	66	1676	30	762	126	57.2
WTERG3648J	Electric, 15" travel range, glides	42	1067	30	762	114	51.7
WTERG3672J	Electric, 15" travel range, glides	66	1676	30	762	121	54.9
WTERC3648J	Electric, 15" travel range, casters	42	1067	30	762	127	57.6
WTERC3672J	Electric, 15" travel range, casters	66	1676	30	762	134	60.8

Rev 08/15/24





**WORKTABLE BASE, ELECTRIC, 18" TRAVEL RANGE**

- Use exclusively with Work Surfaces to construct two-sided height adjustable tables.
- 48" wide bases accommodate 48", 60" and 72" wide tops.
- 72" wide bases accommodate 72" and 96" wide tops.
- The electrically driven self-guided aluminum assemblies have a 18" travel range from 30 1/4" to 48 1/4" to the underside of the surfaces, rising at 1/4" per second.
- Bases require 120 Volt, 60 Hz. power. A hand control switch and a 9 1/2' power cord are supplied. Amp draw: 4 Amps.
- Available with leveling glides or 4" polypropylene casters with totalock brakes (simultaneously locks the swivel and wheel).
- Gross dynamic load capacity 500 lbs. evenly distributed.
- Shipped fully assembled. Hand control switch is field installed to surfaces.
- Uses ETL recognized components.

**NOTES**

- » Work Surfaces sold separately; see Section 4.
- » Optional Lower Shelf sold separately; see page 3.21.
- » Travel range is measured from floor to bottom of surface.
- » International electrical configuration available; consult factory.
- » Hand control switch (Symbiote standard "J") is field installed. Optional styles available; see page 3.27.

**How to Specify**

**Step 1. Product Number**

- WTETG Glide Base, 18" Travel Range
- WTETC Caster Base, 18" Travel Range

**Step 2. Depth**

- 30 30" deep 36 36" deep

**Step 3. Width**

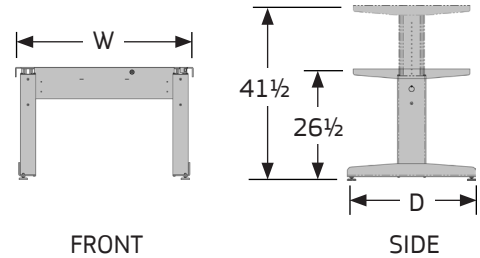
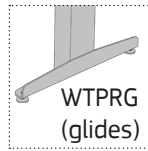
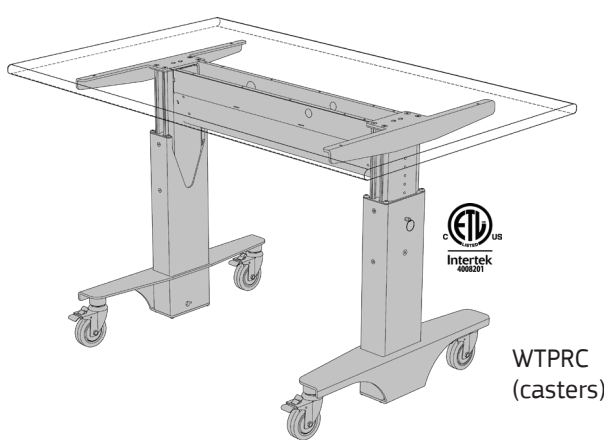
- 48 48" wide 72 72" wide

**Step 4. Paint Color Code**

- STANDARD
- AS Argent Silver
  - AW Arctic White
  - BK Black
  - BT Black Texture
  - GL Grey Light Smooth
  - GT Grey Light Texture
  - NW Neutral White
  - ST Sand Texture

Product Number	Description	Width		Depth		Weight	
		in.	[mm]	in.	[mm]	lb.	[kg]
WTETG3048J	Electric, 18" travel range, glides	42	1067	30	762	113	51.3
WTETG3072J	Electric, 18" travel range, glides	66	1676	30	762	120	54.4
WTETC3048J	Electric, 18" travel range, casters	42	1067	30	762	126	57.2
WTETC3072J	Electric, 18" travel range, casters	66	1676	30	762	133	60.3
WTETG3648J	Electric, 18" travel range, glides	42	1067	36	914	121	54.9
WTETG3672J	Electric, 18" travel range, glides	66	1676	36	914	128	58.1
WTETC3648J	Electric, 18" travel range, casters	42	1067	36	914	134	60.8
WTETC3672J	Electric, 18" travel range, casters	66	1676	36	914	141	64.0

Rev 08/15/24



**WORKTABLE BASE, POSITIONABLE, 15" TRAVEL RANGE**

- Use exclusively with Work Surfaces to construct two-sided height adjustable tables.
- 48" wide bases accommodate 48", 60" and 72" wide tops.
- 72" wide bases accommodate 72" and 96" wide tops.
- The self-guided aluminum assemblies have a 15" travel range from 26½" to 41½" to the underside of the surface. Bases adjust in 1" increments with threaded fasteners.
- Available with leveling glides or 4" polypropylene casters with totalock brakes (simultaneously locks the swivel and wheel).
- Load capacity 750 lbs. evenly distributed.
- Shipped fully assembled.
- ETL recognized; conforms to UL Std. 962 and certified to CSA Std. C22.2 No. 68.

**NOTES**

- » Work Surfaces sold separately; see Section 4.
- » Optional Lower Shelf sold separately; see page 3.21.
- » Travel range is measured from floor to bottom of surface.

**How to Specify**

**Step 1. Product Number**

- WTPRG Glide Base, 15" Travel Range
- WTPRC Caster Base, 15" Travel Range

**Step 2. Depth**

- 30 30" deep    36 36" deep

**Step 3. Width**

- 48 48" wide    72 72" wide

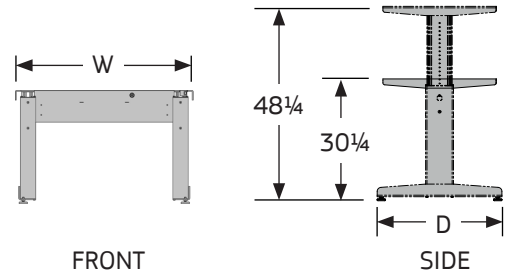
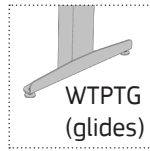
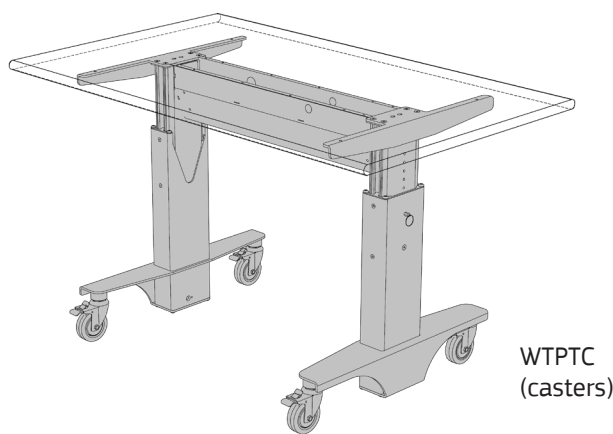
**Step 4. Paint Color Code**

STANDARD

- AS Argent Silver                      GL Grey Light Smooth
- AW Arctic White                        GT Grey Light Texture
- BK Black                                    NW Neutral White
- BT Black Texture                        ST Sand Texture

Product Number	Description	Width		Depth		Weight	
		in.	[mm]	in.	[mm]	lb.	[kg]
WTPRG3048W	Positionable, 15" travel range, glides	42	1067	30	762	98	44.5
WTPRG3072W	Positionable, 15" travel range, glides	66	1676	30	762	126	57.2
WTPRC3048W	Positionable, 15" travel range, casters	42	1067	30	762	103	46.7
WTPRC3072W	Positionable, 15" travel range, casters	66	1676	30	762	111	50.3
WTPRG3648W	Positionable, 15" travel range, glides	42	1067	36	914	106	48.1
WTPRG3672W	Positionable, 15" travel range, glides	66	1676	36	914	134	60.8
WTPRC3648W	Positionable, 15" travel range, casters	42	1067	36	914	111	50.3
WTPRC3672W	Positionable, 15" travel range, casters	66	1676	36	914	119	54.0

Rev 04/01/19



**WORKTABLE BASE, POSITIONABLE, 18" TRAVEL RANGE**

- Use exclusively with Work Surfaces to construct two-sided height adjustable tables.
- 48" wide bases accommodate 48", 60" and 72" wide tops.
- 72" wide bases accommodate 72" and 96" wide tops.
- The self-guided aluminum assemblies have a 18" travel range from 30 1/4" to 48 1/4" to the underside of the surface. Bases adjust in 1" increments with threaded fasteners.
- Available with leveling glides or 4" polypropylene casters with totallock brakes (simultaneously locks the swivel and wheel).
- Load capacity 500 lbs. evenly distributed.
- Shipped fully assembled.

**NOTES**

- » Work Surfaces sold separately; see Section 4.
- » Optional Lower Shelf sold separately; see page 3.21.
- » Travel range is measured from floor to bottom of surface.

**How to Specify**

**Step 1. Product Number**

- WTPTG Glide Base, 18" Travel Range
- WTPTC Caster Base, 18" Travel Range

**Step 2. Depth**

- 30 30" deep 36 36" deep

**Step 3. Width**

- 48 48" wide 72 72" wide

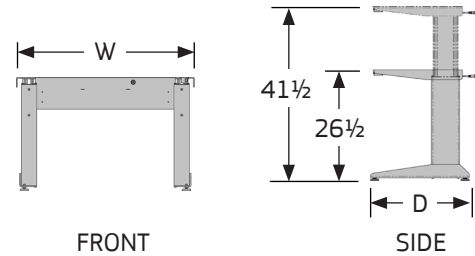
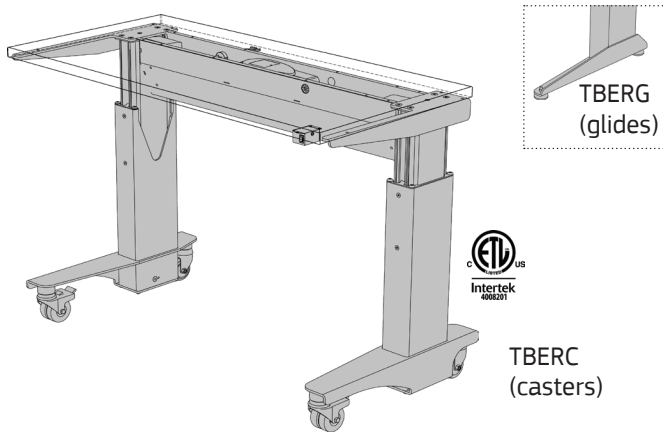
**Step 4. Paint Color Code**

STANDARD

- AS Argent Silver
- AW Arctic White
- BK Black
- BT Black Texture
- GL Grey Light Smooth
- GT Grey Light Texture
- NW Neutral White
- ST Sand Texture

Product Number	Description	Width		Depth		Weight	
		in.	[mm]	in.	[mm]	lb.	[kg]
WTPTG3048W	Positionable, 18" travel range, glides	42	1067	30	762	103	46.7
WTPTG3072W	Positionable, 18" travel range, glides	66	1676	30	762	105	47.6
WTPTC3048W	Positionable, 18" travel range, casters	42	1067	30	762	110	49.9
WTPTC3072W	Positionable, 18" travel range, casters	66	1676	30	762	118	53.5
WTPTG3648W	Positionable, 18" travel range, glides	42	1067	36	914	109	49.4
WTPTG3672W	Positionable, 18" travel range, glides	66	1676	36	914	113	51.3
WTPTC3648W	Positionable, 18" travel range, casters	42	1067	36	914	118	53.5
WTPTC3672W	Positionable, 18" travel range, casters	66	1676	36	914	126	57.2

Rev 06/03/19



**TABLE BASE, ELECTRIC, 15" TRAVEL RANGE**

- Use with 24" and 30" deep Ultra Surfaces to construct a height adjustable bench.
- The electrically driven self-guided aluminum assemblies have a 15" travel range from 26½" to 41½" to the underside of the surfaces, rising at ¼" per second.
- Bases require 120 Volt, 60 Hz. power. A hand control switch and a 9½' power cord are supplied. Amp Draw: 4 Amps.
- Available with leveling glides or 3" polypropylene locking casters.
- Gross dynamic load capacity 750 lbs. evenly distributed.
- Shipped fully assembled. Hand control switch is field installed to surfaces.
- ETL recognized; conforms to UL Std. 962 and certified to CSA Std. C22.2 No. 68.

**NOTES**

- » Surfaces sold separately; see Section 4. The 30" and 36" deep surfaces are limited to 18" and 24" deep accessories respectively. Accessories greater than 12" deep cannot be mounted to 24" deep surfaces.
- » Optional Lower Shelf sold separately; see page 3.21.
- » Travel range is measured from floor to bottom of surface.
- » International electrical configuration available; consult factory.
- » Hand control switch (Symbiote standard "J") is field installed. Optional styles available; see page 3.27.

**How to Specify**

**Step 1. Product Number**

- TBERG** Glide Base, 15" Travel Range
- TBERC** Caster Base, 15" Travel Range

**Step 2. Width**

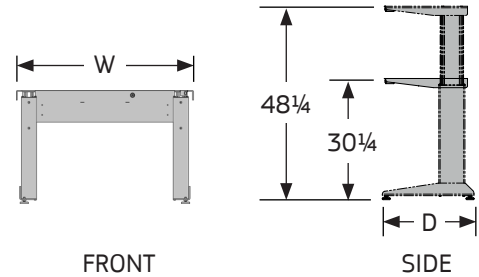
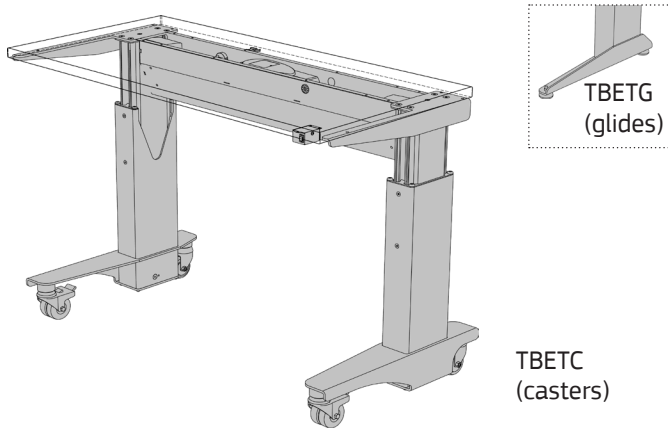
- 36** 36" wide    **48** 48" wide    **60** 60" wide
- 72** 72" wide    **96** 96" wide

**Step 3. Paint Color Code**

- STANDARD
- AS** Argent Silver                      **GL** Grey Light Smooth
  - AW** Arctic White                        **GT** Grey Light Texture
  - BK** Black                                    **NW** Neutral White
  - BT** Black Texture                        **ST** Sand Texture

Product Number	Description	Width		Depth		Weight	
		in.	[mm]	in.	[mm]	lb.	[kg]
TBERG36J	Electric, 15" travel, glides, 24" and 30" surfaces	35 ½	902	23 ½	597	83	37.6
TBERG48J	Electric, 15" travel, glides, 24" and 30" surfaces	47 ½	1207	23 ½	597	86	39.0
TBERG60J	Electric, 15" travel, glides, 24" and 30" surfaces	59 ½	1511	23 ½	597	91	41.3
TBERG72J	Electric, 15" travel, glides, 24" and 30" surfaces	71 ½	1816	23 ½	597	94	42.6
TBERG96J	Electric, 15" travel, glides, 24" and 30" surfaces	95 ½	2426	32 ⅞	816	101	45.8
TBERC36J	Electric, 15" travel, casters, 24" and 30" surfaces	35 ½	902	23 ½	597	126	57.2
TBERC48J	Electric, 15" travel, casters, 24" and 30" surfaces	47 ½	1207	23 ½	597	130	59.0
TBERC60J	Electric, 15" travel, casters, 24" and 30" surfaces	59 ½	1511	23 ½	597	134	60.8
TBERC72J	Electric, 15" travel, casters, 24" and 30" surfaces	71 ½	1816	23 ½	597	137	62.1
TBERC96J	Electric, 15" travel, casters, 24" and 30" surfaces	95 ½	2426	23 ½	597	145	65.8

Rev 08/15/24



**TABLE BASE, ELECTRIC, 18" TRAVEL RANGE**

- Use with 24" and 30" deep surfaces to construct a height adjustable bench.
- The electrically driven self-guided aluminum assemblies have a 18" travel range from 30 1/4" to 48 1/4" to the underside of the surface, rising at 1/4" per second.
- Bases require 120 Volt, 60 Hz. power. A hand control switch and a 9 1/2' power cord are supplied. Amp Draw: 4 Amps.
- Available with leveling glides or 3" polypropylene locking casters.
- Gross dynamic load capacity 500 lbs. evenly distributed.
- Shipped fully assembled. Hand control switch is field installed to surfaces.
- Uses ETL recognized components.

**NOTES**

- » Surfaces sold separately; see Section 4. The 30" and 36" deep surfaces are limited to 18" and 24" deep accessories respectively. Accessories greater than 12" deep cannot be mounted to 24" deep surfaces.
- » Optional Lower Shelf sold separately; see page 3.21.
- » Travel range is measured from floor to bottom of surface.
- » International electrical configuration available; consult factory.
- » Hand control switch (Symbiote standard "J") is field installed. Optional styles available; see page 3.27.

**How to Specify**

**Step 1. Product Number**

- TBETG Glide Base, 18" Travel Range
- TBETC Caster Base, 18" Travel Range

**Step 2. Width**

- 36 36" wide    48 48" wide    60 60" wide
- 72 72" wide    96 96" wide

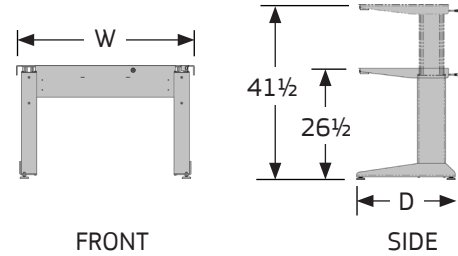
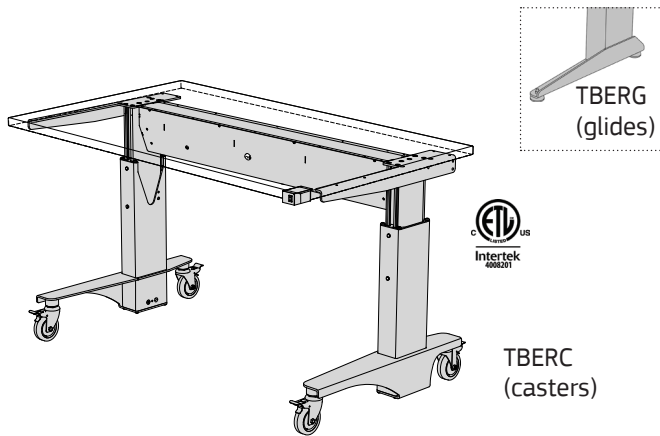
**Step 3. Paint Color Code**

STANDARD

- AS Argent Silver                      GL Grey Light Smooth
- AW Arctic White                      GT Grey Light Texture
- BK Black                                NW Neutral White
- BT Black Texture                      ST Sand Texture

Product Number	Description	Width		Depth		Weight	
		in.	[mm]	in.	[mm]	lb.	[kg]
TBETG36J	Electric, 18" travel, glides, 24" and 30" surfaces	35 1/2	902	23 1/2	597	90	40.8
TBETG48J	Electric, 18" travel, glides, 24" and 30" surfaces	47 1/2	1207	23 1/2	597	93	42.2
TBETG60J	Electric, 18" travel, glides, 24" and 30" surfaces	59 1/2	1511	23 1/2	597	98	44.5
TBETG72J	Electric, 18" travel, glides, 24" and 30" surfaces	71 1/2	1816	23 1/2	597	101	45.8
TBETG96J	Electric, 18" travel, glides, 24" and 30" surfaces	95 1/2	2426	32 1/8	816	108	49.0
TBETC36J	Electric, 18" travel, casters, 24" and 30" surfaces	35 1/2	902	23 1/2	597	133	60.3
TBETC48J	Electric, 18" travel, casters, 24" and 30" surfaces	47 1/2	1207	23 1/2	597	137	62.1
TBETC60J	Electric, 18" travel, casters, 24" and 30" surfaces	59 1/2	1511	23 1/2	597	141	64.0
TBETC72J	Electric, 18" travel, casters, 24" and 30" surfaces	71 1/2	1816	23 1/2	597	144	65.3
TBETC96J	Electric, 18" travel, casters, 24" and 30" surfaces	95 1/2	2426	32 1/8	816	152	68.9

Rev 08/15/24



**TABLE BASE, ELECTRIC, 15" TRAVEL RANGE, 36" D. SURFACE**

- Use with 36" deep surfaces only to construct a height adjustable bench.
- The electrically driven self-guided aluminum assemblies have a 15" travel range from 26½" to 41½" to the underside of the surface, rising at ¼" per second.
- Bases require 120 Volt, 60 Hz. power. A hand control switch and a 9½' power cord are supplied. Amp Draw: 4 Amps.
- Available with leveling glides or 3" polypropylene locking casters.
- Gross dynamic load capacity 750 lbs. evenly distributed.
- Shipped fully assembled. Hand control switch is field installed to surfaces.
- ETL recognized; conforms to UL Std. 962 and certified to CSA Std. C22.2 No. 68.

**NOTES**

- » Surfaces sold separately; see Section 4. The 36" deep surfaces are limited to 24" deep accessories.
- » Optional Lower Shelf sold separately; see page 3.21.
- » Travel range is measured from floor to bottom of surface.
- » International electrical configuration available; consult factory.
- » Hand control switch (Symbiote standard "J") is field installed. Optional styles available; see page 3.27.

**How to Specify**

**Step 1. Product Number**

- TBERG** Glide Base, 15" Travel Range
- TBERC** Caster Base, 15" Travel Range

**Step 2. Depth**

36 36" deep

**Step 3. Width**

36 36" wide    48 48" wide    60 60" wide  
72 72" wide    96 96" wide

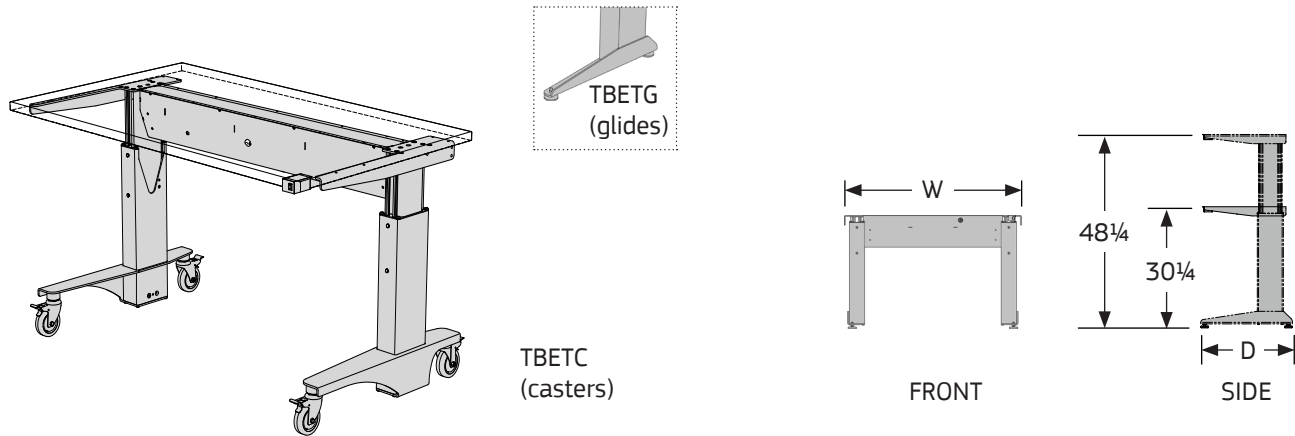
**Step 4. Paint Color Code**

STANDARD

- AS** Argent Silver                      **GL** Grey Light Smooth
- AW** Arctic White                        **GT** Grey Light Texture
- BK** Black                                    **NW** Neutral White
- BT** Black Texture                        **ST** Sand Texture

Product Number	Description	Width		Depth		Weight	
		in.	[mm]	in.	[mm]	lb.	[kg]
TBERG3636J	Electric, 15" travel, glides, 36" D surface	35 ½	902	32 ⅞	816	83	37.6
TBERG3648J	Electric, 15" travel, glides, 36" D surface	47 ½	1207	32 ⅞	816	86	39.0
TBERG3660J	Electric, 15" travel, glides, 36" D surface	59 ½	1511	32 ⅞	816	91	41.3
TBERG3672J	Electric, 15" travel, glides, 36" D surface	71 ½	1816	32 ⅞	816	94	42.6
TBERG3696J	Electric, 15" travel, glides, 36" D surface	95 ½	2426	32 ⅞	816	101	45.8
TBERC3636J	Electric, 15" travel, casters, 36" D surface	35 ½	902	34 ⅞	867	126	57.2
TBERC3648J	Electric, 15" travel, casters, 36" D surface	47 ½	1207	34 ⅞	867	130	59.0
TBERC3660J	Electric, 15" travel, casters, 36" D surface	59 ½	1511	34 ⅞	867	134	60.8
TBERC3672J	Electric, 15" travel, casters, 36" D surface	71 ½	1816	34 ⅞	867	137	62.1
TBERC3696J	Electric, 15" travel, casters, 36" D surface	95 ½	2426	34 ⅞	867	145	65.8

Rev 08/15/24



**TABLE BASE, ELECTRIC, 18" TRAVEL RANGE, 36" D. SURFACE**

- Use with 36" deep surfaces only to construct a height adjustable bench.
- The electrically driven self-guided aluminum assemblies have a 18" travel range from 30 1/4" to 48 1/4" to the underside of the surface, rising at 1/4" per second.
- Bases require 120 Volt, 60 Hz. power. A hand control switch and a 9 1/2' power cord are supplied. Amp Draw: 4 Amps.
- Available with leveling glides or 3" polypropylene locking casters.
- Gross dynamic load capacity 500 lbs. evenly distributed.
- Shipped fully assembled. Hand control switch is field installed to surfaces.
- Uses ETL recognized components.

**NOTES**

- » Surfaces sold separately; see Section 4. The 36" deep surfaces are limited to 24" deep accessories.
- » Optional Lower Shelf sold separately; see page 3.21.
- » Travel range is measured from floor to bottom of surface.
- » International electrical configuration available; consult factory.
- » Hand control switch (Symbiote standard "J") is field installed. Optional styles available; see page 3.27.

**How to Specify**

**Step 1. Product Number**

- TBETG Glide Base, 18" Travel Range
- TBETC Caster Base, 18" Travel Range

**Step 2. Depth**

36 36" deep

**Step 3. Width**

36 36" wide    48 48" wide    60 60" wide  
72 72" wide    96 96" wide

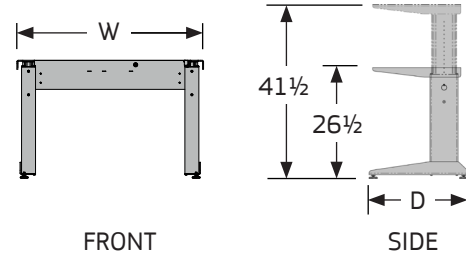
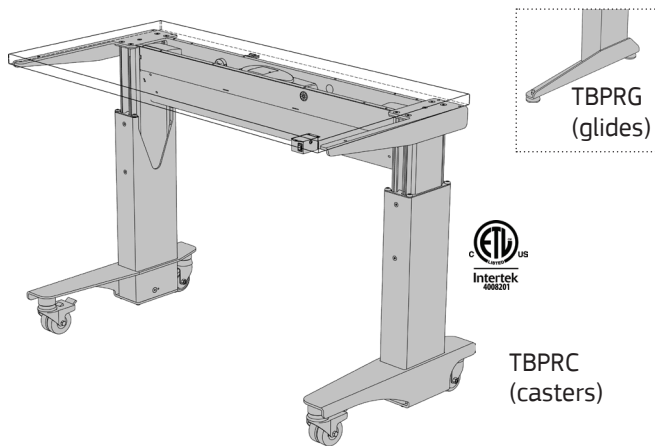
**Step 4. Paint Color Code**

STANDARD

- AS Argent Silver                      GL Grey Light Smooth
- AW Arctic White                        GT Grey Light Texture
- BK Black                                    NW Neutral White
- BT Black Texture                        ST Sand Texture

Product Number	Description	Width		Depth		Weight	
		in.	[mm]	in.	[mm]	lb.	[kg]
TBETG3636J	Electric, 18" travel, glides, 36" D surface	35 1/2	902	32 1/8	816	90	40.8
TBETG3648J	Electric, 18" travel, glides, 36" D surface	47 1/2	1207	32 1/8	816	86	39.0
TBETG3660J	Electric, 18" travel, glides, 36" D surface	59 1/2	1511	32 1/8	816	98	44.5
TBETG3672J	Electric, 18" travel, glides, 36" D surface	71 1/2	1816	32 1/8	816	101	45.8
TBETG3696J	Electric, 18" travel, glides, 36" D surface	95 1/2	2426	32 1/8	816	108	49.0
TBETC3636J	Electric, 18" travel, casters, 36" D surface	35 1/2	902	34 1/8	867	133	60.3
TBETC3648J	Electric, 18" travel, casters, 36" D surface	47 1/2	1207	34 1/8	867	137	62.1
TBETC3660J	Electric, 18" travel, casters, 36" D surface	59 1/2	1511	34 1/8	867	141	64.0
TBETC3672J	Electric, 18" travel, casters, 36" D surface	71 1/2	1816	34 1/8	867	144	65.3
TBETC3696J	Electric, 18" travel, casters, 36" D surface	95 1/2	2426	34 1/8	867	152	68.9

Rev 08/15/24



**TABLE BASE, POSITIONABLE, 15" TRAVEL RANGE**

- Use with 24" and 30" deep surfaces to construct a height adjustable bench.
- The self-guided aluminum assemblies have a 15" travel range from 26½" to 41½" to the underside of the surfaces. Bases adjust in 1" increments with threaded fasteners.
- Available with leveling glides or 3" polypropylene locking casters.
- Load capacity 750 lbs. evenly distributed.
- Shipped fully assembled.
- ETL recognized; conforms to UL Std. 962 and certified to CSA Std. C22.2 No. 68.

**NOTES**

- » Surfaces sold separately; see Section 4.
- » Optional Lower Shelf sold separately; see page 3.21.
- » Travel range is measured from floor to bottom of surface.

**How to Specify**

**Step 1. Product Number**

- TBPRG Glide Base, 15" Travel Range
- TBPRC Caster Base, 15" Travel Range

**Step 2. Width**

- 36 36" wide    48 48" wide    60 60" wide
- 72 72" wide    96 96" wide

**Step 3. Paint Color Code**

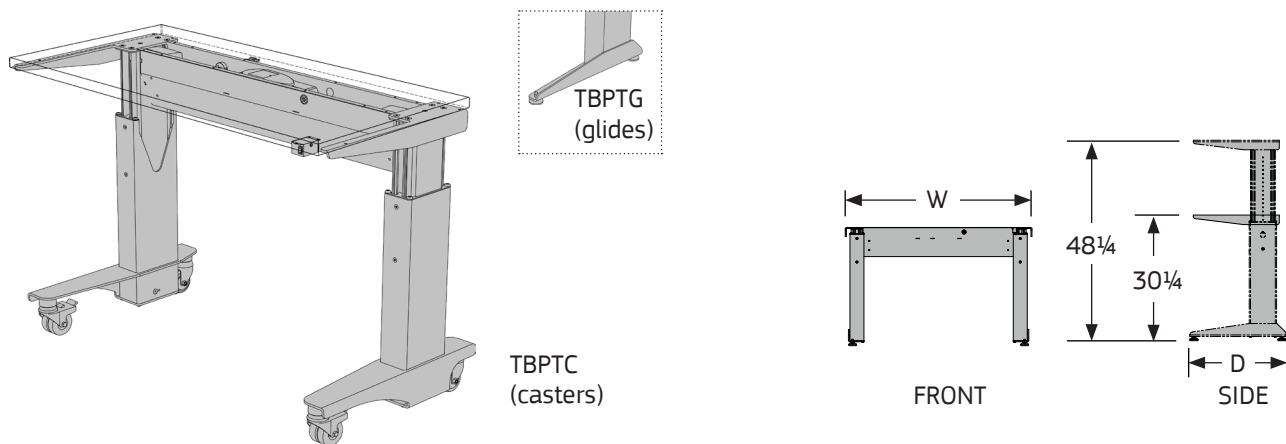
STANDARD

- AS Argent Silver                      GL Grey Light Smooth
- AW Arctic White                        GT Grey Light Texture
- BK Black                                    NW Neutral White
- BT Black Texture                        ST Sand Texture

Product Number	Description	Width		Depth		Weight	
		in.	[mm]	in.	[mm]	lb.	[kg]
TBPRG36W	Positionable, 15" travel, 24" and 30" D. surfaces, glides	35 ½	902	23 ½	597	68	30.8
TBPRG48W	Positionable, 15" travel, 24" and 30" D. surfaces, glides	47 ½	1207	23 ½	597	72	32.7
TBPRG60W	Positionable, 15" travel, 24" and 30" D. surfaces, glides	59 ½	1511	23 ½	597	75	34.0
TBPRG72W	Positionable, 15" travel, 24" and 30" D. surfaces, glides	71 ½	1816	23 ½	597	78	35.4
TBPRG96W	Positionable, 15" travel, 24" and 30" D. surfaces, glides	95 ½	2426	23 ½	597	85	38.6
TBPRC36W	Positionable, 15" travel, 24" and 30" D. surfaces, casters	35 ½	902	23 ½	597	111	50.3
TBPRC48W	Positionable, 15" travel, 24" and 30" D. surfaces, casters	47 ½	1207	23 ½	597	115	52.2
TBPRC60W	Positionable, 15" travel, 24" and 30" D. surfaces, casters	59 ½	1511	23 ½	597	119	54.0
TBPRC72W	Positionable, 15" travel, 24" and 30" D. surfaces, casters	71 ½	1816	23 ½	597	122	55.3
TBPRC96W	Positionable, 15" travel, 24" and 30" D. surfaces, casters	95 ½	2426	23 ½	597	129	58.5

Rev 04/01/19





**TABLE BASE, POSITIONABLE, 18" TRAVEL RANGE**

- Use with 24" and 30" deep surfaces to construct a height adjustable bench.
- The self-guided aluminum assemblies have a 18" travel range from 30 1/4" to 48 1/4" to the underside of the surface. Bases adjust in 1" increments with threaded fasteners.
- Available with leveling glides or 3" polypropylene locking casters.
- Load capacity 500 lbs. evenly distributed.
- Shipped fully assembled.

**NOTES**

- » Surfaces sold separately; see Section 4.
- » Optional Lower Shelf sold separately; see page 3.21.
- » Travel range is measured from floor to bottom of surface.

**How to Specify**

**Step 1. Product Number**

- TBPTG Glide Base, 18" Travel Range
- TBPTC Caster Base, 18" Travel Range

**Step 2. Width**

- 36 36" wide    48 48" wide    60 60" wide
- 72 72" wide    96 96" wide

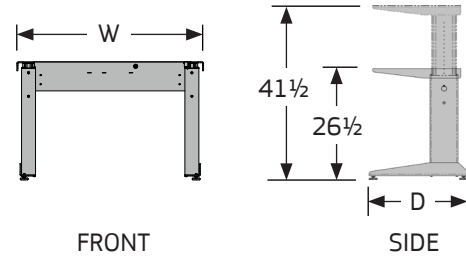
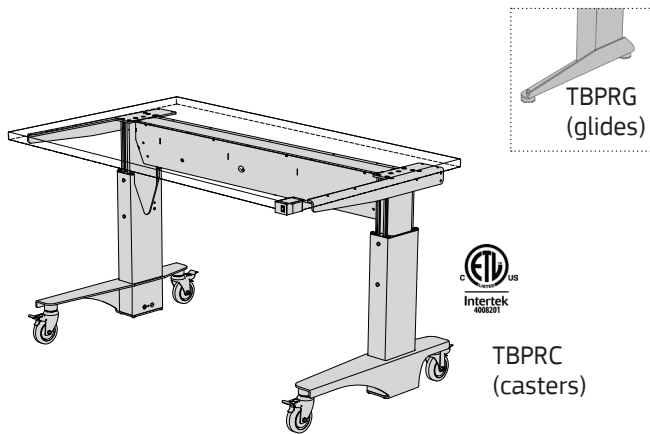
**Step 3. Paint Color Code**

STANDARD

- AS Argent Silver                      GL Grey Light Smooth
- AW Arctic White                      GT Grey Light Texture
- BK Black                                NW Neutral White
- BT Black Texture                      ST Sand Texture

Product Number	Description	Width		Depth		Weight	
		in.	[mm]	in.	[mm]	lb.	[kg]
TBPTG36W	Positionable, 18" travel, 24" and 30" D. surfaces, glides	35 1/2	902	23 1/2	597	75	34.0
TBPTG48W	Positionable, 18" travel, 24" and 30" D. surfaces, glides	47 1/2	1207	23 1/2	597	79	35.8
TBPTG60W	Positionable, 18" travel, 24" and 30" D. surfaces, glides	59 1/2	1511	23 1/2	597	82	37.2
TBPTG72W	Positionable, 18" travel, 24" and 30" D. surfaces, glides	71 1/2	1816	23 1/2	597	85	38.6
TBPTG96W	Positionable, 18" travel, 24" and 30" D. surfaces, glides	95 1/2	2426	23 1/2	597	92	41.7
TBPTC36W	Positionable, 18" travel, 24" and 30" D. surfaces, casters	35 1/2	902	23 1/2	597	118	53.5
TBPTC48W	Positionable, 18" travel, 24" and 30" D. surfaces, casters	47 1/2	1207	23 1/2	597	122	55.3
TBPTC60W	Positionable, 18" travel, 24" and 30" D. surfaces, casters	59 1/2	1511	23 1/2	597	126	57.2
TBPTC72W	Positionable, 18" travel, 24" and 30" D. surfaces, casters	71 1/2	1816	23 1/2	597	129	58.5
TBPTC96W	Positionable, 18" travel, 24" and 30" D. surfaces, casters	95 1/2	2426	23 1/2	597	136	61.7

Rev 04/01/19



**TABLE BASE, POSITIONABLE, 15" TRAVEL RANGE, 36" D. SURFACE**

- Use with a 36" deep surface only to construct a height adjustable bench.
- The self-guided aluminum assemblies have a 15" travel range from 26½" to 41½" to the underside of the surface. Bases adjust in 1" increments with threaded fasteners.
- Available with leveling glides or 3" polypropylene locking casters.
- Load capacity 750 lbs. evenly distributed.
- Shipped fully assembled.
- ETL recognized; conforms to UL Std. 962 and certified to CSA Std. C22.2 No. 68.

**NOTES**

- » Surfaces sold separately; see Section 4.
- » Optional Lower Shelf sold separately; see page 3.21.
- » Travel range is measured from floor to bottom of surface.

**How to Specify**

**Step 1. Product Number**

- TBPRG Glide Base, 15" Travel Range
- TBPRC Caster Base, 15" Travel Range

**Step 2. Depth**

36 36" deep

**Step 3. Width**

36 36" wide    48 48" wide    60 60" wide  
72 72" wide    96 96" wide

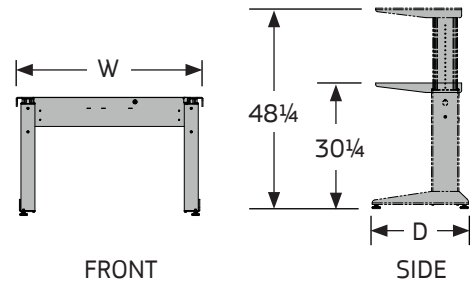
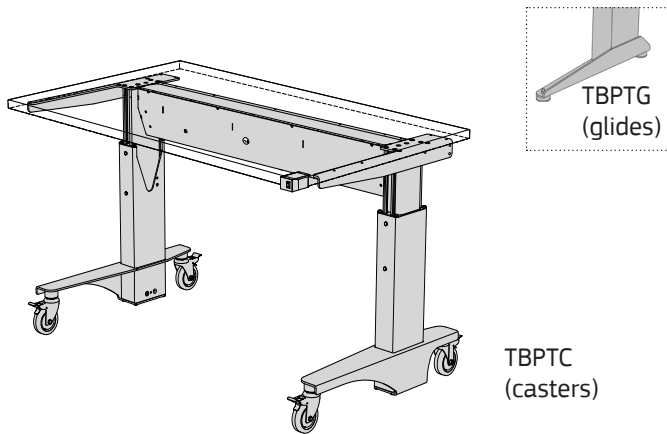
**Step 4. Paint Color Code**

STANDARD

- AS Argent Silver    GL Grey Light Smooth
- AW Arctic White    GT Grey Light Texture
- BK Black    NW Neutral White
- BT Black Texture    ST Sand Texture

Product Number	Description	Width		Depth		Weight	
		in.	[mm]	in.	[mm]	lb.	[kg]
TBPRG3636W	Positionable, 15" travel, 36" D surface, glides	35 ½	902	32 ½	816	68	30.8
TBPRG3648W	Positionable, 15" travel, 36" D surface, glides	47 ½	1207	32 ½	816	72	32.7
TBPRG3660W	Positionable, 15" travel, 36" D surface, glides	59 ½	1511	32 ½	816	75	34.0
TBPRG3672W	Positionable, 15" travel, 36" D surface, glides	71 ½	1816	32 ½	816	78	35.4
TBPRG3696W	Positionable, 15" travel, 36" D surface, glides	95 ½	2426	32 ½	816	85	38.6
TBPRC3636W	Positionable, 15" travel, 36" D surface, casters	35 ½	902	34 ½	867	111	50.3
TBPRC3648W	Positionable, 15" travel, 36" D surface, casters	47 ½	1207	34 ½	867	115	52.2
TBPRC3660W	Positionable, 15" travel, 36" D surface, casters	59 ½	1511	34 ½	867	119	54.0
TBPRC3672W	Positionable, 15" travel, 36" D surface, casters	71 ½	1816	34 ½	867	122	55.3
TBPRC3696W	Positionable, 15" travel, 36" D surface, casters	95 ½	2426	34 ½	867	129	58.5

Rev 04/01/19



**TABLE BASE, POSITIONABLE, 18" TRAVEL RANGE, 36" D. SURFACE**

- Use with a 36" deep surface only to construct a height adjustable bench.
- The self-guided aluminum assemblies have a 18" travel range from 30 1/4" to 48 1/4" to the underside of the surface. Bases adjust in 1" increments with threaded fasteners.
- Available with leveling glides or 3" polypropylene locking casters.
- Load capacity 500 lbs. evenly distributed.
- Shipped fully assembled.

**NOTES**

- » Surfaces sold separately; see Section 4.
- » Optional Lower Shelf sold separately; see page 3.21.
- » Travel range is measured from floor to bottom of surface.

**How to Specify**

**Step 1. Product Number**

- TBPTG Glide Base, 18" Travel Range
- TBPTC Caster Base, 18" Travel Range

**Step 2. Depth**

36 36" deep

**Step 3. Width**

36 36" wide    48 48" wide    60 60" wide  
72 72" wide    96 96" wide

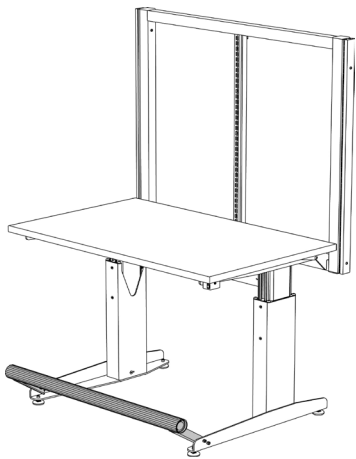
**Step 4. Paint Color Code**

STANDARD

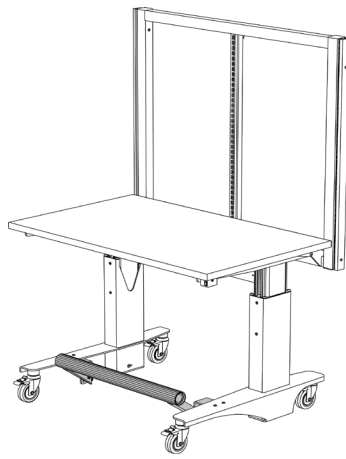
- AS Argent Silver
- AW Arctic White
- BK Black
- BT Black Texture
- GL Grey Light Smooth
- GT Grey Light Texture
- NW Neutral White
- ST Sand Texture

Product Number	Description	Width		Depth		Weight	
		in.	[mm]	in.	[mm]	lb.	[kg]
TBPTG3636W	Positionable, 18" travel, 36" D surface, glides	35 1/2	902	32 1/8	816	75	34.0
TBPTG3648W	Positionable, 18" travel, 36" D surface, glides	47 1/2	1207	32 1/8	816	79	35.8
TBPTG3660W	Positionable, 18" travel, 36" D surface, glides	59 1/2	1511	32 1/8	816	82	37.2
TBPTG3672W	Positionable, 18" travel, 36" D surface, glides	71 1/2	1816	32 1/8	816	85	38.6
TBPTG3696W	Positionable, 18" travel, 36" D surface, glides	95 1/2	2426	32 1/8	816	92	41.7
TBPTC3636W	Positionable, 18" travel, 36" D surface, casters	35 1/2	902	34 1/8	867	118	53.5
TBPTC3648W	Positionable, 18" travel, 36" D surface, casters	47 1/2	1207	34 1/8	867	122	55.3
TBPTC3660W	Positionable, 18" travel, 36" D surface, casters	59 1/2	1511	34 1/8	867	126	57.2
TBPTC3672W	Positionable, 18" travel, 36" D surface, casters	71 1/2	1816	34 1/8	867	129	58.5
TBPTC3696W	Positionable, 18" travel, 36" D surface, casters	95 1/2	2426	34 1/8	867	136	61.7

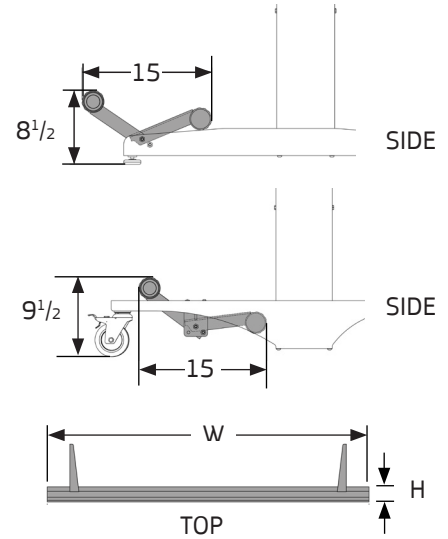
Rev 04/01/19



FRE



FREC



**ERGOSTAT FOOTREST**

- Footrests support legs and feet when sitting or standing.
- Footrests bolt to ErgoStat and WorkTable Bases with glides or casters.
- Aluminum bars manually adjust forward or back to accommodate sitting or standing and include end caps.
- Finish is Black.

**NOTES**

- » Footrests will not attach to UltraFrames, Table Bases or 4-Legged Tables.
- » WorkTable Bases accommodate one ErgoStat Footrest per side.
- » Field drilling of holes in feet is required for installation.

**How to Specify**

**Step 1. Product Number**

- FRE Glide Base
- FREC Caster Base

**Step 2. Width**

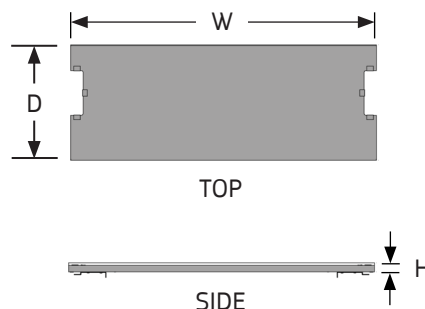
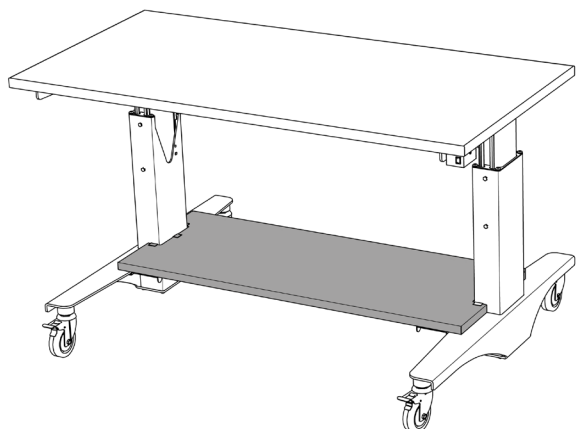
- 36\* 36" wide    48 48" wide    60 60" wide
- 72 72" wide    96 96" wide

**Step 3. Paint Color Code**

- BB Black

Product Number	Description	Width		Height		Weight	
		in.	[mm]	in.	[mm]	lb.	[kg]
FRE36BB	Glide base mount	29 1/2	749	2 1/2	64	4	1.8
FRE48BB	Glide base mount	41 1/2	1054	2 1/2	64	5	2.3
FRE60BB	Glide base mount	53 1/2	1359	2 1/2	64	6	2.7
FRE72BB	Glide base mount	65 1/2	1664	2 1/2	64	8	3.6
FRE96BB	Glide base mount	89 1/2	2273	2 1/2	64	11	5.0
FREC36BB	Caster base mount	17 1/2	444	2 1/2	64	5	2.3
FREC48BB	Caster base mount	29 1/2	749	2 1/2	64	6	2.7
FREC60BB	Caster base mount	41 1/2	1054	2 1/2	64	7	3.2
FREC72BB	Caster base mount	53 1/2	1359	2 1/2	64	9	4.1
FREC96BB	Caster base mount	77 1/2	1969	2 1/2	64	10	4.5

Rev 11/06/12



**LOWER SHELF**

- Lower shelf provides general storage below work surface on Table, WorkTable and ErgoStat bases.
- Mounts on glide or caster bases.
- Works well for storing equipment, reagent supplies or heavy boxes.
- The LES and LTS include two lock-down tabs and a shelf with a ½" raised edge that is positioned in the back.
- The LWS includes four lock-down tabs without a raised edge allowing access from either side.
- No hardware or tools are needed for assembly.
- Load capacity 200 lbs. evenly distributed.

**NOTES**

» Lower Shelf for 4-Legged Table available; see page 3.28.

**How to Specify**

**Step 1. Product Number**

- LTS Table Shelf
- LES ErgoStat Shelf
- LWS WorkTable Shelf

**Step 2. Width**

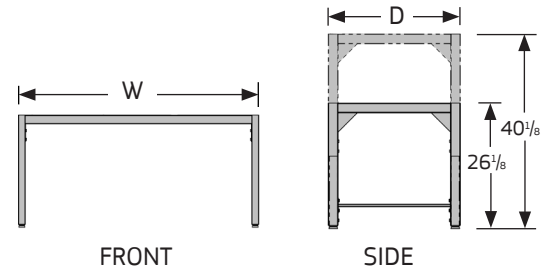
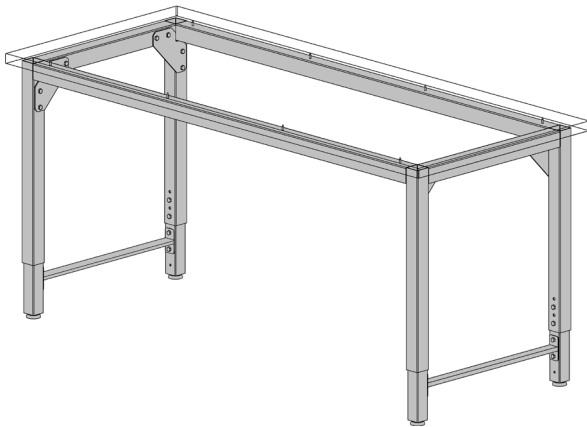
48 48" wide    60\* 60" wide    72 72" wide  
 \*60" width shelf unavailable for WorkTable

**Step 3. Paint Color Code**

- STANDARD
- AS Argent Silver
  - AW Arctic White
  - BK Black
  - BT Black Texture
  - GL Grey Light Smooth
  - GT Grey Light Texture
  - NW Neutral White
  - ST Sand Texture

Product Number	Description	Height		Width		Depth		Weight	
		in.	[mm]	in.	[mm]	in.	[mm]	lb.	[kg]
LTS48	Lower shelf, Table Base	1 ½	38	42	1067	16	406	22	10.0
LTS60	Lower shelf, Table Base	1 ½	38	54	1372	16	406	27	12.2
LTS72	Lower shelf, Table Base	1 ½	38	66	1676	16	406	32	14.5
LES48	Lower shelf, ErgoStat	1 ½	38	36	914	18	457	19	8.6
LES60	Lower shelf, ErgoStat	1 ½	38	48	1219	18	457	24	10.9
LES72	Lower shelf, ErgoStat	1 ½	38	60	1524	18	457	30	13.6
LWS48	Lower shelf, WorkTable	1	25	36	914	24	610	19	8.6
LWS72	Lower shelf, WorkTable	1	25	60	1524	24	610	32	14.5

Rev 08/15/24



**4-LEGGED TABLE, GLIDES**

- Table has leveling glides and a 14" travel range measuring 26 1/8" to 40 1/8" from the floor to the bottom of the work surface. Adjusts in 1" increments with threaded fasteners.
- Heavy-duty welded steel front and back frame construction. Lower side leg cross-bar for added strength and stability.
- Use with Standard Surfaces or Work Surfaces to construct a height adjustable table. Surfaces are not pre-drilled for these bases.
- Lower Shelves and Surface Accessory Brackets available; see below.
- Ships knocked down and is easily assembled with gusset plates.
- Load capacity 1,000 lbs. evenly distributed.

**NOTES**

- » Standard and Work Surfaces sold separately; see section 4. Surfaces are not pre-drilled for these bases.
- » Optional Lower Shelves sold separately; see page 3.28.
- » Optional Surface Accessory Brackets sold separately; see Section 4.
- » Travel range is measured from floor to bottom of surface.
- » Optional Riser Frame available; see page 2.9 in the ErgoStat Pro Catalog.

**How to Specify**

**Step 1. Product Number**

FLPG

**Step 2. Depth**

24 24" deep    30 30" deep    36 36" deep  
42 42" deep    48 48" deep

**Step 3. Width**

36 36" wide    48 48" wide    60 60" wide  
72 72" wide    96 96" wide

**Step 4. Paint Color Code**

STANDARD

AS	Argent Silver	GL	Grey Light Smooth
AW	Arctic White	GT	Grey Light Texture
BK	Black	NW	Neutral White
BT	Black Texture	ST	Sand Texture

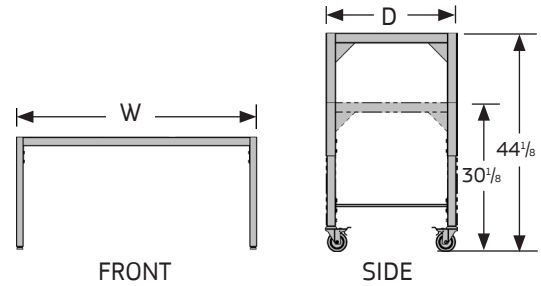
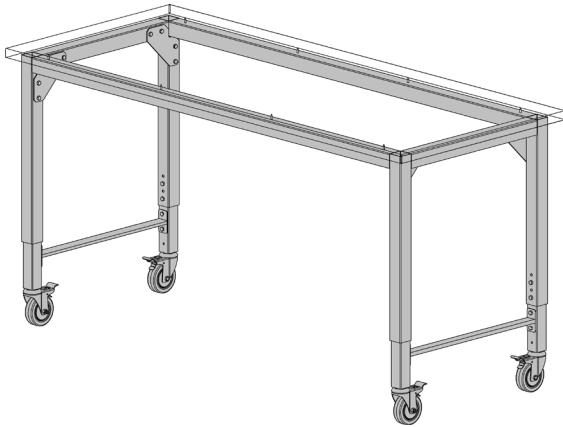
Product Number	Description	Width		Depth		Weight	
		in.	[mm]	in.	[mm]	lb.	[kg]
FLPG2436	Glides	32 3/4	832	20 3/4	527	54	24.5
FLPG2448	Glides	44 3/4	1137	20 3/4	527	59	26.8
FLPG2460	Glides	56 3/4	1441	20 3/4	527	63	28.6
FLPG2472	Glides	68 3/4	1746	20 3/4	527	67	30.4
FLPG2496	Glides	92 3/4	2356	20 3/4	527	75	34.0

cont'd

**4-LEGGED TABLE, GLIDES** (Cont'd)

Product Number	Description	Width		Depth		Weight	
		in.	[mm]	in.	[mm]	lb.	[kg]
FLPG3036	Glides	32 ¾	832	26 ¾	679	56	25.4
FLPG3048	Glides	44 ¾	1137	26 ¾	679	61	27.7
FLPG3060	Glides	56 ¾	1441	26 ¾	679	66	29.9
FLPG3072	Glides	68 ¾	1746	26 ¾	679	70	31.8
FLPG3096	Glides	92 ¾	2356	26 ¾	679	78	35.4
FLPG3636	Glides	32 ¾	832	32 ¾	832	60	27.2
FLPG3648	Glides	44 ¾	1137	32 ¾	832	64	29.0
FLPG3660	Glides	56 ¾	1441	32 ¾	832	68	30.8
FLPG3672	Glides	68 ¾	1746	32 ¾	832	72	32.7
FLPG3696	Glides	92 ¾	2356	32 ¾	832	81	36.7
FLPG4248	Glides	44 ¾	1137	38 ¾	984	68	30.8
FLPG4260	Glides	56 ¾	1441	38 ¾	984	74	33.6
FLPG4272	Glides	68 ¾	1746	38 ¾	984	79	35.8
FLPG4296	Glides	92 ¾	2356	38 ¾	984	84	38.1
FLPG4848	Glides	44 ¾	1137	44 ¾	1137	71	32.2
FLPG4860	Glides	56 ¾	1441	44 ¾	1137	75	34.0
FLPG4872	Glides	68 ¾	1746	44 ¾	1137	81	36.7
FLPG4896	Glides	92 ¾	2356	44 ¾	1137	87	39.5

Rev 08/15/24



**4-LEGGED TABLE, CASTERS**

- Table has a 14" travel range measuring 30<sup>7</sup>/<sub>8</sub>" to 44<sup>1</sup>/<sub>8</sub>" from the floor to the bottom of the work surface. Adjusts in 1" increments with threaded fasteners.
- Heavy-duty welded steel front and back frame construction. Lower side leg cross-bar for added strength and stability.
- Includes 4" polypropylene casters with totalock brakes (simultaneously locks the swivel and wheel).
- Use with Standard or Work Surfaces to construct a height adjustable table. Surfaces are not pre-drilled for these bases.
- Lower Shelves and Surface Accessory Brackets available; see below.
- Ships knocked down and is easily assembled with gusset plates.
- Load capacity 880 lbs. evenly distributed.

**NOTES**

- » Standard and Work Surfaces sold separately; see section 4. Surfaces are not pre-drilled for these bases.
- » Optional Lower Shelves sold separately; see page 3.28.
- » Optional Surface Accessory Brackets sold separately; see Section 4.
- » Travel range is measured from floor to bottom of surface.

**How to Specify**

**Step 1. Product Number**

FLPC

**Step 2. Depth**

24 24" deep    30 30" deep    36 36" deep  
42 42" deep    48 48" deep

**Step 3. Width**

36 36" wide    48 48" wide    60 60" wide  
72 72" wide    96 96" wide

**Step 4. Paint Color Code**

STANDARD

AS Argent Silver    GL Grey Light Smooth  
AW Arctic White    GT Grey Light Texture  
BK Black    NW Neutral White  
BT Black Texture    ST Sand Texture

Product Number	Description	Width		Depth		Weight	
		in.	[mm]	in.	[mm]	lb.	[kg]
FLPC2436	Casters	32 ¾	832	20 ¾	527	61	27.7
FLPC2448	Casters	44 ¾	1137	20 ¾	527	65	29.5
FLPC2460	Casters	56 ¾	1441	20 ¾	527	69	31.3
FLPC2472	Casters	68 ¾	1746	20 ¾	527	73	33.1
FLPC2496	Casters	92 ¾	2356	20 ¾	527	81	36.7

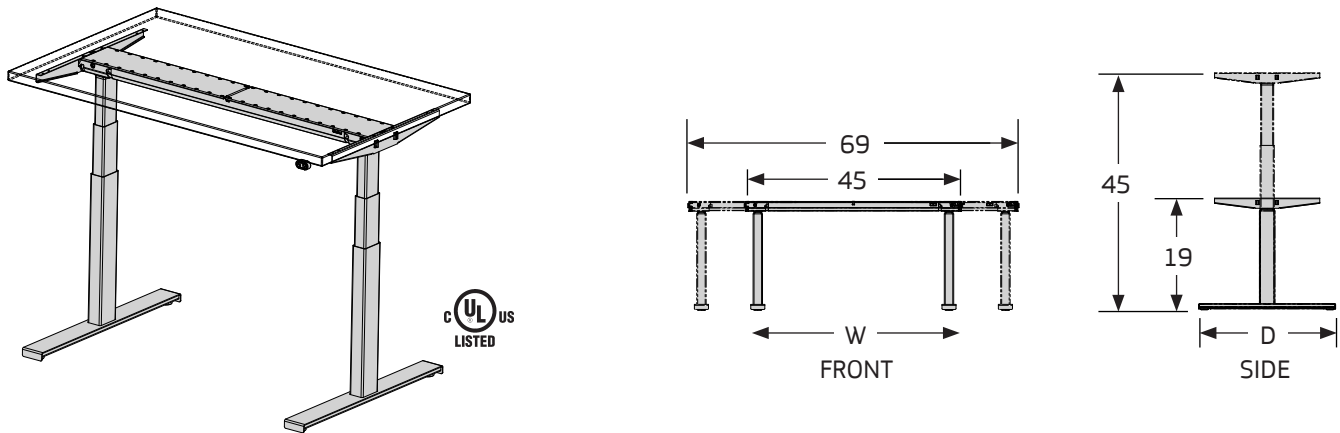
Cont'd



**4-LEGGED TABLE, CASTERS** (Cont'd)

Product Number	Description	Width		Depth		Weight	
		in.	[mm]	in.	[mm]	lb.	[kg]
FLPC3036	Casters	32 ¾	832	26 ¾	679	63	29.0
FLPC3048	Casters	44 ¾	1137	26 ¾	679	67	30.4
FLPC3060	Casters	56 ¾	1441	26 ¾	679	72	32.7
FLPC3072	Casters	68 ¾	1746	26 ¾	679	76	34.5
FLPC3096	Casters	92 ¾	2356	26 ¾	679	84	38.1
FLPC3636	Casters	32 ¾	832	32 ¾	832	66	29.9
FLPC3648	Casters	44 ¾	1137	32 ¾	832	70	31.8
FLPC3660	Casters	56 ¾	1441	32 ¾	832	74	33.6
FLPC3672	Casters	68 ¾	1746	32 ¾	832	78	35.4
FLPC3696	Casters	92 ¾	2356	32 ¾	832	87	39.5
FLPG4248	Casters	44 ¾	1137	38 ¾	984	71	32.2
FLPC4260	Casters	56 ¾	1441	38 ¾	984	78	35.4
FLPC4272	Casters	68 ¾	1746	38 ¾	984	83	37.6
FLPC4296	Casters	92 ¾	2356	38 ¾	984	88	39.9
FLPC4848	Casters	44 ¾	1137	44 ¾	1137	74	33.6
FLPC4860	Casters	56 ¾	1441	44 ¾	1137	79	35.8
FLPC4872	Casters	68 ¾	1746	44 ¾	1137	85	38.6
FLPC4896	Casters	92 ¾	2356	44 ¾	1137	91	41.3

Rev 08/15/24



**SYMPLE TABLE BASE, ELECTRIC, 26" TRAVEL RANGE**

- Use with 24", 30" and 36" deep surfaces to construct a height adjustable table.
- Telescoping, expandable base with 28" D foot fits surface widths from 48" to 96".
- UL Listed Base has a 26" travel range, 19" to 45" measured from the underside of the surface.
- Built-in anti-collision technology.
- Dynamic load capacity of 350 pounds, evenly distributed.
- Base rises 1½" per second with a 5% duty cycle.
- Complies with: IEC/EN 60335-1 part 1. UL962 4th edition, UL2999 1st edition and CSA C22.2 No. 68-18 8th edition.
- Meets: ANSI/BIFMA X5.5: 2014 (up to 72")
- Includes a 9½' power cord and a standard hand control switch.
- Ships knocked down.

**NOTES**

- » Surfaces sold separately; see Section 4.
- » Travel range is measured from floor to bottom of surface.
- » Base does not accommodate battery pack.

**How to Specify**

**Step 1. Product Number**

**SWEG28J** Glide Base, 26" Travel Range

**Step 2. Paint Color Code**

- STANDARD
- AS Argent Silver
- AW Arctic White
- BK Black

Product Number	Description	Width		Depth		Weight	
		in.	[mm]	in.	[mm]	lb.	[kg]
SWEG28J	Electric, 26" travel, glides	45 - 69	1143 - 1753	28	711	55	24.9

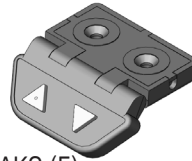
Rev 09/18/24



DPF1C (C)



DP1CS (E)



DPAKO (F)



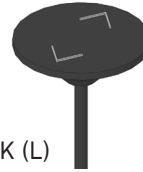
DPBKO (G)



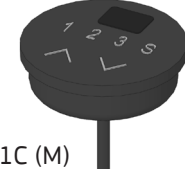
DPF1K (J)



DPF1M (K)



DPH1K (L)



DPT1C (M)



**HAND CONTROL SWITCHES - ELECTRIC BASE**

- Optional hand control switches can replace the Symbiote standard DPF1K (“J” switch) included with electric ErgoStat, Table and WorkTable bases.
- Features include memory settings, digital feedback display and/or various mounting options. UL/CUL (US and Canada) recognized under UL962, File #E320513.
- Finish is Black.

**NOTES**

» Some switches may have an extended lead time.

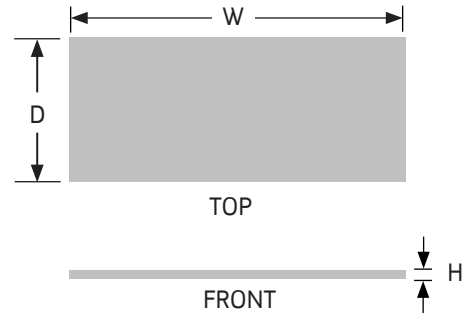
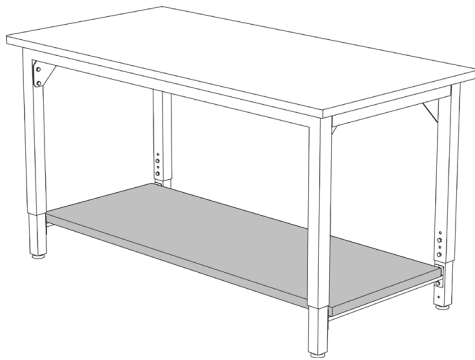
**How to Specify**

**Step 1. Product Number**

DPF1C	C Switch
DP1CS	E Switch
DPAKO	F Switch
DPBKO	G Switch
DPF1K	J Switch, standard (included)
DPF1M	K Switch
DPH1K	L Switch
DPT1C	M Switch

Product Number	Description	Weight	
		lb.	[kg]
DPF1C (C)	Rocker switch, 3-memory settings, digital display, bracket mount	1	0.5
DP1CS (E)	Push-button, 3-memory settings, digital display, box mount	1	0.5
DPAKO (F)	Push-button, hinge mount	1	0.5
DPBKO (G)	Push-button, angled mount	1	0.5
DPF1K (J)	Standard Symbiote switch, push-button, bracket mount (included)	1	0.5
DPF1M (K)	Rocker switch, 3-memory settings, bracket mount	1	0.5
DPH1K (L)	Push-button, flush counterbore surface mount	1	0.5
DPT1C (M)	Touch panel, 3 memory settings, digital display, flush counterbore surface mount	1	0.5

Rev 08/15/24



**LOWER SHELF, 4-LEGGED TABLE**

- A 1¼" high laminate Lower Shelf provides general storage below the surface on glide or caster 4-Legged Table bases.
- Available in full or half depth sizes.
- Load capacity for the half size Lower Shelf is 100 lbs. evenly distributed.
- Load capacity for the full size Lower Shelf is 200 lbs. evenly distributed.
- Lower Shelf attaches to the 4-Legged Table support bars with hook and loop strips.
- Lower Shelves have square corners with matching edge band.

**NOTES**

- » Lower Shelf is not designed to work with Ergostat, WorkTable or Table Bases. See page 3.21 for other lower shelf options.
- » Half size unavailable for 24" deep 4-Legged Tables.

**How to Specify**

**Step 1. Product Number**

- FLSLH Half Depth
- FLSLF Full Depth

**Step 2. Depth**

- 24 24" deep Full Depth only
- 30 30" deep Half and Full Depth
- 36 36" deep Half and Full Depth

**Step 3. Width**

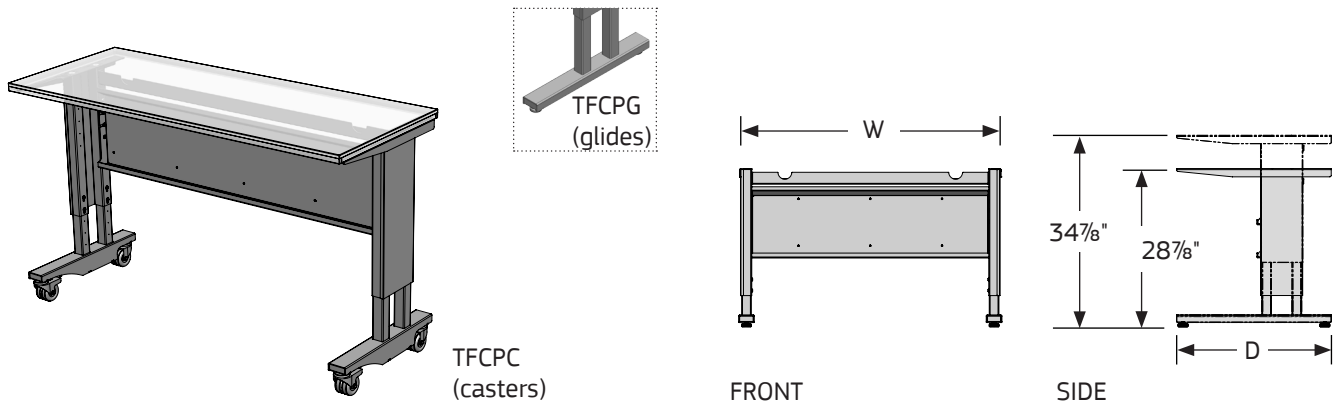
- 48 48" wide    60 60" wide    72 72" wide

**Step 4. Laminate Color Code**

- STANDARD
- BK Black
- GF Grey Fleck
- GL Grey Light Smooth
- NW Neutral White
- SA Sand
- WF White Fleck

Product Number	Description	Height		Width		Depth		Weight	
		in.	[mm]	in.	[mm]	in.	[mm]	lb.	[kg]
FLSLH3048	Lower shelf, half depth	1 ¼	32	44	1118	11	279	19	8.6
FLSLH3060	Lower shelf, half depth	1 ¼	32	56	1422	11	279	23	10.4
FLSLH3072	Lower shelf, half depth	1 ¼	32	68	1727	11	279	27	12.2
FLSLH3648	Lower shelf, half depth	1 ¼	32	44	1118	14	356	23	10.4
FLSLH3660	Lower shelf, half depth	1 ¼	32	56	1422	14	356	29	13.2
FLSLH3672	Lower shelf, half depth	1 ¼	32	68	1727	14	356	36	16.3
FLSLF2448	Lower shelf, full depth	1 ¼	32	44	1118	16	406	26	11.8
FLSLF2460	Lower shelf, full depth	1 ¼	32	56	1422	16	406	34	15.4
FLSLF2472	Lower shelf, full depth	1 ¼	32	68	1727	16	406	40	18.1
FLSLF3048	Lower shelf, full depth	1 ¼	32	44	1118	22	559	38	17.2
FLSLF3060	Lower shelf, full depth	1 ¼	32	56	1422	22	559	46	20.9
FLSLF3072	Lower shelf, full depth	1 ¼	32	68	1727	22	559	54	24.5
FLSLF3648	Lower shelf, full depth	1 ¼	32	44	1118	28	711	46	20.9
FLSLF3660	Lower shelf, full depth	1 ¼	32	56	1422	28	711	58	26.3
FLSLF3672	Lower shelf, full depth	1 ¼	32	68	1727	28	711	72	32.7

Rev 06/20/24



**TETRAD TABLE, C-STYLE**

- Use with 24" and 30" deep worksurfaces.
- Load capacity 880 lbs. evenly distributed.
- Available with leveling glides or 3" polypropylene locking casters on the front and 3" non-locking casters on the back.
- Table is manually adjustable with threaded fasteners and has 6.5" of travel range measuring from 28.875" to 34.875" from the floor to the underside of the worksurface.
- Included integrated Modesty Panel, Hanging Rail (single-sided only) and Cable Tray.

**NOTES**

- » Standard work surfaces sold separately; see section 4.
- » Optional lower shelf sold separately; see page 3.32.
- » Optional Rail Mounted Tote Holder; see page 12.7.

**How to Specify**

**Step 1. Product Number**

- TFCPC Caster Base
- TFCPG Glide Base

**Step 2. Depth**

- 24 24" deep 30 30" deep

**Step 3. Width**

- 36 36" wide 48 48" wide 60 60" wide
- 72 72" wide

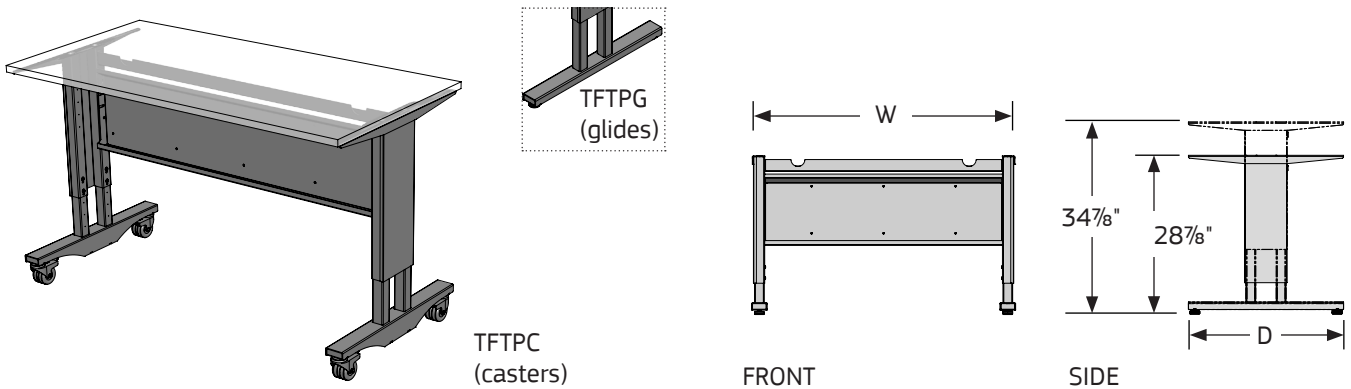
**Step 4. Paint Color Code**

STANDARD

- AS Argent Silver
- AW Arctic White
- BK Black
- BT Black Texture
- GL Grey Light Smooth
- GT Grey Light Texture
- NW Neutral White
- ST Sand Texture

Product Number	Description	Width		Depth		Weight	
		in.	[mm]	in.	[mm]	lb.	[kg]
TFCPC2436	Manually adjustable, 6" travel range, casters	35 7/8	899	24	610	71	32.3
TFCPC2448	Manually adjustable, 6" travel range, casters	47 7/8	1204	24	610	79	35.8
TFCPC2460	Manually adjustable, 6" travel range, casters	59 7/8	1509	24	610	86	39.2
TFCPC2472	Manually adjustable, 6" travel range, casters	71 7/8	1813	24	610	94	42.7
TFCPC3036	Manually adjustable, 6" travel range, casters	35 7/8	899	30	762	77	35.1
TFCPC3048	Manually adjustable, 6" travel range, casters	47 7/8	1204	30	762	85	38.5
TFCPC3060	Manually adjustable, 6" travel range, casters	59 7/8	1509	30	762	92	41.9
TFCPC3072	Manually adjustable, 6" travel range, casters	71 7/8	1813	30	762	100	45.4
TFCPG2436	Manually adjustable, 6" travel range, glides	35 7/8	899	24	610	64	29.2
TFCPG2448	Manually adjustable, 6" travel range, glides	47 7/8	1204	24	610	72	32.6
TFCPG2460	Manually adjustable, 6" travel range, glides	59 7/8	1509	24	610	79	36.0
TFCPG2472	Manually adjustable, 6" travel range, glides	71 7/8	1813	24	610	87	39.5
TFCPG3036	Manually adjustable, 6" travel range, glides	35 7/8	899	30	762	67	30.5
TFCPG3048	Manually adjustable, 6" travel range, glides	47 7/8	1204	30	762	75	34.0
TFCPG3060	Manually adjustable, 6" travel range, glides	59 7/8	1509	30	762	82	37.3
TFCPG3072	Manually adjustable, 6" travel range, glides	71 7/8	1813	30	762	90	40.9

Rev 02/13/25



**TETRAD TABLE, T-STYLE**

- Use with 30" and 36" deep worksurfaces.
- Load capacity 880 lbs. evenly distributed.
- Available with leveling glides or 3" polypropylene locking casters on the front and 3" non-locking casters on the back.
- Table is manually adjustable with threaded fasteners and has 6.5" of travel range measuring from 28.875" to 34.875" from the floor to the underside of the worksurface.
- Integrated Modesty Panel / Hanging Rail and Cable Tray.

**TETRAD TABLE HANGING KIT**

- Allows for back to back Rail Mounted Tote Frame Holder configurations on Tetrad Table, T-Style bases.

**NOTES**

- » Standard work surfaces sold separately; see section 4.
- » Optional lower shelf sold separately; see page 3.32.
- » Optional Rail Mounted Tote Holder; see page 12.7.

**How to Specify**

**Step 1. Product Number**

- TFTPC Caster Base
- TFTPG Glide Base
- TFDHKT Hanging Kit

**Step 2. Depth (TFTPC & TFTPG Only)**

- 30 30" deep 36 36" deep

**Step 3. Width**

- 36 36" wide 48 48" wide 60 60" wide
- 72 72" wide

**Step 4. Paint Color Code**

STANDARD

- AS Argent Silver
- AW Arctic White
- BK Black
- BT Black Texture
- GL Grey Light Smooth
- GT Grey Light Texture
- NW Neutral White
- ST Sand Texture

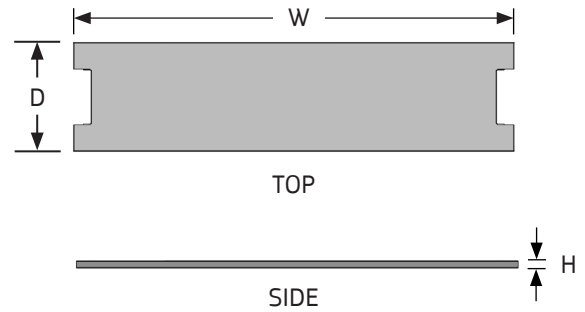
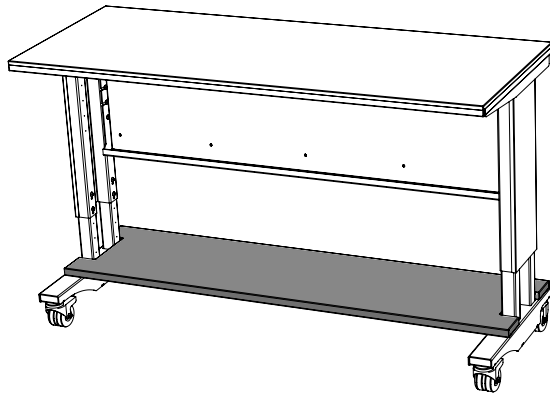
Product Number	Description	Width		Depth		Weight	
		in.	[mm]	in.	[mm]	lb.	[kg]
TFTPC3036	Manually adjustable, 6" travel range, casters	35 7/8	899	30	762	77	35.1
TFTPC3048	Manually adjustable, 6" travel range, casters	47 7/8	1204	30	762	85	38.5
TFTPC3060	Manually adjustable, 6" travel range, casters	59 7/8	1509	30	762	92	41.9
TFTPC3072	Manually adjustable, 6" travel range, casters	71 7/8	1813	30	762	100	45.4
TFTPC3636	Manually adjustable, 6" travel range, casters	35 1/2	900	36	914	79	36.0
TFTPC3648	Manually adjustable, 6" travel range, casters	47 1/2	1205	36	914	87	39.4
TFTPC3660	Manually adjustable, 6" travel range, casters	59 1/2	1509	36	914	94	42.8
TFTPC3672	Manually adjustable, 6" travel range, casters	71 1/2	1814	36	914	102	46.3
TFTPG3036	Manually adjustable, 6" travel range, glides	35 7/8	899	30	762	67	30.5
TFTPG3048	Manually adjustable, 6" travel range, glides	47 7/8	1204	30	762	75	34.0
TFTPG3060	Manually adjustable, 6" travel range, glides	59 7/8	1509	30	762	82	37.3
TFTPG3072	Manually adjustable, 6" travel range, glides	71 7/8	1813	30	762	90	40.9

Cont'd

**TETRAD TABLE, T-STYLE** (Cont'd)

Product Number	Description	Width		Depth		Weight	
		in.	[mm]	in.	[mm]	lb.	[kg]
TFTPG3636	Manually adjustable, 6" travel range, glides	35 ½	900	36	914	69	31.4
TFTPG3648	Manually adjustable, 6" travel range, glides	47 ½	1205	36	914	77	34.9
TFTPG3660	Manually adjustable, 6" travel range, glides	59 ½	1509	36	914	84	38.3
TFTPG3672	Manually adjustable, 6" travel range, glides	71 ½	1814	36	914	92	41.8
TFDHKT36	Hanging Kit	29 ¾	752	2.5	64	5	2.3
TFDHKT48	Hanging Kit	41 ¾	1056	2.5	64	7	3.3
TFDHKT60	Hanging Kit	53 ¾	1361	2.5	64	9	4.2
TFDHKT72	Hanging Kit	65 ¾	1666	2.5	64	11	5.1

Rev 02/13/25



**TETRAD TABLE LOWER SHELF**

- Lower shelf provides general storage below the Tetrad Table work surface.
- Mounts on both Tetrad T-Style and C-Style, glide and caster base options.
- Works well for storing equipment, reagent supplies or heavy boxes.
- No hardware or tools are required for assembly.
- Load capacity 200 lbs. evenly distributed.

**How to Specify**

**Step 1. Product Number**

TFLSM15 Lower Shelf, 15" deep

**Step 2. Width**

36 36" wide    48 48" wide    60 60" wide  
72 72" wide

**Step 3. Paint Color Code**

STANDARD

- |    |               |    |                    |
|----|---------------|----|--------------------|
| AS | Argent Silver | GL | Grey Light Smooth  |
| AW | Arctic White  | GT | Grey Light Texture |
| BK | Black         | NW | Neutral White      |
| BT | Black Texture | ST | Sand Texture       |

Product Number	Description	Height		Width		Depth		Weight	
		in.	[mm]	in.	[mm]	in.	[mm]	lb.	[kg]
TFLSM1536	Lower Shelf, Tetrad Table	1	25	35 ½	898	15	381	12	5.3
TFLSM1548	Lower Shelf, Tetrad Table	1	25	47 ½	1203	15	381	19	8.8
TFLSM1560	Lower Shelf, Tetrad Table	1	25	59 ½	1508	15	381	24	11.0
TFLSM1572	Lower Shelf, Tetrad Table	1	25	71 ½	1813	15	381	29	13.2

Rev 02/13/25