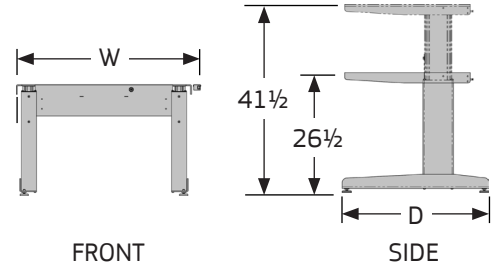
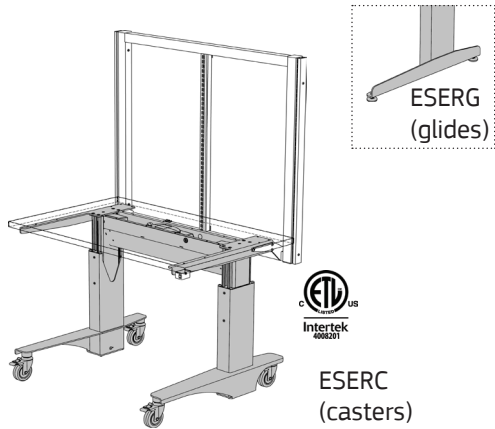


## TABLES

|   |      |
|---|------|
| ErgoStat Base, Electric, 15" Travel Range .....                 | 3.2  |
| ErgoStat Base, Electric, 18" Travel Range .....                 | 3.3  |
| ErgoStat Base, Positionable, 15" Travel Range.....              | 3.4  |
| ErgoStat Base, Positionable, 18" Travel Range.....              | 3.5  |
| ErgoStat Riser Frame .....                                      | 3.6  |
| ErgoStat Riser Spine + End Cover .....                          | 3.7  |
| WorkTable Base, Electric, 15" Travel Range.....                 | 3.8  |
| WorkTable Base, Electric, 18" Travel Range.....                 | 3.9  |
| WorkTable Base, Positionable, 15" Travel Range .....            | 3.10 |
| WorkTable Base, Positionable, 18" Travel Range .....            | 3.11 |
| Table Base, Electric, 15" Travel Range .....                    | 3.12 |
| Table Base, Electric, 18" Travel Range .....                    | 3.13 |
| Table Base, Electric, 15" Travel Range, 36" D. Surface .....    | 3.14 |
| Table Base, Electric, 18" Travel Range, 36" D. Surface .....    | 3.15 |
| Table Base, Positionable, 15" Travel Range.....                 | 3.16 |
| Table Base, Positionable, 18" Travel Range.....                 | 3.17 |
| Table Base, Positionable, 15" Travel Range, 36" D. Surface..... | 3.18 |
| Table Base, Positionable, 18" Travel Range, 36" D. Surface..... | 3.19 |
| ErgoStat Footrest.....  | 3.20 |
| Lower Shelf.....  | 3.21 |
| 4-Legged Table, Glides .....                                    | 3.22 |
| 4-Legged Table, Casters.....                                    | 3.24 |
| Symple Table Base, Electric, 26" Travel Range.....              | 3.26 |
| Hand Control Switches - Electric Base.....                      | 3.27 |
| Lower Shelf, 4-Legged Table .....                               | 3.28 |





**ERGOSTAT BASE, ELECTRIC, 15" TRAVEL RANGE**

- Use with a 30" or 36" D surface to construct a height adjustable bench.
- Optional attachable Riser Frame bolts to base to provide upright support for hanging components.
- The electrically driven self-guided aluminum assemblies have a 15" travel range from 26½" to 41½" to the underside of the surface, rising at ¼" per second.
- Bases require 120 Volt, 60 Hz. power. A hand control switch and a 9½' power cord are supplied. Amp draw: 4 Amps.
- Available with leveling glides or 4" polypropylene casters with totalock brakes (simultaneously locks the swivel and wheel).
- Dissipative bases include two Ground Chains.
- Gross dynamic load capacity 750 lbs. evenly distributed.
- Shipped fully assembled. Hand control switch is field installed.
- ETL recognized; conforms to UL Std. 962 and certified to CSA Std. C22.2 No. 68.

**NOTES**

- » Surfaces sold separately; see Section 4.0. Bases will not accommodate 24" deep surfaces.
- » ErgoStat Riser Frame sold separately; see page 3.6.
- » Optional Footrest and Lower Shelf sold separately; see pages 3.20 - 3.21.
- » Travel range is measured from floor to bottom of surface.
- » International electrical configuration available; consult factory.
- » Hand control switch (Symbiote standard "J") is field installed. Optional styles available; see page 3.27.

**How to Specify**

**Step 1. Product Number**

- ESERG Glide Base, 15" Travel Range
- ESERC Caster Base, 15" Travel Range

**Step 2. Width**

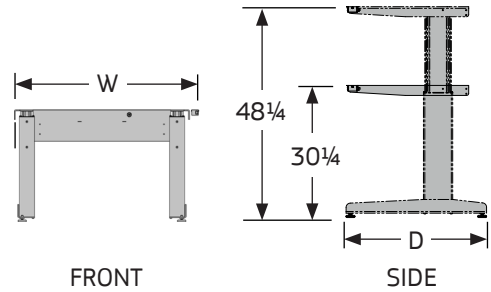
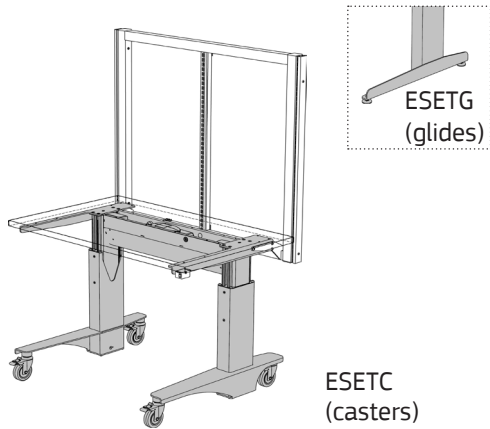
- 36 36" wide    48 48" wide    60 60" wide
- 72 72" wide    96 96" wide

**Step 3. Paint Color Code**

- STANDARD
- AS Argent Silver                      GL Grey Light Smooth
  - AW Arctic White                      GT Grey Light Texture
  - BK Black                                NW Neutral White
  - BT Black Texture                      ST Sand Texture

| Product Number | Description                         | Width |      | Depth |      | Weight |      |
|----------------|-------------------------------------|-------|------|-------|------|--------|------|
|                |                                     | in.   | [mm] | in.   | [mm] | lb.    | [kg] |
| ESERG36J       | Electric, 15" travel range, glides  | 30    | 762  | 32 ½  | 816  | 83     | 37.6 |
| ESERG48J       | Electric, 15" travel range, glides  | 42    | 1067 | 32 ½  | 816  | 86     | 39.0 |
| ESERG60J       | Electric, 15" travel range, glides  | 54    | 1372 | 32 ½  | 816  | 90     | 40.8 |
| ESERG72J       | Electric, 15" travel range, glides  | 66    | 1676 | 32 ½  | 816  | 94     | 42.6 |
| ESERG96J       | Electric, 15" travel range, glides  | 90    | 2286 | 32 ½  | 816  | 101    | 45.8 |
| ESERC36J       | Electric, 15" travel range, casters | 30    | 762  | 34 ½  | 867  | 126    | 57.2 |
| ESERC48J       | Electric, 15" travel range, casters | 42    | 1067 | 34 ½  | 867  | 130    | 59.0 |
| ESERC60J       | Electric, 15" travel range, casters | 54    | 1372 | 34 ½  | 867  | 133    | 60.3 |
| ESERC72J       | Electric, 15" travel range, casters | 66    | 1676 | 34 ½  | 867  | 137    | 62.1 |
| ESERC96J       | Electric, 15" travel range, casters | 90    | 2286 | 34 ½  | 867  | 144    | 65.3 |

Rev 08/15/24



**ERGOSTAT BASE, ELECTRIC, 18" TRAVEL RANGE**

- Use with a 30" or 36" deep surface to construct a height adjustable bench.
- Optional attachable Riser Frame bolts to base to provide upright support for hanging components. Sold separately; see page 3.6.
- The electrically driven self-guided aluminum assemblies have a 18" travel range from 30 1/4" to 48 1/4" to the underside of the surface, rising at 1/4" per second.
- Bases require 120 Volt, 60 Hz. power. A hand control switch and a 9 1/2' power cord are supplied. Amp draw: 4 Amps.
- Available with leveling glides or 4" polypropylene casters with totalock brakes (simultaneously locks the swivel and wheel).
- Gross dynamic load capacity 500 lbs. evenly distributed.
- Shipped fully assembled. Hand control switch is field installed.
- Uses ETL recognized components.

**NOTES**

- » Surfaces sold separately; see Section 4.0. Bases will not accommodate 24" deep surfaces.
- » ErgoStat Riser Frame sold separately; see page 3.6.
- » Optional Footrest and Lower Shelf sold separately; see pages 3.20 - 3.21.
- » Travel range is measured from floor to bottom of surface.
- » International electrical configuration available; consult factory.
- » Hand control switch (Symbiote standard "J") is field installed. Optional styles available; see page 3.27.

**How to Specify**

**Step 1. Product Number**

- ESETG Glide Base, 18" Travel Range
- ESETC Caster Base, 18" Travel Range

**Step 2. Width**

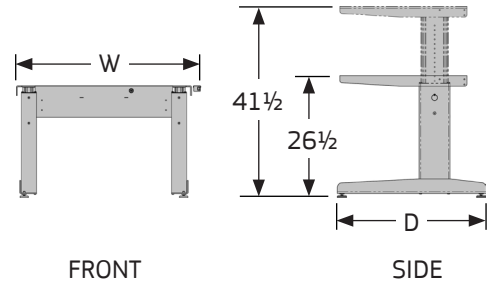
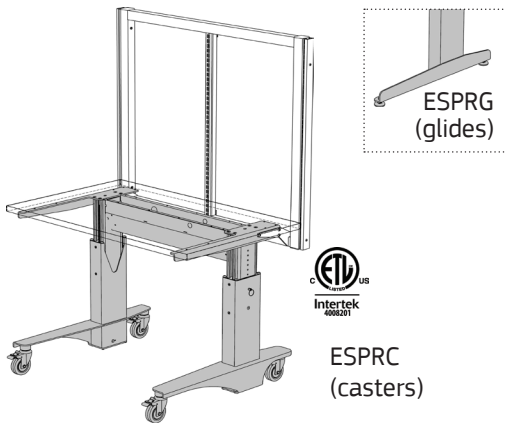
- 36 36" wide    48 48" wide    60 60" wide
- 72 72" wide    96 96" wide

**Step 3. Paint Color Code**

- STANDARD
- AS Argent Silver                      GL Grey Light Smooth
  - AW Arctic White                        GT Grey Light Texture
  - BK Black                                 NW Neutral White
  - BT Black Texture                        ST Sand Texture

| Product Number | Description                         | Width |      | Depth  |      | Weight |      |
|----------------|-------------------------------------|-------|------|--------|------|--------|------|
|                |                                     | in.   | [mm] | in.    | [mm] | lb.    | [kg] |
| ESETG36J       | Electric, 18" travel range, glides  | 30    | 762  | 32 1/8 | 816  | 90     | 40.8 |
| ESETG48J       | Electric, 18" travel range, glides  | 42    | 1067 | 32 1/8 | 816  | 93     | 42.2 |
| ESETG60J       | Electric, 18" travel range, glides  | 54    | 1372 | 32 1/8 | 816  | 97     | 44.0 |
| ESETG72J       | Electric, 18" travel range, glides  | 66    | 1676 | 32 1/8 | 816  | 101    | 45.8 |
| ESETG96J       | Electric, 18" travel range, glides  | 90    | 2286 | 32 1/8 | 816  | 108    | 49.0 |
| ESETC36J       | Electric, 18" travel range, casters | 30    | 762  | 34 1/8 | 867  | 133    | 60.3 |
| ESETC48J       | Electric, 18" travel range, casters | 42    | 1067 | 34 1/8 | 867  | 137    | 62.1 |
| ESETC60J       | Electric, 18" travel range, casters | 54    | 1372 | 34 1/8 | 867  | 140    | 63.5 |
| ESETC72J       | Electric, 18" travel range, casters | 66    | 1676 | 34 1/8 | 867  | 144    | 65.3 |
| ESETC96J       | Electric, 18" travel range, casters | 90    | 2286 | 34 1/8 | 867  | 151    | 68.5 |

Rev 08/15/24



**ERGOSTAT BASE, POSITIONABLE, 15" TRAVEL RANGE**

- Use with a 30" or 36" deep surface to construct a height adjustable bench.
- Optional attachable Riser Frame bolts to base to provide upright support for hanging components.
- The self-guided aluminum assemblies have a 15" travel range from 26½" to 41½" to the underside of the surface. Bases adjust in 1" increments with threaded fasteners.
- Available with leveling glides or 4" polypropylene casters with totalock brakes (simultaneously locks the swivel and wheel).
- Dissipative bases each include two Ground Chains.
- Load capacity 750 lbs. evenly distributed.
- Shipped fully assembled.
- ETL recognized; conforms to UL Std. 962 and certified to CSA Std. C22.2 No. 68.

**NOTES**

- » Surfaces sold separately; see Section 4.0. Bases will not accommodate 24" deep surfaces.
- » ErgoStat Riser Frame sold separately; see page 3.6.
- » Optional Footrest and Lower Shelf sold separately; see pages 3.20 - 3.21.
- » Travel range is measured from floor to bottom of surface.

**How to Specify**

**Step 1. Product Number**

- ESPRG Glide Base, 15" Travel Range
- ESPRC Caster Base, 15" Travel Range

**Step 2. Width**

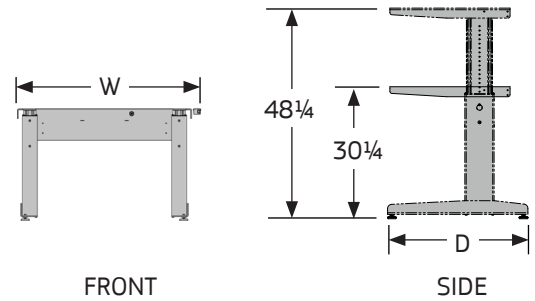
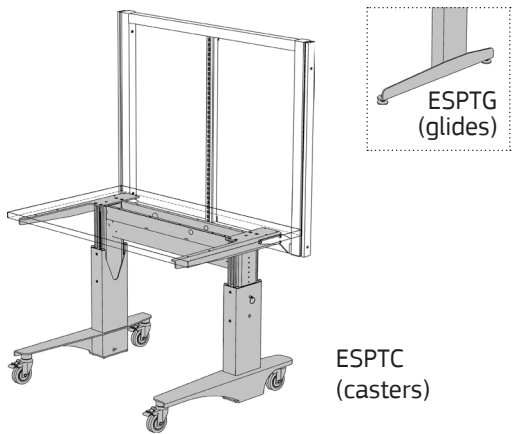
- 36 36" wide    48 48" wide    60 60" wide
- 72 72" wide    96 96" wide

**Step 3. Paint Color Code**

- STANDARD
- AS Argent Silver                      GL Grey Light Smooth
  - AW Arctic White                      GT Grey Light Texture
  - BK Black                                NW Neutral White
  - BT Black Texture                      ST Sand Texture

| Product Number | Description                             | Width |      | Depth |      | Weight |      |
|----------------|---|-------|------|-------|------|--------|------|
|                |   | in.   | [mm] | in.   | [mm] | lb.    | [kg] |
| ESPRG36W       | Positionable, 15" travel range, glides  | 30    | 762  | 32 ½  | 816  | 68     | 30.8 |
| ESPRG48W       | Positionable, 15" travel range, glides  | 42    | 1067 | 32 ½  | 816  | 71     | 32.2 |
| ESPRG60W       | Positionable, 15" travel range, glides  | 54    | 1372 | 32 ½  | 816  | 75     | 34.0 |
| ESPRG72W       | Positionable, 15" travel range, glides  | 66    | 1676 | 32 ½  | 816  | 78     | 35.4 |
| ESPRG96W       | Positionable, 15" travel range, glides  | 90    | 2286 | 32 ½  | 816  | 85     | 38.6 |
| ESPRC36W       | Positionable, 15" travel range, casters | 30    | 762  | 34 ½  | 867  | 111    | 50.3 |
| ESPRC48W       | Positionable, 15" travel range, casters | 42    | 1067 | 34 ½  | 867  | 115    | 52.2 |
| ESPRC60W       | Positionable, 15" travel range, casters | 54    | 1372 | 34 ½  | 867  | 119    | 54.0 |
| ESPRC72W       | Positionable, 15" travel range, casters | 66    | 1676 | 34 ½  | 867  | 122    | 55.3 |
| ESPRC96W       | Positionable, 15" travel range, casters | 90    | 2286 | 34 ½  | 867  | 129    | 58.5 |

Rev 04/01/19



**ERGOSTAT BASE, POSITIONABLE, 18" TRAVEL RANGE**

- Use with a 30" or 36" deep surface to construct a height adjustable bench.
- Optional attachable Riser Frame bolts to base to provide upright support for hanging components.
- The self-guided aluminum assemblies have a 18" travel range from from 30 1/4" to 48 1/4" to the underside of the surface. Bases adjust in 1" increments with pin-adjustable fasteners.
- Available with leveling glides or 4" polypropylene casters with totalock brakes (simultaneously locks the swivel and wheel).
- Load capacity 500 lbs. evenly distributed.
- Shipped fully assembled.

**NOTES**

- » Surfaces sold separately; see Section 4.0. Bases will not accommodate 24" deep surfaces.
- » ErgoStat Riser Frame sold separately; see page 3.6.
- » Optional Footrest and Lower Shelf sold separately; see pages 3.20 - 3.21.
- » Travel range is measured from floor to bottom of surface.

**How to Specify**

**Step 1. Product Number**

- ESPTG Glide Base, 18" Travel Range
- ESPTC Caster Base, 18" Travel Range

**Step 2. Width**

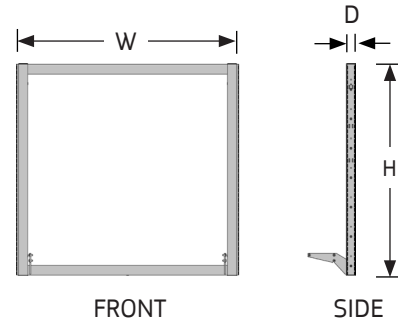
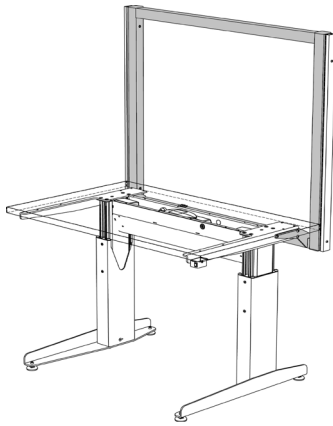
- 36 36" wide 48 48" wide 60 60" wide
- 72 72" wide 96 96" wide

**Step 3. Paint Color Code**

- STANDARD
- AS Argent Silver
  - AW Arctic White
  - BK Black
  - BT Black Texture
  - GL Grey Light Smooth
  - GT Grey Light Texture
  - NW Neutral White
  - ST Sand Texture

| Product Number | Description                             | Width |      | Depth  |      | Weight |      |
|----------------|---|-------|------|--------|------|--------|------|
|                |   | in.   | [mm] | in.    | [mm] | lb.    | [kg] |
| ESPTG36W       | Positionable, 18" travel range, glides  | 30    | 762  | 32 1/8 | 816  | 75     | 34.0 |
| ESPTG48W       | Positionable, 18" travel range, glides  | 42    | 1067 | 32 1/8 | 816  | 77     | 34.9 |
| ESPTG60W       | Positionable, 18" travel range, glides  | 54    | 1372 | 32 1/8 | 816  | 82     | 37.2 |
| ESPTG72W       | Positionable, 18" travel range, glides  | 66    | 1676 | 32 1/8 | 816  | 85     | 38.6 |
| ESPTG96W       | Positionable, 18" travel range, glides  | 90    | 2286 | 32 1/8 | 816  | 92     | 41.7 |
| ESPTC36W       | Positionable, 18" travel range, casters | 30    | 762  | 34 1/8 | 867  | 118    | 53.5 |
| ESPTC48W       | Positionable, 18" travel range, casters | 42    | 1067 | 34 1/8 | 867  | 122    | 55.3 |
| ESPTC60W       | Positionable, 18" travel range, casters | 54    | 1372 | 34 1/8 | 867  | 126    | 57.2 |
| ESPTC72W       | Positionable, 18" travel range, casters | 66    | 1676 | 34 1/8 | 867  | 129    | 58.5 |
| ESPTC96W       | Positionable, 18" travel range, casters | 90    | 2286 | 34 1/8 | 867  | 136    | 61.7 |

Rev 04/01/19



**ERGOSTAT RISER FRAME**

- Open style frame provides upright support for hanging components.
- Frame bolts to ErgoStat Base, adjusting in height with the base.
- Frame permits vertical adjustment of components in 1" increments and provides one attachment point for ESD grounding hardware per unit.
- Equipped with attachment points for Riser Spines; 36" wide Riser Frame excluded.
- Frame features ¼"-20 threaded inserts for vertical inside mounting of Cable Ducts Frame Mount, Cable Ring Ducts and Plug Strips. Riser Frames accommodate a 36" component per side.
- Load capacity 250 lbs.

**NOTES**

- » Riser Spines sold separately; see page 3.7.
- » Riser Frames extend 38½" above surfaces.
- » End Covers finish exposed hardware. Sold separately; see page 3.7.
- » Do not hang components from the unsupported side of a frame or panel.

**How to Specify**

**Step 1. Product Number**

RF43

**Step 2. Width**

36 36" wide    48 48" wide    60 60" wide  
72 72" wide    96 96" wide

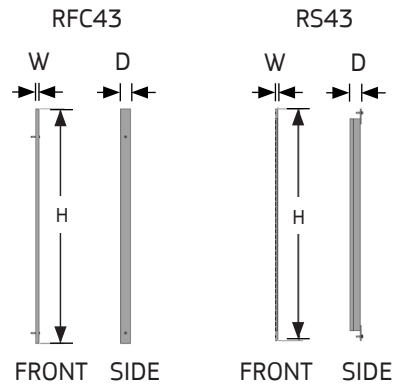
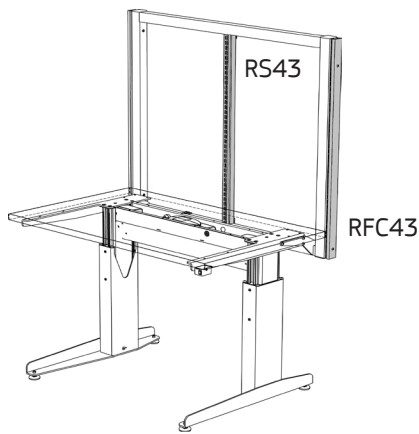
**Step 3. Paint Color Code**

STANDARD

|    |               |    |                    |
|----|---------------|----|--------------------|
| AS | Argent Silver | GL | Grey Light Smooth  |
| AW | Arctic White  | GT | Grey Light Texture |
| BK | Black         | NW | Neutral White      |
| BT | Black Texture | ST | Sand Texture       |

| Product Number | Description | Height |      | Width |      | Depth |      | Weight |      |
|----------------|-------------|--------|------|-------|------|-------|------|--------|------|
|                |             | in.    | [mm] | in.   | [mm] | in.   | [mm] | lb.    | [kg] |
| RF4336         | Riser frame | 43     | 1092 | 36    | 914  | 2     | 51   | 41     | 18.6 |
| RF4348         | Riser frame | 43     | 1092 | 48    | 1219 | 2     | 51   | 50     | 22.7 |
| RF4360         | Riser frame | 43     | 1092 | 60    | 1524 | 2     | 51   | 59     | 26.8 |
| RF4372         | Riser frame | 43     | 1092 | 72    | 1829 | 2     | 51   | 68     | 30.8 |
| RF4396         | Riser frame | 43     | 1092 | 96    | 2438 | 2     | 51   | 86     | 39.0 |

Rev 04/01/19



### ERGOSTAT RISER SPINE + END COVER

#### Riser Spines

- Riser Spines divide ErgoStat Riser Frames into smaller sections and provide upright support for hanging components.
- Spines permit vertical adjustment of components in 1" increments and bolt to attachment points on Riser Frames.
- Riser Spines provide hanger frames on the front only; spines cannot be used for mounting Center Shelves or saddle-mounted arms.
- Finish is Black.

#### Riser Frame End Covers

- Metal covers finish exposed hardware on the ends of Riser Frames.
- Sold individually.
- Finish must be specified.

#### NOTES

- » Riser Frame sold separately; see page 3.6.
- » Riser Spines allowed:
  - 48" - 1
  - 60" - 1 (30-30 or 24-36 split)
  - 72" - up to 2
  - 96" - up to 3

### How to Specify

#### Step 1. Product Number

RFC43 End Cover  
RS43 Spine

#### Step 2. Paint Color Code (End Cover only)

##### STANDARD

|    |               |    |                    |
|----|---------------|----|--------------------|
| AS | Argent Silver | GL | Grey Light Smooth  |
| AW | Arctic White  | GT | Grey Light Texture |
| BK | Black         | NW | Neutral White      |
| BT | Black Texture | ST | Sand Texture       |

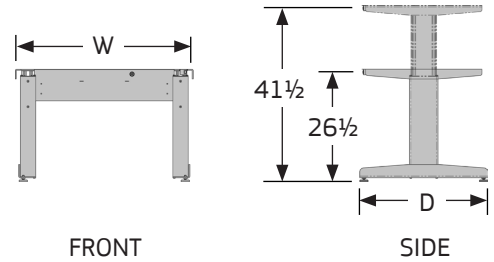
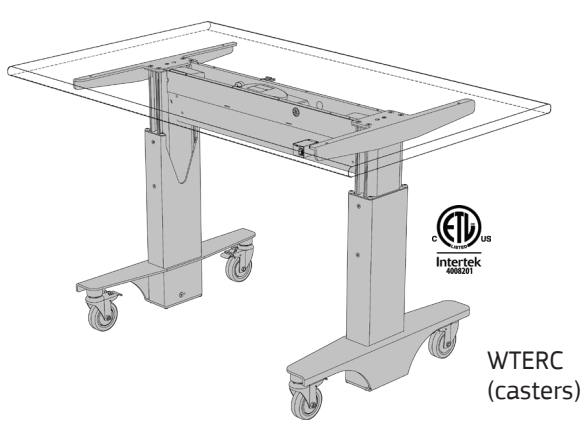
#### Step 3. Paint Color Code (Riser Spine only)

BK Black

| Product Number | Description           | Height |      | Width |      | Depth |      | Weight |      |
|----------------|-----------------------|--------|------|-------|------|-------|------|--------|------|
|                |                       | in.    | [mm] | in.   | [mm] | in.   | [mm] | lb.    | [kg] |
| RS43BK         | Riser frame spine     | 43     | 1092 | 1 1/4 | 32   | 2     | 51   | 5      | 2.3  |
| RFC43          | Riser frame end cover | 43     | 1092 | 1/2   | 13   | 2     | 51   | 1      | 0.5  |

Rev 04/01/19





**WORKTABLE BASE, ELECTRIC, 15" TRAVEL RANGE**

- Use exclusively with Work Surfaces to construct two-sided height adjustable tables.
- 48" wide bases accommodate 48", 60" and 72" wide tops.
- 72" wide bases accommodate 72" and 96" wide tops.
- The electrically driven self-guided aluminum assemblies have a 15" travel range from 26½" to 41½" to the underside of the surfaces, rising at ¼" per second.
- Bases require 120 Volt, 60 Hz. power. A hand control switch and a 9½' power cord are supplied. Amp draw: 4 Amps.
- Available with leveling glides or 4" polypropylene casters with totalock brakes (simultaneously locks the swivel and wheel).
- Dissipative bases each include two Ground Chains.
- Gross dynamic load capacity 750 lbs. evenly distributed.
- Shipped fully assembled. Hand control switch is field installed to surfaces.
- ETL recognized; conforms to UL Std. 962 and certified to CSA Std. C22.2 No. 68.

**NOTES**

- » Work Surfaces sold separately; see Section 4.
- » Optional Lower Shelf sold separately; see page 3.21.
- » Travel range is measured from floor to bottom of surface.
- » International electrical configuration available; consult factory.
- » Hand control switch (Symbiote standard "J") is field installed. Optional styles available; see page 3.27.

**How to Specify**

**Step 1. Product Number**

- WTERG Glide Base, 15" Travel Range
- WTERC Caster Base, 15" Travel Range

**Step 2. Depth**

- 30 30" deep 36 36" deep

**Step 3. Width**

- 48 48" wide 72 72" wide

**Step 4. Paint Color Code**

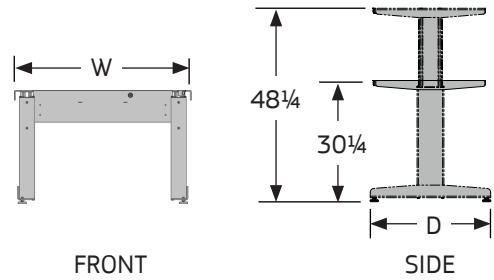
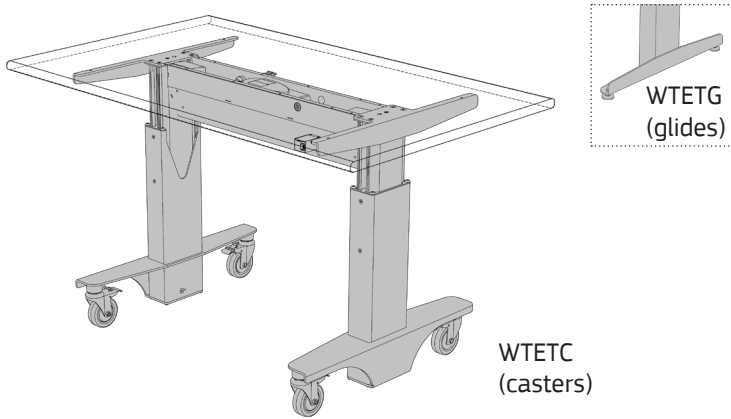
STANDARD

- AS Argent Silver
- AW Arctic White
- BK Black
- BT Black Texture
- GL Grey Light Smooth
- GT Grey Light Texture
- NW Neutral White
- ST Sand Texture

| Product Number | Description                         | Width |      | Depth |      | Weight |      |
|----------------|-------------------------------------|-------|------|-------|------|--------|------|
|                |                                     | in.   | [mm] | in.   | [mm] | lb.    | [kg] |
| WTERG3048J     | Electric, 15" travel range, glides  | 42    | 1067 | 30    | 762  | 106    | 48.1 |
| WTERG3072J     | Electric, 15" travel range, glides  | 66    | 1676 | 30    | 762  | 113    | 51.3 |
| WTERC3048J     | Electric, 15" travel range, casters | 42    | 1067 | 30    | 762  | 119    | 54.0 |
| WTERC3072J     | Electric, 15" travel range, casters | 66    | 1676 | 30    | 762  | 126    | 57.2 |
| WTERG3648J     | Electric, 15" travel range, glides  | 42    | 1067 | 30    | 762  | 114    | 51.7 |
| WTERG3672J     | Electric, 15" travel range, glides  | 66    | 1676 | 30    | 762  | 121    | 54.9 |
| WTERC3648J     | Electric, 15" travel range, casters | 42    | 1067 | 30    | 762  | 127    | 57.6 |
| WTERC3672J     | Electric, 15" travel range, casters | 66    | 1676 | 30    | 762  | 134    | 60.8 |

Rev 08/15/24





**WORKTABLE BASE, ELECTRIC, 18" TRAVEL RANGE**

- Use exclusively with Work Surfaces to construct two-sided height adjustable tables.
- 48" wide bases accommodate 48", 60" and 72" wide tops.
- 72" wide bases accommodate 72" and 96" wide tops.
- The electrically driven self-guided aluminum assemblies have a 18" travel range from 30 1/4" to 48 1/4" to the underside of the surfaces, rising at 1/4" per second.
- Bases require 120 Volt, 60 Hz. power. A hand control switch and a 9 1/2' power cord are supplied. Amp draw: 4 Amps.
- Available with leveling glides or 4" polypropylene casters with totalock brakes (simultaneously locks the swivel and wheel).
- Gross dynamic load capacity 500 lbs. evenly distributed.
- Shipped fully assembled. Hand control switch is field installed to surfaces.
- Uses ETL recognized components.

**NOTES**

- » Work Surfaces sold separately; see Section 4.
- » Optional Lower Shelf sold separately; see page 3.21.
- » Travel range is measured from floor to bottom of surface.
- » International electrical configuration available; consult factory.
- » Hand control switch (Symbiote standard "J") is field installed. Optional styles available; see page 3.27.

**How to Specify**

**Step 1. Product Number**

- WTETG Glide Base, 18" Travel Range
- WTETC Caster Base, 18" Travel Range

**Step 2. Depth**

- 30 30" deep 36 36" deep

**Step 3. Width**

- 48 48" wide 72 72" wide

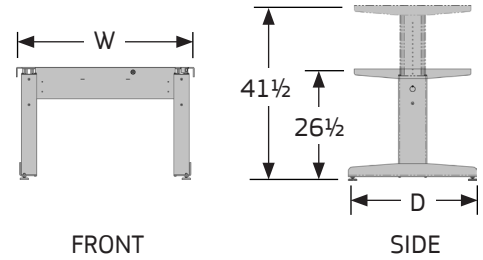
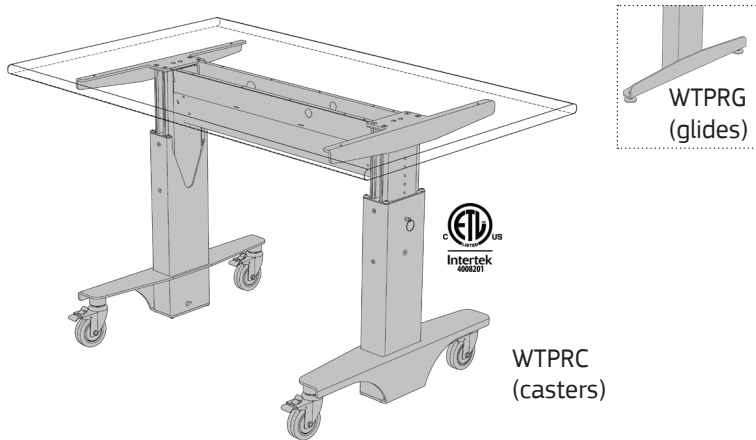
**Step 4. Paint Color Code**

STANDARD

- AS Argent Silver
- AW Arctic White
- BK Black
- BT Black Texture
- GL Grey Light Smooth
- GT Grey Light Texture
- NW Neutral White
- ST Sand Texture

| Product Number | Description                         | Width |      | Depth |      | Weight |      |
|----------------|-------------------------------------|-------|------|-------|------|--------|------|
|                |                                     | in.   | [mm] | in.   | [mm] | lb.    | [kg] |
| WTETG3048J     | Electric, 18" travel range, glides  | 42    | 1067 | 30    | 762  | 113    | 51.3 |
| WTETG3072J     | Electric, 18" travel range, glides  | 66    | 1676 | 30    | 762  | 120    | 54.4 |
| WTETC3048J     | Electric, 18" travel range, casters | 42    | 1067 | 30    | 762  | 126    | 57.2 |
| WTETC3072J     | Electric, 18" travel range, casters | 66    | 1676 | 30    | 762  | 133    | 60.3 |
| WTETG3648J     | Electric, 18" travel range, glides  | 42    | 1067 | 36    | 914  | 121    | 54.9 |
| WTETG3672J     | Electric, 18" travel range, glides  | 66    | 1676 | 36    | 914  | 128    | 58.1 |
| WTETC3648J     | Electric, 18" travel range, casters | 42    | 1067 | 36    | 914  | 134    | 60.8 |
| WTETC3672J     | Electric, 18" travel range, casters | 66    | 1676 | 36    | 914  | 141    | 64.0 |

Rev 08/15/24



**WORKTABLE BASE, POSITIONABLE, 15" TRAVEL RANGE**

- Use exclusively with Work Surfaces to construct two-sided height adjustable tables.
- 48" wide bases accommodate 48", 60" and 72" wide tops.
- 72" wide bases accommodate 72" and 96" wide tops.
- The self-guided aluminum assemblies have a 15" travel range from 26½" to 41½" to the underside of the surface. Bases adjust in 1" increments with threaded fasteners.
- Available with leveling glides or 4" polypropylene casters with totalock brakes (simultaneously locks the swivel and wheel).
- Dissipative bases each include two Ground Chains.
- Load capacity 750 lbs. evenly distributed.
- Shipped fully assembled.
- ETL recognized; conforms to UL Std. 962 and certified to CSA Std. C22.2 No. 68.

**NOTES**

- » Work Surfaces sold separately; see Section 4.
- » Optional Lower Shelf sold separately; see page 3.21.
- » Travel range is measured from floor to bottom of surface.
- » Dissipative bases include two ground chains.

**How to Specify**

**Step 1. Product Number**

- WTPRG Glide Base, 15" Travel Range
- WTPRC Caster Base, 15" Travel Range

**Step 2. Depth**

- 30 30" deep 36 36" deep

**Step 3. Width**

- 48 48" wide 72 72" wide

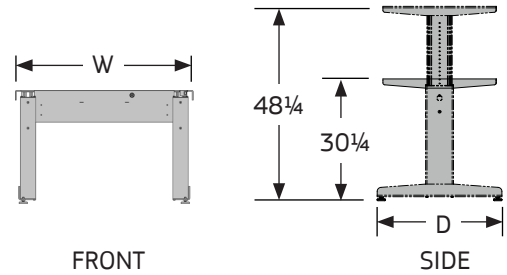
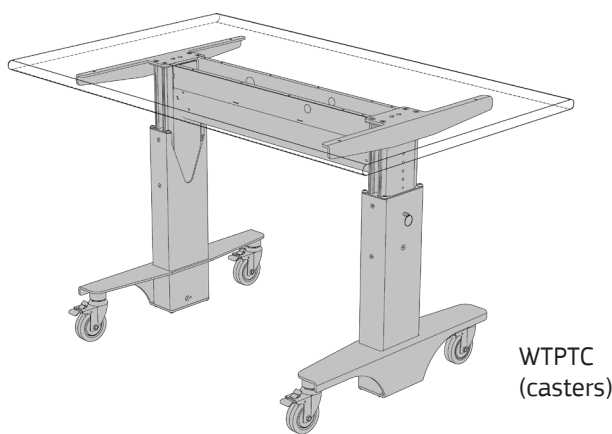
**Step 4. Paint Color Code**

STANDARD

- AS Argent Silver
- AW Arctic White
- BK Black
- BT Black Texture
- GL Grey Light Smooth
- GT Grey Light Texture
- NW Neutral White
- ST Sand Texture

| Product Number | Description                             | Width |      | Depth |      | Weight |      |
|----------------|---|-------|------|-------|------|--------|------|
|                |   | in.   | [mm] | in.   | [mm] | lb.    | [kg] |
| WTPRG3048W     | Positionable, 15" travel range, glides  | 42    | 1067 | 30    | 762  | 98     | 44.5 |
| WTPRG3072W     | Positionable, 15" travel range, glides  | 66    | 1676 | 30    | 762  | 126    | 57.2 |
| WTPRC3048W     | Positionable, 15" travel range, casters | 42    | 1067 | 30    | 762  | 103    | 46.7 |
| WTPRC3072W     | Positionable, 15" travel range, casters | 66    | 1676 | 30    | 762  | 111    | 50.3 |
| WTPRG3648W     | Positionable, 15" travel range, glides  | 42    | 1067 | 36    | 914  | 106    | 48.1 |
| WTPRG3672W     | Positionable, 15" travel range, glides  | 66    | 1676 | 36    | 914  | 134    | 60.8 |
| WTPRC3648W     | Positionable, 15" travel range, casters | 42    | 1067 | 36    | 914  | 111    | 50.3 |
| WTPRC3672W     | Positionable, 15" travel range, casters | 66    | 1676 | 36    | 914  | 119    | 54.0 |

Rev 04/01/19



**WORKTABLE BASE, POSITIONABLE, 18" TRAVEL RANGE**

- Use exclusively with Work Surfaces to construct two-sided height adjustable tables.
- 48" wide bases accommodate 48", 60" and 72" wide tops.
- 72" wide bases accommodate 72" and 96" wide tops.
- The self-guided aluminum assemblies have a 18" travel range from 30 1/4" to 48 1/4" to the underside of the surface. Bases adjust in 1" increments with threaded fasteners.
- Available with leveling glides or 4" polypropylene casters with totalock brakes (simultaneously locks the swivel and wheel).
- Load capacity 500 lbs. evenly distributed.
- Shipped fully assembled.

**NOTES**

- » Work Surfaces sold separately; see Section 4.
- » Optional Lower Shelf sold separately; see page 3.21.
- » Travel range is measured from floor to bottom of surface.
- » Dissipative bases include two ground chains.

**How to Specify**

**Step 1. Product Number**

- WTPTG Glide Base, 18" Travel Range
- WTPTC Caster Base, 18" Travel Range

**Step 2. Depth**

- 30 30" deep    36 36" deep

**Step 3. Width**

- 48 48" wide    72 72" wide

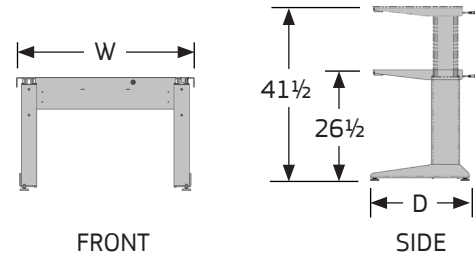
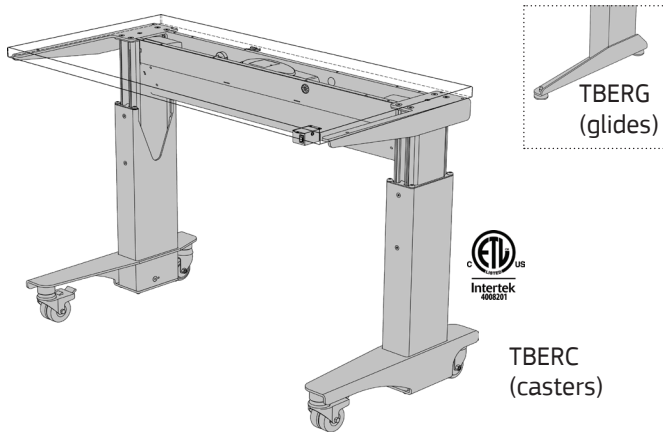
**Step 4. Paint Color Code**

STANDARD

- AS Argent Silver                      GL Grey Light Smooth
- AW Arctic White                        GT Grey Light Texture
- BK Black                                 NW Neutral White
- BT Black Texture                        ST Sand Texture

| Product Number | Description                             | Width |      | Depth |      | Weight |      |
|----------------|---|-------|------|-------|------|--------|------|
|                |   | in.   | [mm] | in.   | [mm] | lb.    | [kg] |
| WTPTG3048W     | Positionable, 18" travel range, glides  | 42    | 1067 | 30    | 762  | 103    | 46.7 |
| WTPTG3072W     | Positionable, 18" travel range, glides  | 66    | 1676 | 30    | 762  | 105    | 47.6 |
| WTPTC3048W     | Positionable, 18" travel range, casters | 42    | 1067 | 30    | 762  | 110    | 49.9 |
| WTPTC3072W     | Positionable, 18" travel range, casters | 66    | 1676 | 30    | 762  | 118    | 53.5 |
| WTPTG3648W     | Positionable, 18" travel range, glides  | 42    | 1067 | 36    | 914  | 109    | 49.4 |
| WTPTG3672W     | Positionable, 18" travel range, glides  | 66    | 1676 | 36    | 914  | 113    | 51.3 |
| WTPTC3648W     | Positionable, 18" travel range, casters | 42    | 1067 | 36    | 914  | 118    | 53.5 |
| WTPTC3672W     | Positionable, 18" travel range, casters | 66    | 1676 | 36    | 914  | 126    | 57.2 |

Rev 06/03/19



**TABLE BASE, ELECTRIC, 15" TRAVEL RANGE**

- Use with 24" and 30" deep Ultra Surfaces to construct a height adjustable bench.
- The electrically driven self-guided aluminum assemblies have a 15" travel range from 26½" to 41½" to the underside of the surfaces, rising at ¼" per second.
- Bases require 120 Volt, 60 Hz. power. A hand control switch and a 9½' power cord are supplied. Amp Draw: 4 Amps.
- Available with leveling glides or 3" polypropylene locking casters.
- Gross dynamic load capacity 750 lbs. evenly distributed.
- Shipped fully assembled. Hand control switch is field installed to surfaces.
- ETL recognized; conforms to UL Std. 962 and certified to CSA Std. C22.2 No. 68.

**NOTES**

- » Surfaces sold separately; see Section 4. The 30" and 36" deep surfaces are limited to 18" and 24" deep accessories respectively. Accessories greater than 12" deep cannot be mounted to 24" deep surfaces.
- » Optional Lower Shelf sold separately; see page 3.21.
- » Travel range is measured from floor to bottom of surface.
- » International electrical configuration available; consult factory.
- » Hand control switch (Symbiote standard "J") is field installed. Optional styles available; see page 3.27.

**How to Specify**

**Step 1. Product Number**

- TBERG** Glide Base, 15" Travel Range
- TBERC** Caster Base, 15" Travel Range

**Step 2. Width**

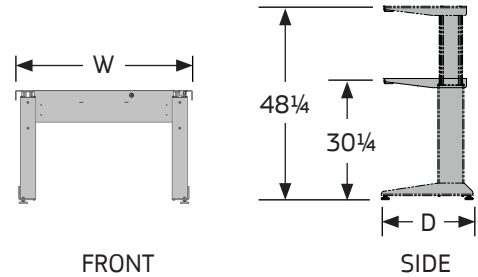
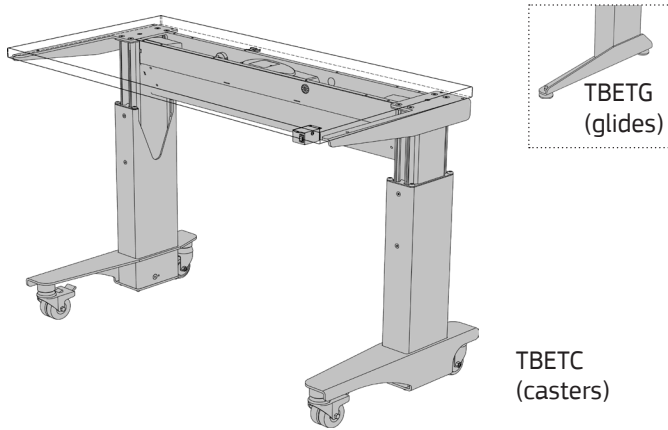
- 36** 36" wide    **48** 48" wide    **60** 60" wide
- 72** 72" wide    **96** 96" wide

**Step 3. Paint Color Code**

- STANDARD
- AS** Argent Silver                      **GL** Grey Light Smooth
  - AW** Arctic White                        **GT** Grey Light Texture
  - BK** Black                                 **NW** Neutral White
  - BT** Black Texture                      **ST** Sand Texture

| Product Number | Description   | Width |      | Depth |      | Weight |      |
|----------------|---|-------|------|-------|------|--------|------|
|                |   | in.   | [mm] | in.   | [mm] | lb.    | [kg] |
| TBERG36J       | Electric, 15" travel, glides, 24" and 30" surfaces  | 35 ½  | 902  | 23 ½  | 597  | 83     | 37.6 |
| TBERG48J       | Electric, 15" travel, glides, 24" and 30" surfaces  | 47 ½  | 1207 | 23 ½  | 597  | 86     | 39.0 |
| TBERG60J       | Electric, 15" travel, glides, 24" and 30" surfaces  | 59 ½  | 1511 | 23 ½  | 597  | 91     | 41.3 |
| TBERG72J       | Electric, 15" travel, glides, 24" and 30" surfaces  | 71 ½  | 1816 | 23 ½  | 597  | 94     | 42.6 |
| TBERG96J       | Electric, 15" travel, glides, 24" and 30" surfaces  | 95 ½  | 2426 | 32 ⅞  | 816  | 101    | 45.8 |
| TBERC36J       | Electric, 15" travel, casters, 24" and 30" surfaces | 35 ½  | 902  | 23 ½  | 597  | 126    | 57.2 |
| TBERC48J       | Electric, 15" travel, casters, 24" and 30" surfaces | 47 ½  | 1207 | 23 ½  | 597  | 130    | 59.0 |
| TBERC60J       | Electric, 15" travel, casters, 24" and 30" surfaces | 59 ½  | 1511 | 23 ½  | 597  | 134    | 60.8 |
| TBERC72J       | Electric, 15" travel, casters, 24" and 30" surfaces | 71 ½  | 1816 | 23 ½  | 597  | 137    | 62.1 |
| TBERC96J       | Electric, 15" travel, casters, 24" and 30" surfaces | 95 ½  | 2426 | 23 ½  | 597  | 145    | 65.8 |

Rev 08/15/24



**TABLE BASE, ELECTRIC, 18" TRAVEL RANGE**

- Use with 24" and 30" deep surfaces to construct a height adjustable bench.
- The electrically driven self-guided aluminum assemblies have a 18" travel range from 30 1/4" to 48 1/4" to the underside of the surface, rising at 1/4" per second.
- Bases require 120 Volt, 60 Hz. power. A hand control switch and a 9 1/2' power cord are supplied. Amp Draw: 4 Amps.
- Available with leveling glides or 3" polypropylene locking casters.
- Gross dynamic load capacity 500 lbs. evenly distributed.
- Shipped fully assembled. Hand control switch is field installed to surfaces.
- Uses ETL recognized components.

**NOTES**

- » Surfaces sold separately; see Section 4. The 30" and 36" deep surfaces are limited to 18" and 24" deep accessories respectively. Accessories greater than 12" deep cannot be mounted to 24" deep surfaces.
- » Optional Lower Shelf sold separately; see page 3.21.
- » Travel range is measured from floor to bottom of surface.
- » International electrical configuration available; consult factory.
- » Hand control switch (Symbiote standard "J") is field installed. Optional styles available; see page 3.27.

**How to Specify**

**Step 1. Product Number**

- TBETG Glide Base, 18" Travel Range
- TBETC Caster Base, 18" Travel Range

**Step 2. Width**

- 36 36" wide    48 48" wide    60 60" wide
- 72 72" wide    96 96" wide

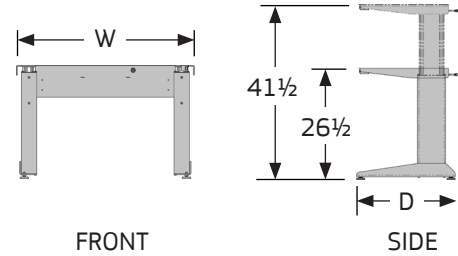
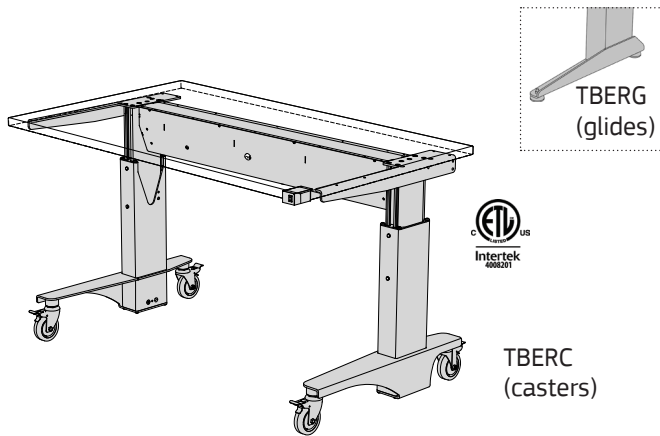
**Step 3. Paint Color Code**

STANDARD

- AS Argent Silver                      GL Grey Light Smooth
- AW Arctic White                      GT Grey Light Texture
- BK Black                                NW Neutral White
- BT Black Texture                      ST Sand Texture

| Product Number | Description   | Width  |      | Depth  |      | Weight |      |
|----------------|---|--------|------|--------|------|--------|------|
|                |   | in.    | [mm] | in.    | [mm] | lb.    | [kg] |
| TBETG36J       | Electric, 18" travel, glides, 24" and 30" surfaces  | 35 1/2 | 902  | 23 1/2 | 597  | 90     | 40.8 |
| TBETG48J       | Electric, 18" travel, glides, 24" and 30" surfaces  | 47 1/2 | 1207 | 23 1/2 | 597  | 93     | 42.2 |
| TBETG60J       | Electric, 18" travel, glides, 24" and 30" surfaces  | 59 1/2 | 1511 | 23 1/2 | 597  | 98     | 44.5 |
| TBETG72J       | Electric, 18" travel, glides, 24" and 30" surfaces  | 71 1/2 | 1816 | 23 1/2 | 597  | 101    | 45.8 |
| TBETG96J       | Electric, 18" travel, glides, 24" and 30" surfaces  | 95 1/2 | 2426 | 32 1/8 | 816  | 108    | 49.0 |
| TBETC36J       | Electric, 18" travel, casters, 24" and 30" surfaces | 35 1/2 | 902  | 23 1/2 | 597  | 133    | 60.3 |
| TBETC48J       | Electric, 18" travel, casters, 24" and 30" surfaces | 47 1/2 | 1207 | 23 1/2 | 597  | 137    | 62.1 |
| TBETC60J       | Electric, 18" travel, casters, 24" and 30" surfaces | 59 1/2 | 1511 | 23 1/2 | 597  | 141    | 64.0 |
| TBETC72J       | Electric, 18" travel, casters, 24" and 30" surfaces | 71 1/2 | 1816 | 23 1/2 | 597  | 144    | 65.3 |
| TBETC96J       | Electric, 18" travel, casters, 24" and 30" surfaces | 95 1/2 | 2426 | 32 1/8 | 816  | 152    | 68.9 |

Rev 08/15/24



**TABLE BASE, ELECTRIC, 15" TRAVEL RANGE, 36" D. SURFACE**

- Use with 36" deep surfaces only to construct a height adjustable bench.
- The electrically driven self-guided aluminum assemblies have a 15" travel range from 26½" to 41½" to the underside of the surface, rising at ¼" per second.
- Bases require 120 Volt, 60 Hz. power. A hand control switch and a 9½' power cord are supplied. Amp Draw: 4 Amps.
- Available with leveling glides or 3" polypropylene locking casters.
- Gross dynamic load capacity 750 lbs. evenly distributed.
- Shipped fully assembled. Hand control switch is field installed to surfaces.
- ETL recognized; conforms to UL Std. 962 and certified to CSA Std. C22.2 No. 68.

**NOTES**

- » Surfaces sold separately; see Section 4. The 36" deep surfaces are limited to 24" deep accessories.
- » Optional Lower Shelf sold separately; see page 3.21.
- » Travel range is measured from floor to bottom of surface.
- » International electrical configuration available; consult factory.
- » Hand control switch (Symbiote standard "J") is field installed. Optional styles available; see page 3.27.

**How to Specify**

**Step 1. Product Number**

- TBERG** Glide Base, 15" Travel Range
- TBERC** Caster Base, 15" Travel Range

**Step 2. Depth**

36 36" deep

**Step 3. Width**

36 36" wide    48 48" wide    60 60" wide  
72 72" wide    96 96" wide

**Step 4. Paint Color Code**

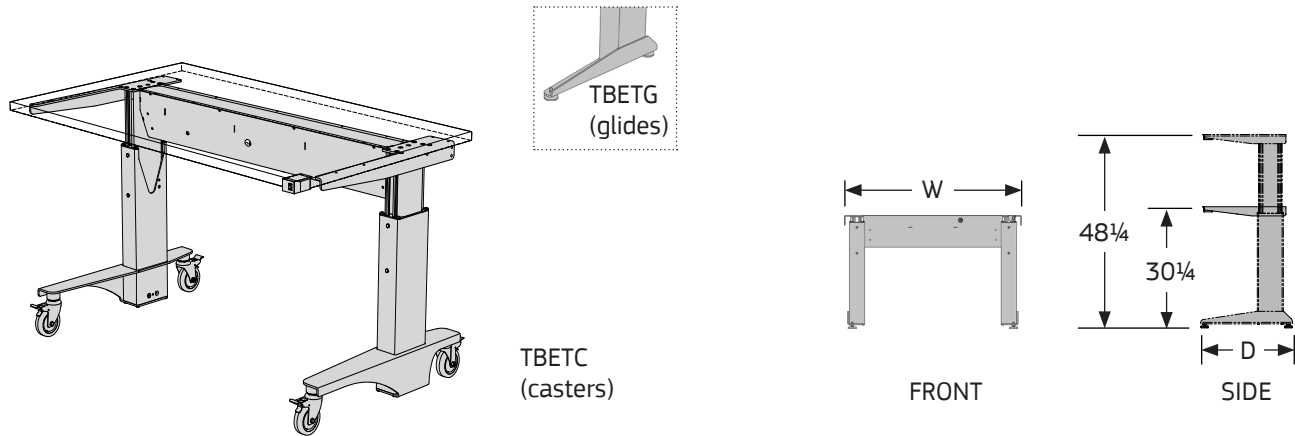
STANDARD

- AS** Argent Silver                      **GL** Grey Light Smooth
- AW** Arctic White                      **GT** Grey Light Texture
- BK** Black                                **NW** Neutral White
- BT** Black Texture                      **ST** Sand Texture

| Product Number | Description                                  | Width |      | Depth |      | Weight |      |
|----------------|--|-------|------|-------|------|--------|------|
|                |  | in.   | [mm] | in.   | [mm] | lb.    | [kg] |
| TBERG3636J     | Electric, 15" travel, glides, 36" D surface  | 35 ½  | 902  | 32 ⅞  | 816  | 83     | 37.6 |
| TBERG3648J     | Electric, 15" travel, glides, 36" D surface  | 47 ½  | 1207 | 32 ⅞  | 816  | 86     | 39.0 |
| TBERG3660J     | Electric, 15" travel, glides, 36" D surface  | 59 ½  | 1511 | 32 ⅞  | 816  | 91     | 41.3 |
| TBERG3672J     | Electric, 15" travel, glides, 36" D surface  | 71 ½  | 1816 | 32 ⅞  | 816  | 94     | 42.6 |
| TBERG3696J     | Electric, 15" travel, glides, 36" D surface  | 95 ½  | 2426 | 32 ⅞  | 816  | 101    | 45.8 |
| TBERC3636J     | Electric, 15" travel, casters, 36" D surface | 35 ½  | 902  | 34 ⅞  | 867  | 126    | 57.2 |
| TBERC3648J     | Electric, 15" travel, casters, 36" D surface | 47 ½  | 1207 | 34 ⅞  | 867  | 130    | 59.0 |
| TBERC3660J     | Electric, 15" travel, casters, 36" D surface | 59 ½  | 1511 | 34 ⅞  | 867  | 134    | 60.8 |
| TBERC3672J     | Electric, 15" travel, casters, 36" D surface | 71 ½  | 1816 | 34 ⅞  | 867  | 137    | 62.1 |
| TBERC3696J     | Electric, 15" travel, casters, 36" D surface | 95 ½  | 2426 | 34 ⅞  | 867  | 145    | 65.8 |

Rev 08/15/24





**TABLE BASE, ELECTRIC, 18" TRAVEL RANGE, 36" D. SURFACE**

- Use with 36" deep surfaces only to construct a height adjustable bench.
- The electrically driven self-guided aluminum assemblies have a 18" travel range from 30 1/4" to 48 1/4" to the underside of the surface, rising at 1/4" per second.
- Bases require 120 Volt, 60 Hz. power. A hand control switch and a 9 1/2' power cord are supplied. Amp Draw: 4 Amps.
- Available with leveling glides or 3" polypropylene locking casters.
- Gross dynamic load capacity 500 lbs. evenly distributed.
- Shipped fully assembled. Hand control switch is field installed to surfaces.
- Uses ETL recognized components.

**NOTES**

- » Surfaces sold separately; see Section 4. The 36" deep surfaces are limited to 24" deep accessories.
- » Optional Lower Shelf sold separately; see page 3.21.
- » Travel range is measured from floor to bottom of surface.
- » International electrical configuration available; consult factory.
- » Hand control switch (Symbiote standard "J") is field installed. Optional styles available; see page 3.27.

**How to Specify**

**Step 1. Product Number**

- TBETG Glide Base, 18" Travel Range
- TBETC Caster Base, 18" Travel Range

**Step 2. Depth**

36 36" deep

**Step 3. Width**

36 36" wide    48 48" wide    60 60" wide  
72 72" wide    96 96" wide

**Step 4. Paint Color Code**

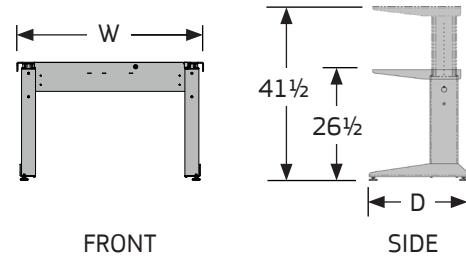
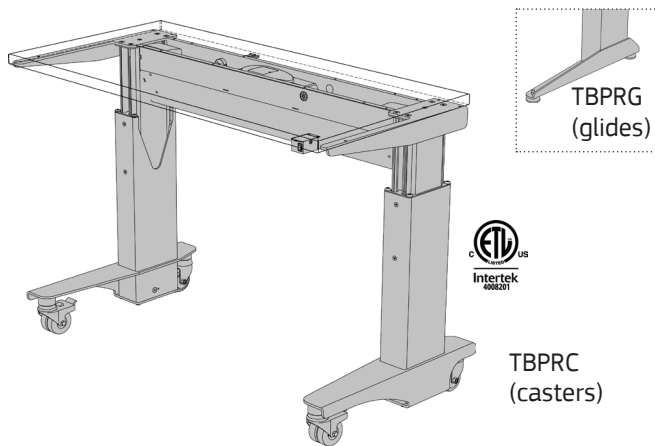
STANDARD

- AS Argent Silver                      GL Grey Light Smooth
- AW Arctic White                      GT Grey Light Texture
- BK Black                                NW Neutral White
- BT Black Texture                      ST Sand Texture

| Product Number | Description                                  | Width  |      | Depth  |      | Weight |      |
|----------------|--|--------|------|--------|------|--------|------|
|                |  | in.    | [mm] | in.    | [mm] | lb.    | [kg] |
| TBETG3636J     | Electric, 18" travel, glides, 36" D surface  | 35 1/2 | 902  | 32 1/8 | 816  | 90     | 40.8 |
| TBETG3648J     | Electric, 18" travel, glides, 36" D surface  | 47 1/2 | 1207 | 32 1/8 | 816  | 86     | 39.0 |
| TBETG3660J     | Electric, 18" travel, glides, 36" D surface  | 59 1/2 | 1511 | 32 1/8 | 816  | 98     | 44.5 |
| TBETG3672J     | Electric, 18" travel, glides, 36" D surface  | 71 1/2 | 1816 | 32 1/8 | 816  | 101    | 45.8 |
| TBETG3696J     | Electric, 18" travel, glides, 36" D surface  | 95 1/2 | 2426 | 32 1/8 | 816  | 108    | 49.0 |
| TBETC3636J     | Electric, 18" travel, casters, 36" D surface | 35 1/2 | 902  | 34 1/8 | 867  | 133    | 60.3 |
| TBETC3648J     | Electric, 18" travel, casters, 36" D surface | 47 1/2 | 1207 | 34 1/8 | 867  | 137    | 62.1 |
| TBETC3660J     | Electric, 18" travel, casters, 36" D surface | 59 1/2 | 1511 | 34 1/8 | 867  | 141    | 64.0 |
| TBETC3672J     | Electric, 18" travel, casters, 36" D surface | 71 1/2 | 1816 | 34 1/8 | 867  | 144    | 65.3 |
| TBETC3696J     | Electric, 18" travel, casters, 36" D surface | 95 1/2 | 2426 | 34 1/8 | 867  | 152    | 68.9 |

Rev 08/15/24





**TABLE BASE, POSITIONABLE, 15" TRAVEL RANGE**

- Use with 24" and 30" deep surfaces to construct a height adjustable bench.
- The self-guided aluminum assemblies have a 15" travel range from 26½" to 41½" to the underside of the surfaces. Bases adjust in 1" increments with threaded fasteners.
- Available with leveling glides or 3" polypropylene locking casters.
- Dissipative bases each include two Ground Chains.
- Load capacity 750 lbs. evenly distributed.
- Shipped fully assembled.
- ETL recognized; conforms to UL Std. 962 and certified to CSA Std. C22.2 No. 68.

**NOTES**

- » Surfaces sold separately; see Section 4.
- » Optional Lower Shelf sold separately; see page 3.21.
- » Travel range is measured from floor to bottom of surface.
- » Dissipative bases include two ground chains.

**How to Specify**

**Step 1. Product Number**

- TBPRG Glide Base, 15" Travel Range
- TBPRC Caster Base, 15" Travel Range

**Step 2. Width**

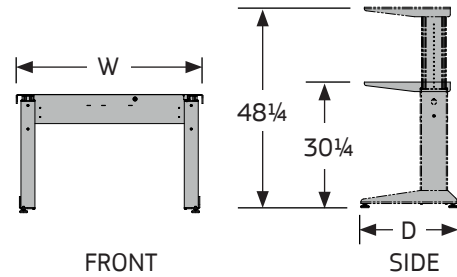
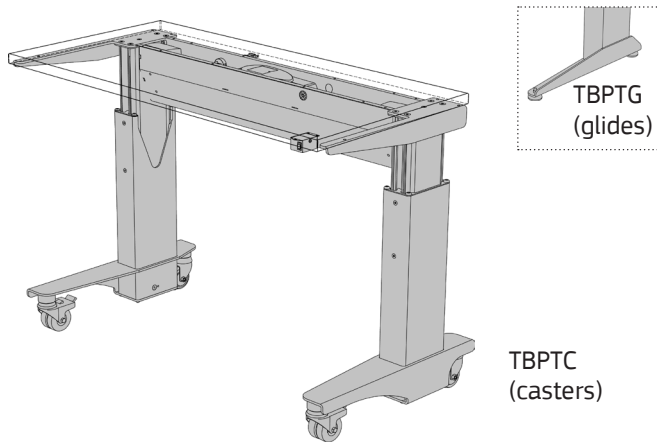
- 36 36" wide    48 48" wide    60 60" wide
- 72 72" wide    96 96" wide

**Step 3. Paint Color Code**

- STANDARD
- AS Argent Silver                      GL Grey Light Smooth
  - AW Arctic White                        GT Grey Light Texture
  - BK Black                                 NW Neutral White
  - BT Black Texture                        ST Sand Texture

| Product Number | Description  | Width |      | Depth |      | Weight |      |
|----------------|--|-------|------|-------|------|--------|------|
|                |  | in.   | [mm] | in.   | [mm] | lb.    | [kg] |
| TBPRG36W       | Positionable, 15" travel, 24" and 30" D. surfaces, glides  | 35 ½  | 902  | 23 ½  | 597  | 68     | 30.8 |
| TBPRG48W       | Positionable, 15" travel, 24" and 30" D. surfaces, glides  | 47 ½  | 1207 | 23 ½  | 597  | 72     | 32.7 |
| TBPRG60W       | Positionable, 15" travel, 24" and 30" D. surfaces, glides  | 59 ½  | 1511 | 23 ½  | 597  | 75     | 34.0 |
| TBPRG72W       | Positionable, 15" travel, 24" and 30" D. surfaces, glides  | 71 ½  | 1816 | 23 ½  | 597  | 78     | 35.4 |
| TBPRG96W       | Positionable, 15" travel, 24" and 30" D. surfaces, glides  | 95 ½  | 2426 | 23 ½  | 597  | 85     | 38.6 |
| TBPRC36W       | Positionable, 15" travel, 24" and 30" D. surfaces, casters | 35 ½  | 902  | 23 ½  | 597  | 111    | 50.3 |
| TBPRC48W       | Positionable, 15" travel, 24" and 30" D. surfaces, casters | 47 ½  | 1207 | 23 ½  | 597  | 115    | 52.2 |
| TBPRC60W       | Positionable, 15" travel, 24" and 30" D. surfaces, casters | 59 ½  | 1511 | 23 ½  | 597  | 119    | 54.0 |
| TBPRC72W       | Positionable, 15" travel, 24" and 30" D. surfaces, casters | 71 ½  | 1816 | 23 ½  | 597  | 122    | 55.3 |
| TBPRC96W       | Positionable, 15" travel, 24" and 30" D. surfaces, casters | 95 ½  | 2426 | 23 ½  | 597  | 129    | 58.5 |

Rev 04/01/19



**TABLE BASE, POSITIONABLE, 18" TRAVEL RANGE**

- Use with 24" and 30" deep surfaces to construct a height adjustable bench.
- The self-guided aluminum assemblies have a 18" travel range from 30 1/4" to 48 1/4" to the underside of the surface. Bases adjust in 1" increments with threaded fasteners.
- Available with leveling glides or 3" polypropylene locking casters.
- Load capacity 500 lbs. evenly distributed.
- Shipped fully assembled.

**NOTES**

- » Surfaces sold separately; see Section 4.
- » Optional Lower Shelf sold separately; see page 3.21.
- » Travel range is measured from floor to bottom of surface.
- » Dissipative bases include two ground chains.

**How to Specify**

**Step 1. Product Number**

- TBPTG Glide Base, 18" Travel Range
- TBPTC Caster Base, 18" Travel Range

**Step 2. Width**

- 36 36" wide    48 48" wide    60 60" wide
- 72 72" wide    96 96" wide

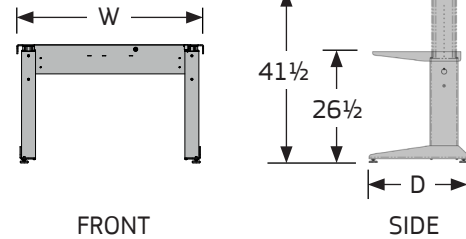
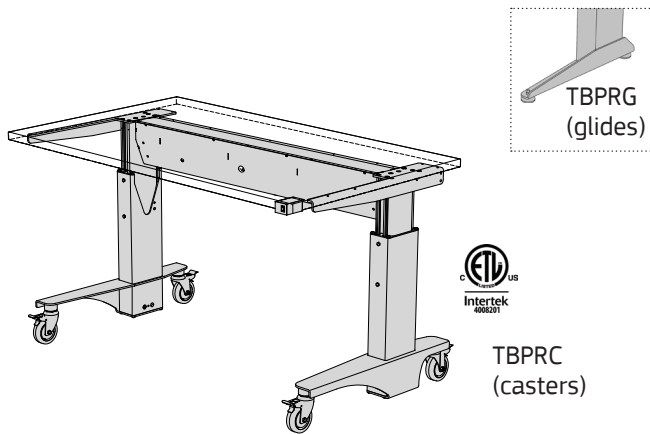
**Step 3. Paint Color Code**

STANDARD

- AS Argent Silver                      GL Grey Light Smooth
- AW Arctic White                      GT Grey Light Texture
- BK Black                                NW Neutral White
- BT Black Texture                      ST Sand Texture

| Product Number | Description  | Width  |      | Depth  |      | Weight |      |
|----------------|--|--------|------|--------|------|--------|------|
|                |  | in.    | [mm] | in.    | [mm] | lb.    | [kg] |
| TBPTG36W       | Positionable, 18" travel, 24" and 30" D. surfaces, glides  | 35 1/2 | 902  | 23 1/2 | 597  | 75     | 34.0 |
| TBPTG48W       | Positionable, 18" travel, 24" and 30" D. surfaces, glides  | 47 1/2 | 1207 | 23 1/2 | 597  | 79     | 35.8 |
| TBPTG60W       | Positionable, 18" travel, 24" and 30" D. surfaces, glides  | 59 1/2 | 1511 | 23 1/2 | 597  | 82     | 37.2 |
| TBPTG72W       | Positionable, 18" travel, 24" and 30" D. surfaces, glides  | 71 1/2 | 1816 | 23 1/2 | 597  | 85     | 38.6 |
| TBPTG96W       | Positionable, 18" travel, 24" and 30" D. surfaces, glides  | 95 1/2 | 2426 | 23 1/2 | 597  | 92     | 41.7 |
| TBPTC36W       | Positionable, 18" travel, 24" and 30" D. surfaces, casters | 35 1/2 | 902  | 23 1/2 | 597  | 118    | 53.5 |
| TBPTC48W       | Positionable, 18" travel, 24" and 30" D. surfaces, casters | 47 1/2 | 1207 | 23 1/2 | 597  | 122    | 55.3 |
| TBPTC60W       | Positionable, 18" travel, 24" and 30" D. surfaces, casters | 59 1/2 | 1511 | 23 1/2 | 597  | 126    | 57.2 |
| TBPTC72W       | Positionable, 18" travel, 24" and 30" D. surfaces, casters | 71 1/2 | 1816 | 23 1/2 | 597  | 129    | 58.5 |
| TBPTC96W       | Positionable, 18" travel, 24" and 30" D. surfaces, casters | 95 1/2 | 2426 | 23 1/2 | 597  | 136    | 61.7 |

Rev 04/01/19



**TABLE BASE, POSITIONABLE, 15" TRAVEL RANGE, 36" D. SURFACE**

- Use with a 36" deep surface only to construct a height adjustable bench.
- The self-guided aluminum assemblies have a 15" travel range from 26½" to 41½" to the underside of the surface. Bases adjust in 1" increments with threaded fasteners.
- Available with leveling glides or 3" polypropylene locking casters.
- Dissipative bases each include two Ground Chains.
- Load capacity 750 lbs. evenly distributed.
- Shipped fully assembled.
- ETL recognized; conforms to UL Std. 962 and certified to CSA Std. C22.2 No. 68.

**NOTES**

- » Surfaces sold separately; see Section 4.
- » Optional Lower Shelf sold separately; see page 3.21.
- » Travel range is measured from floor to bottom of surface.
- » Dissipative bases include two ground chains.

**How to Specify**

**Step 1. Product Number**

- TBPRG Glide Base, 15" Travel Range
- TBPRC Caster Base, 15" Travel Range

**Step 2. Depth**

36 36" deep

**Step 3. Width**

36 36" wide    48 48" wide    60 60" wide  
72 72" wide    96 96" wide

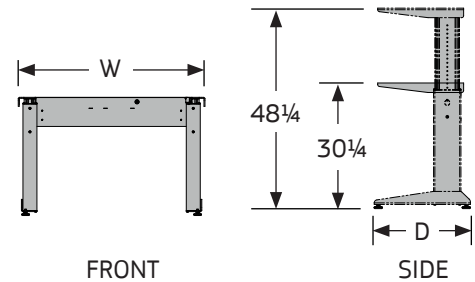
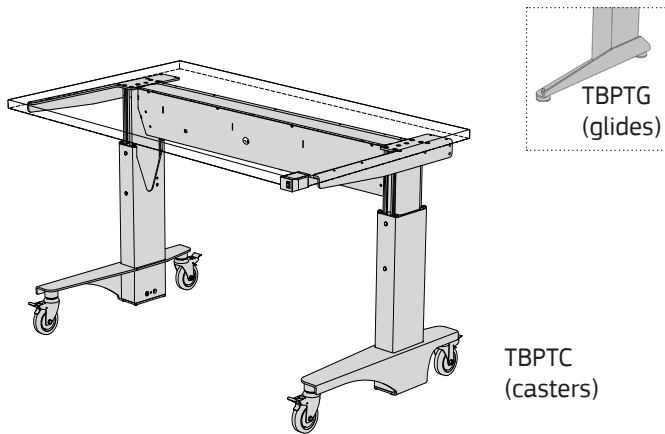
**Step 4. Paint Color Code**

STANDARD

- AS Argent Silver    GL Grey Light Smooth
- AW Arctic White    GT Grey Light Texture
- BK Black    NW Neutral White
- BT Black Texture    ST Sand Texture

| Product Number | Description                                      | Width |      | Depth |      | Weight |      |
|----------------|--|-------|------|-------|------|--------|------|
|                |  | in.   | [mm] | in.   | [mm] | lb.    | [kg] |
| TBPRG3636W     | Positionable, 15" travel, 36" D surface, glides  | 35 ½  | 902  | 32 ⅞  | 816  | 68     | 30.8 |
| TBPRG3648W     | Positionable, 15" travel, 36" D surface, glides  | 47 ½  | 1207 | 32 ⅞  | 816  | 72     | 32.7 |
| TBPRG3660W     | Positionable, 15" travel, 36" D surface, glides  | 59 ½  | 1511 | 32 ⅞  | 816  | 75     | 34.0 |
| TBPRG3672W     | Positionable, 15" travel, 36" D surface, glides  | 71 ½  | 1816 | 32 ⅞  | 816  | 78     | 35.4 |
| TBPRG3696W     | Positionable, 15" travel, 36" D surface, glides  | 95 ½  | 2426 | 32 ⅞  | 816  | 85     | 38.6 |
| TBPRC3636W     | Positionable, 15" travel, 36" D surface, casters | 35 ½  | 902  | 34 ⅞  | 867  | 111    | 50.3 |
| TBPRC3648W     | Positionable, 15" travel, 36" D surface, casters | 47 ½  | 1207 | 34 ⅞  | 867  | 115    | 52.2 |
| TBPRC3660W     | Positionable, 15" travel, 36" D surface, casters | 59 ½  | 1511 | 34 ⅞  | 867  | 119    | 54.0 |
| TBPRC3672W     | Positionable, 15" travel, 36" D surface, casters | 71 ½  | 1816 | 34 ⅞  | 867  | 122    | 55.3 |
| TBPRC3696W     | Positionable, 15" travel, 36" D surface, casters | 95 ½  | 2426 | 34 ⅞  | 867  | 129    | 58.5 |

Rev 04/01/19



**TABLE BASE, POSITIONABLE, 18" TRAVEL RANGE, 36" D. SURFACE**

- Use with a 36" deep surface only to construct a height adjustable bench.
- The self-guided aluminum assemblies have a 18" travel range from 30 1/4" to 48 1/4" to the underside of the surface. Bases adjust in 1" increments with threaded fasteners.
- Available with leveling glides or 3" polypropylene locking casters.
- Load capacity 500 lbs. evenly distributed.
- Shipped fully assembled.

**NOTES**

- » Surfaces sold separately; see Section 4.
- » Optional Lower Shelf sold separately; see page 3.21.
- » Travel range is measured from floor to bottom of surface.
- » Dissipative bases include two ground chains.

**How to Specify**

**Step 1. Product Number**

- TBPTG Glide Base, 18" Travel Range
- TBPTC Caster Base, 18" Travel Range

**Step 2. Depth**

36 36" deep

**Step 3. Width**

36 36" wide    48 48" wide    60 60" wide  
72 72" wide    96 96" wide

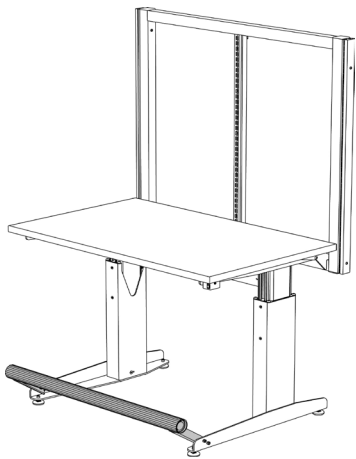
**Step 4. Paint Color Code**

STANDARD

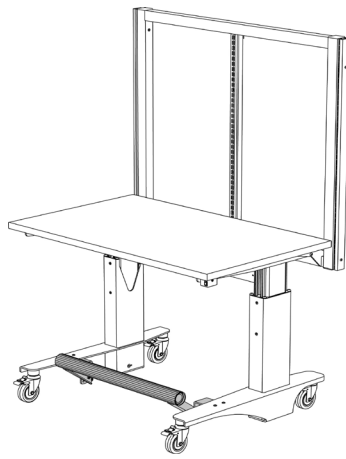
- AS Argent Silver
- AW Arctic White
- BK Black
- BT Black Texture
- GL Grey Light Smooth
- GT Grey Light Texture
- NW Neutral White
- ST Sand Texture

| Product Number | Description                                      | Width  |      | Depth  |      | Weight |      |
|----------------|--|--------|------|--------|------|--------|------|
|                |  | in.    | [mm] | in.    | [mm] | lb.    | [kg] |
| TBPTG3636W     | Positionable, 18" travel, 36" D surface, glides  | 35 1/2 | 902  | 32 1/8 | 816  | 75     | 34.0 |
| TBPTG3648W     | Positionable, 18" travel, 36" D surface, glides  | 47 1/2 | 1207 | 32 1/8 | 816  | 79     | 35.8 |
| TBPTG3660W     | Positionable, 18" travel, 36" D surface, glides  | 59 1/2 | 1511 | 32 1/8 | 816  | 82     | 37.2 |
| TBPTG3672W     | Positionable, 18" travel, 36" D surface, glides  | 71 1/2 | 1816 | 32 1/8 | 816  | 85     | 38.6 |
| TBPTG3696W     | Positionable, 18" travel, 36" D surface, glides  | 95 1/2 | 2426 | 32 1/8 | 816  | 92     | 41.7 |
| TBPTC3636W     | Positionable, 18" travel, 36" D surface, casters | 35 1/2 | 902  | 34 1/8 | 867  | 118    | 53.5 |
| TBPTC3648W     | Positionable, 18" travel, 36" D surface, casters | 47 1/2 | 1207 | 34 1/8 | 867  | 122    | 55.3 |
| TBPTC3660W     | Positionable, 18" travel, 36" D surface, casters | 59 1/2 | 1511 | 34 1/8 | 867  | 126    | 57.2 |
| TBPTC3672W     | Positionable, 18" travel, 36" D surface, casters | 71 1/2 | 1816 | 34 1/8 | 867  | 129    | 58.5 |
| TBPTC3696W     | Positionable, 18" travel, 36" D surface, casters | 95 1/2 | 2426 | 34 1/8 | 867  | 136    | 61.7 |

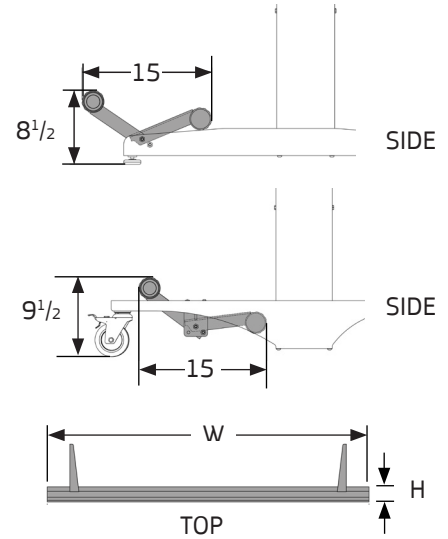
Rev 04/01/19



FRE



FREC



**ERGOSTAT FOOTREST**

- Footrests support legs and feet when sitting or standing.
- Footrests bolt to ErgoStat and WorkTable Bases with glides or casters.
- Aluminum bars manually adjust forward or back to accommodate sitting or standing and include end caps.
- Finish is Black.

**NOTES**

- » Footrests will not attach to UltraFrames, Table Bases or 4-Legged Tables.
- » WorkTable Bases accommodate one ErgoStat Footrest per side.
- » Field drilling of holes in feet is required for installation.

**How to Specify**

**Step 1. Product Number**

- FRE Glide Base
- FREC Caster Base

**Step 2. Width**

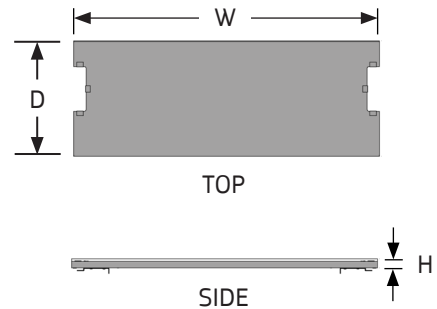
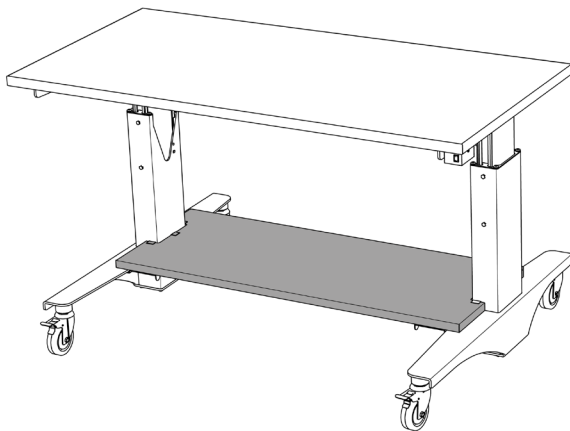
- 36\* 36" wide    48 48" wide    60 60" wide
- 72 72" wide    96 96" wide

**Step 3. Paint Color Code**

- BB Black

| Product Number | Description       | Width  |      | Height |      | Weight |      |
|----------------|-------------------|--------|------|--------|------|--------|------|
|                |                   | in.    | [mm] | in.    | [mm] | lb.    | [kg] |
| FRE36BB        | Glide base mount  | 29 1/2 | 749  | 2 1/2  | 64   | 4      | 1.8  |
| FRE48BB        | Glide base mount  | 41 1/2 | 1054 | 2 1/2  | 64   | 5      | 2.3  |
| FRE60BB        | Glide base mount  | 53 1/2 | 1359 | 2 1/2  | 64   | 6      | 2.7  |
| FRE72BB        | Glide base mount  | 65 1/2 | 1664 | 2 1/2  | 64   | 8      | 3.6  |
| FRE96BB        | Glide base mount  | 89 1/2 | 2273 | 2 1/2  | 64   | 11     | 5.0  |
| FREC36BB       | Caster base mount | 17 1/2 | 444  | 2 1/2  | 64   | 5      | 2.3  |
| FREC48BB       | Caster base mount | 29 1/2 | 749  | 2 1/2  | 64   | 6      | 2.7  |
| FREC60BB       | Caster base mount | 41 1/2 | 1054 | 2 1/2  | 64   | 7      | 3.2  |
| FREC72BB       | Caster base mount | 53 1/2 | 1359 | 2 1/2  | 64   | 9      | 4.1  |
| FREC96BB       | Caster base mount | 77 1/2 | 1969 | 2 1/2  | 64   | 10     | 4.5  |

Rev 11/06/12



**LOWER SHELF**

- Lower shelf provides general storage below work surface on Table, WorkTable and ErgoStat bases.
- Mounts on glide or caster bases.
- Works well for storing equipment, reagent supplies or heavy boxes.
- The LES and LTS include two lock-down tabs and a shelf with a ½" raised edge that is positioned in the back.
- The LWS includes four lock-down tabs without a raised edge allowing access from either side.
- No hardware or tools are needed for assembly.
- Load capacity 200 lbs. evenly distributed.

**NOTES**

» Lower Shelf for 4-Legged Table available; see page 3.28.

**How to Specify**

**Step 1. Product Number**

- LTS Table Shelf
- LES ErgoStat Shelf
- LWS WorkTable Shelf

**Step 2. Width**

48 48" wide    60\* 60" wide    72 72" wide  
 \*60" width shelf unavailable for WorkTable

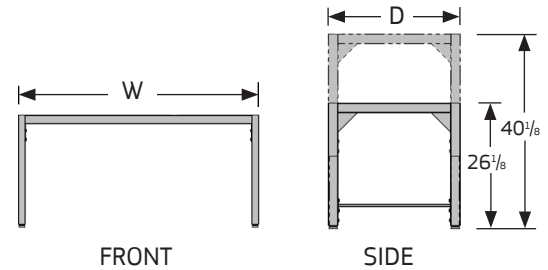
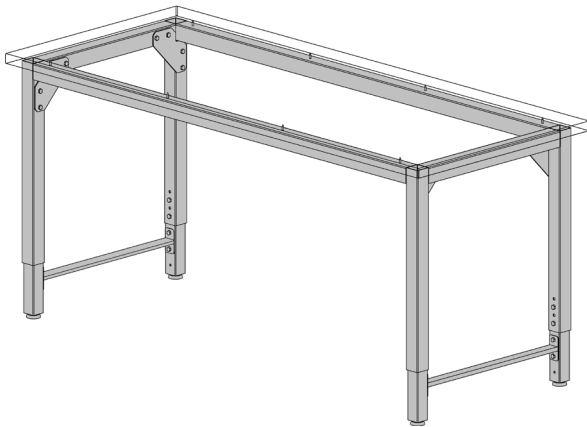
**Step 3. Paint Color Code**

STANDARD

- AS Argent Silver
- AW Arctic White
- BK Black
- BT Black Texture
- GL Grey Light Smooth
- GT Grey Light Texture
- NW Neutral White
- ST Sand Texture

| Product Number | Description             | Height |      | Width |      | Depth |      | Weight |      |
|----------------|-------------------------|--------|------|-------|------|-------|------|--------|------|
|                |                         | in.    | [mm] | in.   | [mm] | in.   | [mm] | lb.    | [kg] |
| LTS48          | Lower shelf, Table Base | 1 ½    | 38   | 42    | 1067 | 16    | 406  | 22     | 10.0 |
| LTS60          | Lower shelf, Table Base | 1 ½    | 38   | 54    | 1372 | 16    | 406  | 27     | 12.2 |
| LTS72          | Lower shelf, Table Base | 1 ½    | 38   | 66    | 1676 | 16    | 406  | 32     | 14.5 |
| LES48          | Lower shelf, ErgoStat   | 1 ½    | 38   | 36    | 914  | 18    | 457  | 19     | 8.6  |
| LES60          | Lower shelf, ErgoStat   | 1 ½    | 38   | 48    | 1219 | 18    | 457  | 24     | 10.9 |
| LES72          | Lower shelf, ErgoStat   | 1 ½    | 38   | 60    | 1524 | 18    | 457  | 30     | 13.6 |
| LWS48          | Lower shelf, WorkTable  | 1      | 25   | 36    | 914  | 24    | 610  | 19     | 8.6  |
| LWS72          | Lower shelf, WorkTable  | 1      | 25   | 60    | 1524 | 24    | 610  | 32     | 14.5 |

Rev 08/15/24



**4-LEGGED TABLE, GLIDES**

- Table has leveling glides and a 14" travel range measuring 26 1/8" to 40 1/8" from the floor to the bottom of the work surface. Adjusts in 1" increments with threaded fasteners.
- Heavy-duty welded steel front and back frame construction. Lower side leg cross-bar for added strength and stability.
- Use with Standard Surfaces or Work Surfaces to construct a height adjustable table. Surfaces are not pre-drilled for these bases.
- Lower Shelves and Surface Accessory Brackets available; see below.
- Ships knocked down and is easily assembled with gusset plates.
- Load capacity 1,000 lbs. evenly distributed.

**NOTES**

- » Standard and Work Surfaces sold separately; see section 4. Surfaces are not pre-drilled for these bases.
- » Optional Lower Shelves sold separately; see page 3.28.
- » Optional Surface Accessory Brackets sold separately; see Section 4.
- » Travel range is measured from floor to bottom of surface.
- » Optional Riser Frame available; see page 2.9 in the ErgoStat Pro Catalog.

**How to Specify**

**Step 1. Product Number**

FLPG

**Step 2. Depth**

24 24" deep    30 30" deep    36 36" deep  
42 42" deep    48 48" deep

**Step 3. Width**

36 36" wide    48 48" wide    60 60" wide  
72 72" wide    96 96" wide

**Step 4. Paint Color Code**

STANDARD

|    |               |    |                    |
|----|---------------|----|--------------------|
| AS | Argent Silver | GL | Grey Light Smooth  |
| AW | Arctic White  | GT | Grey Light Texture |
| BK | Black         | NW | Neutral White      |
| BT | Black Texture | ST | Sand Texture       |

| Product Number | Description | Width  |      | Depth  |      | Weight |      |
|----------------|-------------|--------|------|--------|------|--------|------|
|                |             | in.    | [mm] | in.    | [mm] | lb.    | [kg] |
| FLPG2436       | Glides      | 32 3/4 | 832  | 20 3/4 | 527  | 54     | 24.5 |
| FLPG2448       | Glides      | 44 3/4 | 1137 | 20 3/4 | 527  | 59     | 26.8 |
| FLPG2460       | Glides      | 56 3/4 | 1441 | 20 3/4 | 527  | 63     | 28.6 |
| FLPG2472       | Glides      | 68 3/4 | 1746 | 20 3/4 | 527  | 67     | 30.4 |
| FLPG2496       | Glides      | 92 3/4 | 2356 | 20 3/4 | 527  | 75     | 34.0 |

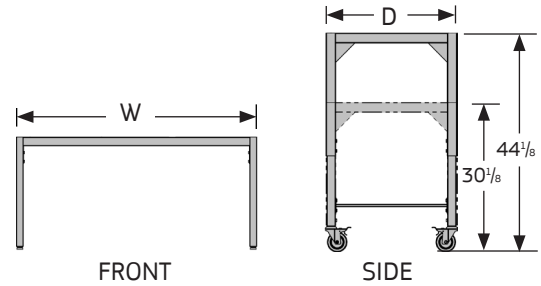
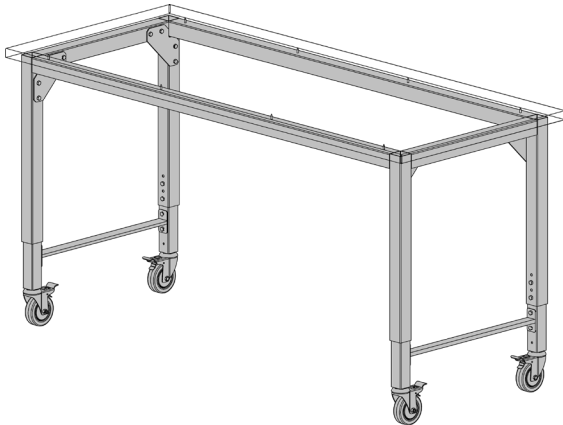
cont'd



**4-LEGGED TABLE, GLIDES** (Cont'd)

| Product Number | Description | Width |      | Depth |      | Weight |      |
|----------------|-------------|-------|------|-------|------|--------|------|
|                |             | in.   | [mm] | in.   | [mm] | lb.    | [kg] |
| FLPG3036       | Glides      | 32 ¾  | 832  | 26 ¾  | 679  | 56     | 25.4 |
| FLPG3048       | Glides      | 44 ¾  | 1137 | 26 ¾  | 679  | 61     | 27.7 |
| FLPG3060       | Glides      | 56 ¾  | 1441 | 26 ¾  | 679  | 66     | 29.9 |
| FLPG3072       | Glides      | 68 ¾  | 1746 | 26 ¾  | 679  | 70     | 31.8 |
| FLPG3096       | Glides      | 92 ¾  | 2356 | 26 ¾  | 679  | 78     | 35.4 |
| FLPG3636       | Glides      | 32 ¾  | 832  | 32 ¾  | 832  | 60     | 27.2 |
| FLPG3648       | Glides      | 44 ¾  | 1137 | 32 ¾  | 832  | 64     | 29.0 |
| FLPG3660       | Glides      | 56 ¾  | 1441 | 32 ¾  | 832  | 68     | 30.8 |
| FLPG3672       | Glides      | 68 ¾  | 1746 | 32 ¾  | 832  | 72     | 32.7 |
| FLPG3696       | Glides      | 92 ¾  | 2356 | 32 ¾  | 832  | 81     | 36.7 |
| FLPG4248       | Glides      | 44 ¾  | 1137 | 38 ¾  | 984  | 68     | 30.8 |
| FLPG4260       | Glides      | 56 ¾  | 1441 | 38 ¾  | 984  | 74     | 33.6 |
| FLPG4272       | Glides      | 68 ¾  | 1746 | 38 ¾  | 984  | 79     | 35.8 |
| FLPG4296       | Glides      | 92 ¾  | 2356 | 38 ¾  | 984  | 84     | 38.1 |
| FLPG4848       | Glides      | 44 ¾  | 1137 | 44 ¾  | 1137 | 71     | 32.2 |
| FLPG4860       | Glides      | 56 ¾  | 1441 | 44 ¾  | 1137 | 75     | 34.0 |
| FLPG4872       | Glides      | 68 ¾  | 1746 | 44 ¾  | 1137 | 81     | 36.7 |
| FLPG4896       | Glides      | 92 ¾  | 2356 | 44 ¾  | 1137 | 87     | 39.5 |

Rev 08/15/24



4-LEGGED TABLE, CASTERS

- Table has a 14" travel range measuring 30<sup>7</sup>/<sub>8</sub>" to 44<sup>1</sup>/<sub>8</sub>" from the floor to the bottom of the work surface. Adjusts in 1" increments with threaded fasteners.
- Heavy-duty welded steel front and back frame construction. Lower side leg cross-bar for added strength and stability.
- Includes 4" polypropylene casters with totalock brakes (simultaneously locks the swivel and wheel).
- Use with Standard or Work Surfaces to construct a height adjustable table. Surfaces are not pre-drilled for these bases.
- Lower Shelves and Surface Accessory Brackets available; see below.
- Ships knocked down and is easily assembled with gusset plates.
- Load capacity 880 lbs. evenly distributed.

NOTES

- » Standard and Work Surfaces sold separately; see section 4. Surfaces are not pre-drilled for these bases.
- » Optional Lower Shelves sold separately; see page 3.28.
- » Optional Surface Accessory Brackets sold separately; see Section 4.
- » Travel range is measured from floor to bottom of surface.

How to Specify

Step 1. Product Number

FLPC

Step 2. Depth

24 24" deep    30 30" deep    36 36" deep  
42 42" deep    48 48" deep

Step 3. Width

36 36" wide    48 48" wide    60 60" wide  
72 72" wide    96 96" wide

Step 4. Paint Color Code

STANDARD

AS Argent Silver    GL Grey Light Smooth  
AW Arctic White    GT Grey Light Texture  
BK Black    NW Neutral White  
BT Black Texture    ST Sand Texture

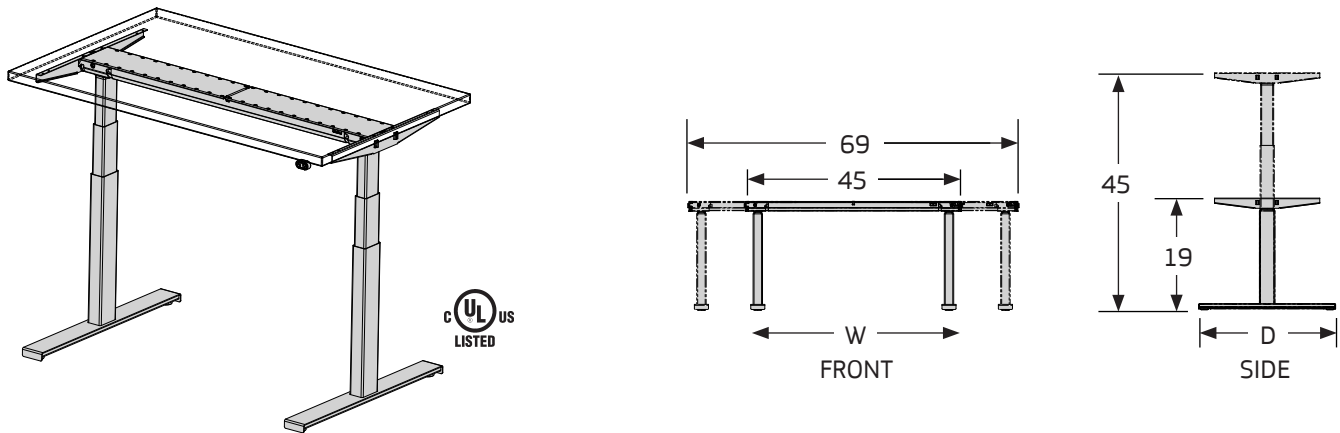
| Product Number | Description | Width  |      | Depth  |      | Weight |      |
|----------------|-------------|--------|------|--------|------|--------|------|
|                |             | in.    | [mm] | in.    | [mm] | lb.    | [kg] |
| FLPC2436       | Casters     | 32 3/4 | 832  | 20 3/4 | 527  | 61     | 27.7 |
| FLPC2448       | Casters     | 44 3/4 | 1137 | 20 3/4 | 527  | 65     | 29.5 |
| FLPC2460       | Casters     | 56 3/4 | 1441 | 20 3/4 | 527  | 69     | 31.3 |
| FLPC2472       | Casters     | 68 3/4 | 1746 | 20 3/4 | 527  | 73     | 33.1 |
| FLPC2496       | Casters     | 92 3/4 | 2356 | 20 3/4 | 527  | 81     | 36.7 |

Cont'd

**4-LEGGED TABLE, CASTERS** (Cont'd)

| Product Number | Description | Width |      | Depth |      | Weight |      |
|----------------|-------------|-------|------|-------|------|--------|------|
|                |             | in.   | [mm] | in.   | [mm] | lb.    | [kg] |
| FLPC3036       | Casters     | 32 ¾  | 832  | 26 ¾  | 679  | 63     | 29.0 |
| FLPC3048       | Casters     | 44 ¾  | 1137 | 26 ¾  | 679  | 67     | 30.4 |
| FLPC3060       | Casters     | 56 ¾  | 1441 | 26 ¾  | 679  | 72     | 32.7 |
| FLPC3072       | Casters     | 68 ¾  | 1746 | 26 ¾  | 679  | 76     | 34.5 |
| FLPC3096       | Casters     | 92 ¾  | 2356 | 26 ¾  | 679  | 84     | 38.1 |
| FLPC3636       | Casters     | 32 ¾  | 832  | 32 ¾  | 832  | 66     | 29.9 |
| FLPC3648       | Casters     | 44 ¾  | 1137 | 32 ¾  | 832  | 70     | 31.8 |
| FLPC3660       | Casters     | 56 ¾  | 1441 | 32 ¾  | 832  | 74     | 33.6 |
| FLPC3672       | Casters     | 68 ¾  | 1746 | 32 ¾  | 832  | 78     | 35.4 |
| FLPC3696       | Casters     | 92 ¾  | 2356 | 32 ¾  | 832  | 87     | 39.5 |
| FLPG4248       | Casters     | 44 ¾  | 1137 | 38 ¾  | 984  | 71     | 32.2 |
| FLPC4260       | Casters     | 56 ¾  | 1441 | 38 ¾  | 984  | 78     | 35.4 |
| FLPC4272       | Casters     | 68 ¾  | 1746 | 38 ¾  | 984  | 83     | 37.6 |
| FLPC4296       | Casters     | 92 ¾  | 2356 | 38 ¾  | 984  | 88     | 39.9 |
| FLPC4848       | Casters     | 44 ¾  | 1137 | 44 ¾  | 1137 | 74     | 33.6 |
| FLPC4860       | Casters     | 56 ¾  | 1441 | 44 ¾  | 1137 | 79     | 35.8 |
| FLPC4872       | Casters     | 68 ¾  | 1746 | 44 ¾  | 1137 | 85     | 38.6 |
| FLPC4896       | Casters     | 92 ¾  | 2356 | 44 ¾  | 1137 | 91     | 41.3 |

Rev 08/15/24



**SYMPLE TABLE BASE, ELECTRIC, 26" TRAVEL RANGE**

- Use with 24", 30" and 36" deep surfaces to construct a height adjustable table.
- Telescoping, expandable base with 28" D foot fits surface widths from 48" to 96".
- UL Listed Base has a 26" travel range, 19" to 45" measured from the underside of the surface.
- Built-in anti-collision technology.
- Dynamic load capacity of 350 pounds, evenly distributed.
- Base rises 1½" per second with a 5% duty cycle.
- Complies with: IEC/EN 60335-1 part 1. UL962 4th edition, UL2999 1st edition and CSA C22.2 No. 68-18 8th edition.
- Meets: ANSI/BIFMA X5.5: 2014 (up to 72")
- Includes a 9½' power cord and a standard hand control switch.
- Ships knocked down.

**NOTES**

- » Surfaces sold separately; see Section 4.
- » Travel range is measured from floor to bottom of surface.
- » Base does not accommodate battery pack.

**How to Specify**

**Step 1. Product Number**

**SWEG28J** Glide Base, 26" Travel Range

**Step 2. Paint Color Code**

- STANDARD
- AS Argent Silver
- AW Arctic White
- BK Black

| Product Number | Description                  | Width   |             | Depth |      | Weight |      |
|----------------|------------------------------|---------|-------------|-------|------|--------|------|
|                |                              | in.     | [mm]        | in.   | [mm] | lb.    | [kg] |
| SWEG28J        | Electric, 26" travel, glides | 45 - 69 | 1143 - 1753 | 28    | 711  | 55     | 24.9 |

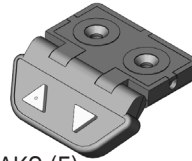
Rev 09/18/24



DPF1C (C)



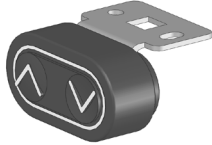
DP1CS (E)



DPAKO (F)



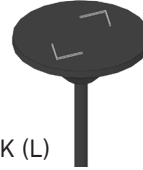
DPBKO (G)



DPF1K (J)



DPF1M (K)



DPH1K (L)



DPT1C (M)



**HAND CONTROL SWITCHES - ELECTRIC BASE**

- Optional hand control switches can replace the Symbiote standard DPF1K (“J” switch) included with electric ErgoStat, Table and WorkTable bases.
- Features include memory settings, digital feedback display and/or various mounting options. UL/CUL (US and Canada) recognized under UL962, File #E320513.
- Finish is Black.

**NOTES**

» Some switches may have an extended lead time.

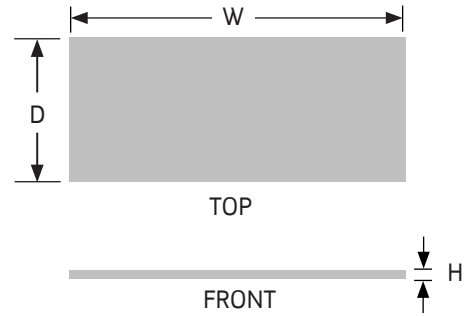
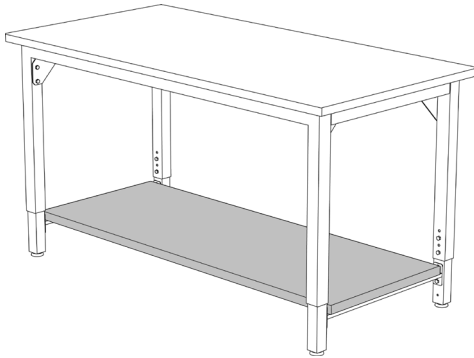
**How to Specify**

**Step 1. Product Number**

|       |                               |
|-------|-------------------------------|
| DPF1C | C Switch                      |
| DP1CS | E Switch                      |
| DPAKO | F Switch                      |
| DPBKO | G Switch                      |
| DPF1K | J Switch, standard (included) |
| DPF1M | K Switch                      |
| DPH1K | L Switch                      |
| DPT1C | M Switch                      |

| Product Number | Description  | Weight |      |
|----------------|--|--------|------|
|                |  | lb.    | [kg] |
| DPF1C (C)      | Rocker switch, 3-memory settings, digital display, bracket mount                 | 1      | 0.5  |
| DP1CS (E)      | Push-button, 3-memory settings, digital display, box mount                       | 1      | 0.5  |
| DPAKO (F)      | Push-button, hinge mount   | 1      | 0.5  |
| DPBKO (G)      | Push-button, angled mount  | 1      | 0.5  |
| DPF1K (J)      | Standard Symbiote switch, push-button, bracket mount (included)                  | 1      | 0.5  |
| DPF1M (K)      | Rocker switch, 3-memory settings, bracket mount                                  | 1      | 0.5  |
| DPH1K (L)      | Push-button, flush counterbore surface mount                                     | 1      | 0.5  |
| DPT1C (M)      | Touch panel, 3 memory settings, digital display, flush counterbore surface mount | 1      | 0.5  |

Rev 08/15/24



**LOWER SHELF, 4-LEGGED TABLE**

- A 1¼" high laminate Lower Shelf provides general storage below the surface on glide or caster 4-Legged Table bases.
- Available in full or half depth sizes.
- Load capacity for the half size Lower Shelf is 100 lbs. evenly distributed.
- Load capacity for the full size Lower Shelf is 200 lbs. evenly distributed.
- Lower Shelf attaches to the 4-Legged Table support bars with hook and loop strips.
- Lower Shelves have square corners with matching edge band.

**NOTES**

- » Lower Shelf is not designed to work with Ergostat, WorkTable or Table Bases. See page 3.21 for other lower shelf options.
- » Half size unavailable for 24" deep 4-Legged Tables.

**How to Specify**

**Step 1. Product Number**

- FLSLH Half Depth
- FLSLF Full Depth

**Step 2. Depth**

- 24 24" deep Full Depth only
- 30 30" deep Half and Full Depth
- 36 36" deep Half and Full Depth

**Step 3. Width**

- 48 48" wide    60 60" wide    72 72" wide

**Step 4. Laminate Color Code**

- STANDARD
- BK Black
- GF Grey Fleck
- GL Grey Light Smooth
- NW Neutral White
- SA Sand
- WF White Fleck

| Product Number | Description             | Height |      | Width |      | Depth |      | Weight |      |
|----------------|-------------------------|--------|------|-------|------|-------|------|--------|------|
|                |                         | in.    | [mm] | in.   | [mm] | in.   | [mm] | lb.    | [kg] |
| FLSLH3048      | Lower shelf, half depth | 1 ¼    | 32   | 44    | 1118 | 11    | 279  | 19     | 8.6  |
| FLSLH3060      | Lower shelf, half depth | 1 ¼    | 32   | 56    | 1422 | 11    | 279  | 23     | 10.4 |
| FLSLH3072      | Lower shelf, half depth | 1 ¼    | 32   | 68    | 1727 | 11    | 279  | 27     | 12.2 |
| FLSLH3648      | Lower shelf, half depth | 1 ¼    | 32   | 44    | 1118 | 14    | 356  | 23     | 10.4 |
| FLSLH3660      | Lower shelf, half depth | 1 ¼    | 32   | 56    | 1422 | 14    | 356  | 29     | 13.2 |
| FLSLH3672      | Lower shelf, half depth | 1 ¼    | 32   | 68    | 1727 | 14    | 356  | 36     | 16.3 |
| FLSLF2448      | Lower shelf, full depth | 1 ¼    | 32   | 44    | 1118 | 16    | 406  | 26     | 11.8 |
| FLSLF2460      | Lower shelf, full depth | 1 ¼    | 32   | 56    | 1422 | 16    | 406  | 34     | 15.4 |
| FLSLF2472      | Lower shelf, full depth | 1 ¼    | 32   | 68    | 1727 | 16    | 406  | 40     | 18.1 |
| FLSLF3048      | Lower shelf, full depth | 1 ¼    | 32   | 44    | 1118 | 22    | 559  | 38     | 17.2 |
| FLSLF3060      | Lower shelf, full depth | 1 ¼    | 32   | 56    | 1422 | 22    | 559  | 46     | 20.9 |
| FLSLF3072      | Lower shelf, full depth | 1 ¼    | 32   | 68    | 1727 | 22    | 559  | 54     | 24.5 |
| FLSLF3648      | Lower shelf, full depth | 1 ¼    | 32   | 44    | 1118 | 28    | 711  | 46     | 20.9 |
| FLSLF3660      | Lower shelf, full depth | 1 ¼    | 32   | 56    | 1422 | 28    | 711  | 58     | 26.3 |
| FLSLF3672      | Lower shelf, full depth | 1 ¼    | 32   | 68    | 1727 | 28    | 711  | 72     | 32.7 |

Rev 06/20/24