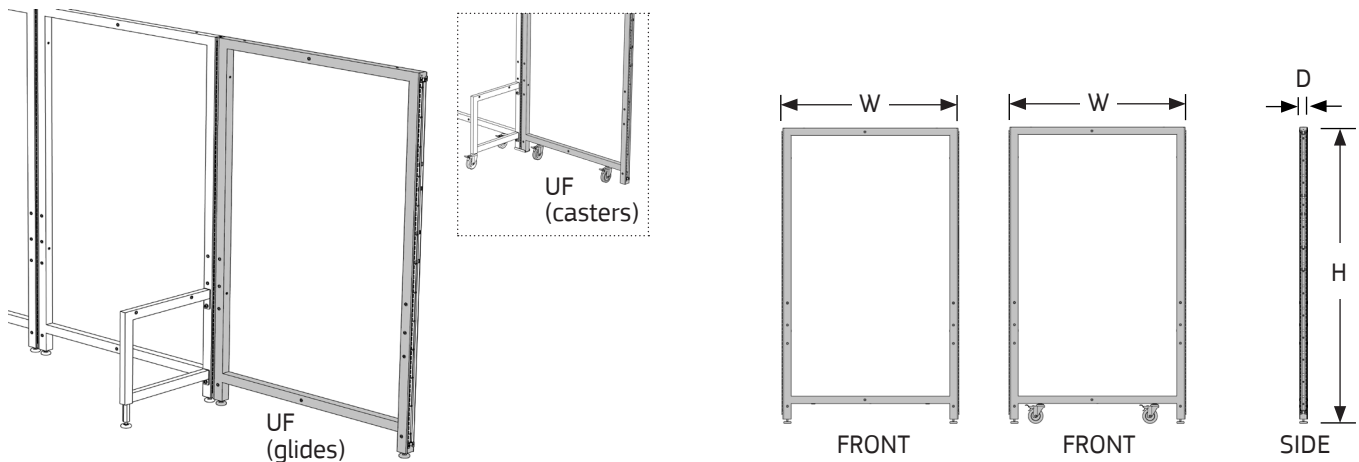


FRAMES AND CONNECTORS

UltraFrames.....	2.2
UltraFrame Spines.....	2.4
UltraFrame Connector Posts.....	2.5
Panel and Rigid Corner Connectors.....	2.6
Joiner Plates.....	2.7
Ultra Leg.....	2.8
A Leg Supports.....	2.9
Panel End Covers.....	2.10
Footrests.....	2.11
Touch Up Paint.....	2.12





ULTRAFRAMES

- Open steel frames provide structural support for hanging components.
- Frames permit vertical adjustment of components in 1" increments.
- Frames attach to all frame styles of equal or unequal height.
- Equipped with attachment points for ESD grounding hardware.
- Frames with Glides: Load capacity 1,000 lbs. per side evenly distributed.
- Frames with Casters: Load capacity 500 lbs. per side evenly distributed. Includes two 4" diameter polypropylene casters with totalock brakes (simultaneously locks the swivel and wheel).

Structural Support Requirements

- Ultra Legs, A Legs and Lab Legs available. Sold separately; see pages 2.8-2.9 and Section 10, respectively.
- Frames on Casters require Joiner Plates for structural support when connected with Panel Connectors, Connector Posts or Corner Connectors. Sold separately; see page 2.7.

Cable Management: 80" High Frame

- Attachment points for horizontal top mounting of Cable Ring Ducts and Cable Ducts Top Mount. Inserts are spaced to accommodate products with the same width as the frames.
- Attachment points for vertical inside mounting of Cable Ducts Frame Mount, Cable Ring Ducts and Plug Strips.
- Can accommodate a 48" component on each side of the inside face of the frame.

NOTES

- » Attach multiple frames with Panel Connectors, Corner Connectors or Connector Posts. Sold separately; see pages 2.5-2.6.
- » 48" and 60" wide frames can be divided with UltraFrame Spines. Sold separately; see page 2.4.
- » Optional Panel End Covers can be ordered to finish exposed hardware. Sold separately; see page 2.10.

How to Specify

Step 1. Product Number

UF

Step 2. Height

48 48" height 62 62" height 80 80" height

Step 3. Width

24 24" wide 30 30" wide 36 36" wide
48 48" wide 60 60" wide

Step 4. Casters (if required)

C5 Totalock Casters

Step 5. Paint Color Code

STANDARD

AW Arctic White

GL Grey Light Smooth

AS Argent Silver

GT Grey Light Texture

BK Black

NW Neutral White

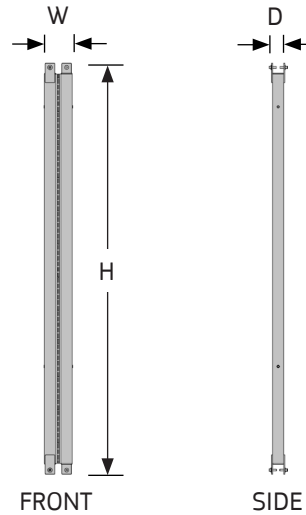
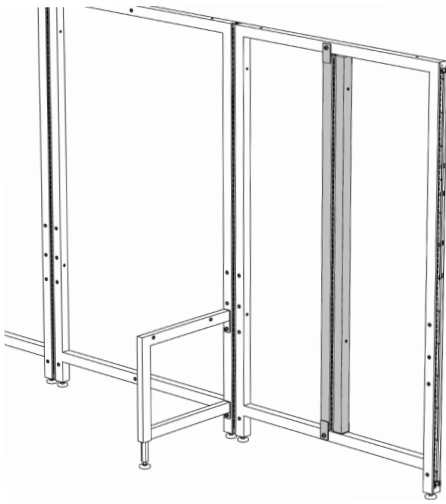
BT Black Texture

ST Sand Texture

ULTRAFRAME (Cont'd)

Product Number	Description	Height		Width		Depth		Weight		
		in.	[mm]	in.	[mm]	in.	[mm]	lb.	[kg]	
UF4824	Glides	48	1219	24	610	2	51	36	16.3	
UF4830	Glides	48	1219	30	762	2	51	39	17.7	
UF4836	Glides	48	1219	36	914	2	51	42	19.1	
UF4848	Glides	48	1219	48	1219	2	51	46	20.9	
UF4860	Glides	48	1219	60	1524	2	51	52	23.6	
UF6224	Glides	62	1575	24	610	2	51	43	19.5	
UF6230	Glides	62	1575	30	762	2	51	46	20.9	
UF6236	Glides	62	1575	36	914	2	51	49	22.2	
UF6248	Glides	62	1575	48	1219	2	51	54	24.5	
UF6260	Glides	62	1575	60	1524	2	51	59	26.8	
UF8024	Glides	80	2032	24	610	2	51	52	23.6	
UF8030	Glides	80	2032	30	762	2	51	54	24.5	
UF8036	Glides	80	2032	36	914	2	51	57	25.9	
UF8048	Glides	80	2032	48	1219	2	51	62	28.1	
UF8060	Glides	80	2032	60	1524	2	51	67	30.4	
.....										
UF4824C5	Casters	48	1219	24	610	2	51	36	16.3	
UF4830C5	Casters	48	1219	30	762	2	51	39	17.7	
UF4836C5	Casters	48	1219	36	914	2	51	42	19.1	
UF4848C5	Casters	48	1219	48	1219	2	51	46	20.9	
UF4860C5	Casters	48	1219	60	1524	2	51	52	23.6	
UF6224C5	Casters	62	1575	24	610	2	51	47	21.3	
UF6230C5	Casters	62	1575	30	762	2	51	50	22.7	
UF6236C5	Casters	62	1575	36	914	2	51	53	24.0	
UF6248C5	Casters	62	1575	48	1219	2	51	58	26.3	
UF6260C5	Casters	62	1575	60	1524	2	51	63	28.6	
UF8024C5	Casters	80	2032	24	610	2	51	56	25.4	
UF8030C5	Casters	80	2032	30	762	2	51	58	26.3	
UF8036C5	Casters	80	2032	36	914	2	51	61	27.7	
UF8048C5	Casters	80	2032	48	1219	2	51	66	29.9	
UF8060C5	Casters	80	2032	60	1524	2	51	71	32.2	

Rev 01/06/21



ULTRAFRAME SPINES

- UltraFrame Spines divide 48" and 60" wide UltraFrames into two smaller sections.
- Spines permit vertical adjustment of components in 1" increments and provide attachment points for ESD grounding hardware.
- Sold as a pair, UltraFrame Spines bolt to top and bottom connection points on UltraFrames.
- 80" high UltraFrame Spines feature ¼"-20 threaded inserts for vertical inside mounting of Cable Ducts Frame Mount, Cable Ring Ducts and Plug Strips. The pair of spines accommodate two 48" components.

NOTES

- » 48" wide frames divide into two 24" sections.
- » 60" wide frames divide into two 30" sections or a 24" and 36" section.
- » UltraFrame Spines do not attach to ErgoStat Riser Frames.

How to Specify

Step 1. Product Number

FS

Step 2. Height

48 48" height 62 62" height 80 80" height

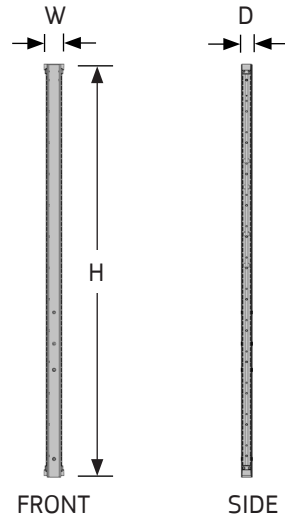
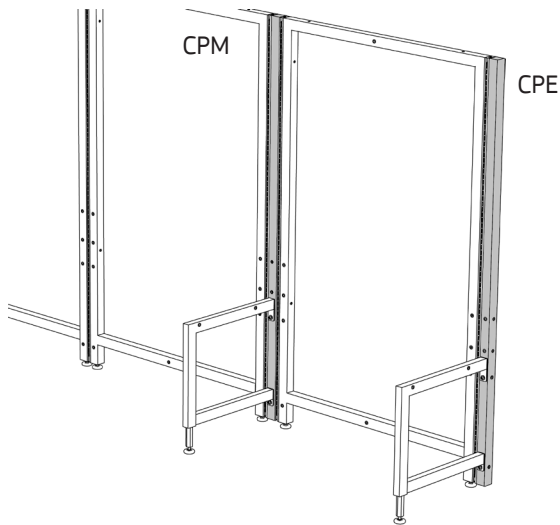
Step 3. Paint Color Code

STANDARD

- | | |
|------------------|-----------------------|
| AW Arctic White | GL Grey Light Smooth |
| AS Argent Silver | GT Grey Light Texture |
| BK Black | NW Neutral White |
| BT Black Texture | ST Sand Texture |

Product Number	Description	Height		Width		Depth		Weight	
		in.	[mm]	in.	[mm]	in.	[mm]	lb.	[kg]
FS48	Frame spine	40 ½	1029	5	127	2	51	22	10.0
FS62	Frame spine	54 ½	1384	5	127	2	51	29	13.2
FS80	Frame spine	72 ½	1842	5	127	2	51	38	17.2

Rev 04/01/19



ULTRAFRAME CONNECTOR POSTS

- Connector Posts provide panel support outside the boundaries of UltraFrames.
- Posts attach to UltraFrames and panels of the same height without Panel Connectors.
- A Legs and Ultra Legs bolt to both the front and back sides of 48", 62" and 80" high Connector Posts.

NOTES

- » Optional Mid End Covers can be ordered to trim the exposed hardware of Mid Connector Posts when used at the end of Panel runs. Order separately; see page 2.10.
- » Frames on Casters require Joiner Plates. Sold separately; see page 2.7.
- » Connector Posts add additional length to a run of panels.

How to Specify

Step 1. Product Number

- CPE Connector Post End
- CPM Connector Post Mid

Step 2. Height

48 48" height 62 62" height 80 80" height

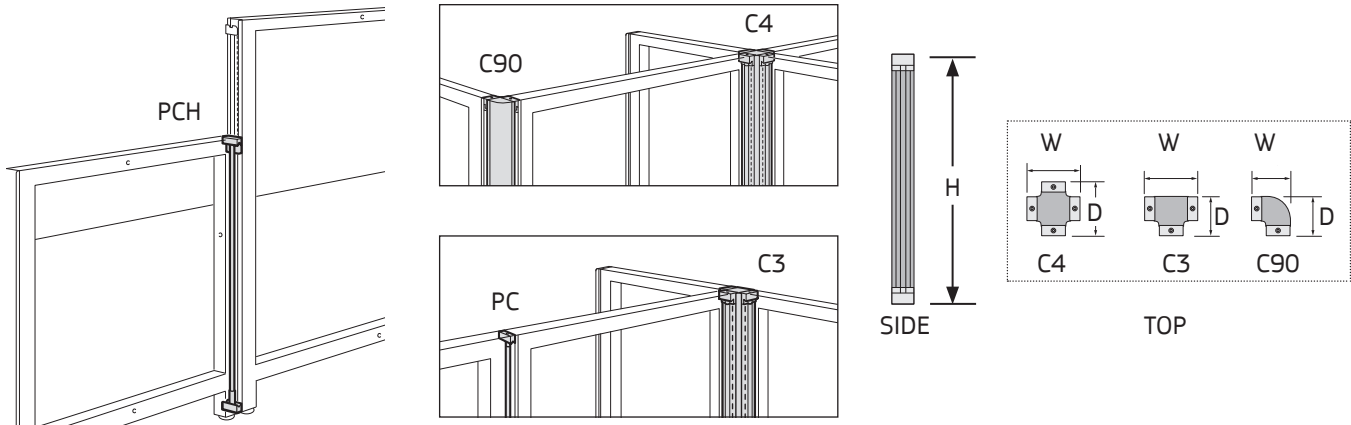
Step 3. Paint Color Code

STANDARD

- AW Arctic White
- AS Argent Silver
- BK Black
- BT Black Texture
- GL Grey Light Smooth
- GT Grey Light Texture
- NW Neutral White
- ST Sand Texture

Product Number	Description	Height		Width		Depth		Weight	
		in.	[mm]	in.	[mm]	in.	[mm]	lb.	[kg]
CPE48	End	48	1219	2 ½	64	2	51	17	7.7
CPE62	End	62	1575	2 ½	64	2	51	22	10.0
CPE80	End	80	2032	2 ½	64	2	51	27	12.2
CPM48	Mid	48	1219	3	76	2	51	17	7.7
CPM62	Mid	60	1524	3	76	2	51	22	10.0
CPM80	Mid	80	2032	3	76	2	51	27	12.2

Rev 10/01/19



PANEL AND RIGID CORNER CONNECTORS

Panel Connectors

- Panel Connectors attach adjacent UltraFrames or Panels of equal height in straight lines.
- Order connectors to match the height of the frames.
- Finish is Black.

Height Change Panel Connectors

- Height Change Panel Connectors attach adjacent UltraFrames or Panels of unequal height in straight lines.
- Order connectors to match the height of the shorter frames. For example, 80" high frames connecting to 62" high frames require 62" Height Change Panel Connectors.
- Finish is Black.

NOTES

- » Variable Height End Covers are required to trim the exposed side of the taller frames or connectors when attaching frames or connectors of lesser heights. Order separately; see page 2.10.
- » Corner Connectors add additional length to a run of panels. Panel Connectors add no additional length.

How to Specify

Step 1. Product Number

- PC Panel Connector
- PCH Height Change
- C3 Corner Connector, three-way
- C4 Corner Connector, four-way
- C90 Corner Connector, two-way

Step 2. Height

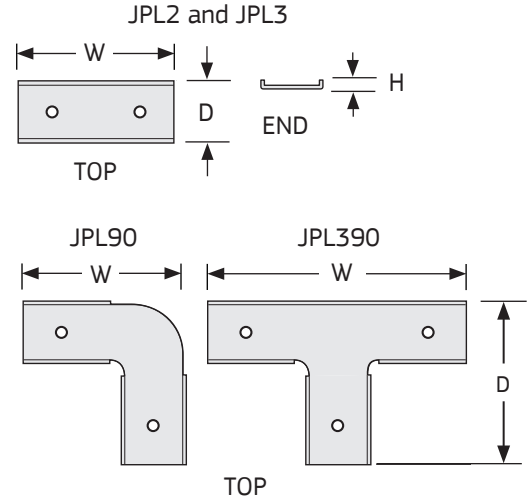
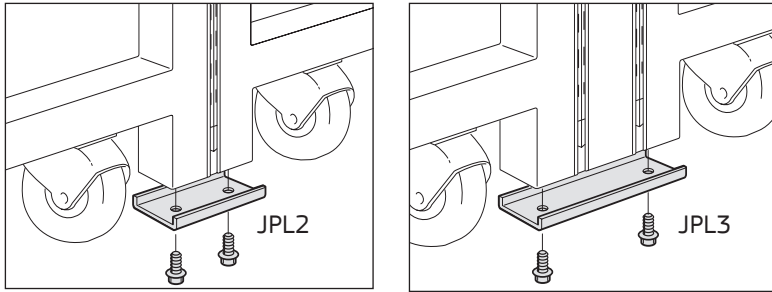
- 48 48" high (excludes C3 and C4)
- 62 62" high
- 80 80" high

Step 3. Paint Color Code (excludes PC, PCH)

- STANDARD
- AW Arctic White
 - AS Argent Silver
 - BK Black
 - BT Black Texture
 - GL Grey Light Smooth
 - GT Grey Light Texture
 - NW Neutral White
 - ST Sand Texture

Product Number	Description	Height		Width		Depth		Weight	
		in.	[mm]	in.	[mm]	in.	[mm]	lb.	[kg]
PC48	Panel connector	48	1219					1	0.5
PC62	Panel connector	62	1575					1	0.5
PC80	Panel connector	80	2032					2	0.9
PCH48	Height change panel connector	48	1219					1	0.5
PCH62	Height change panel connector	62	1575					1	0.5
PCH80	Height change panel connector	80	2032					2	0.9
C9048	Two-way corner connector	48	1219	2 3/4	70	2 3/4	70	6	2.7
C9062	Two-way corner connector	62	1575	2 3/4	70	2 3/4	70	8	3.6
C9080	Two-way corner connector	80	2032	2 3/4	70	2 3/4	70	10	4.5
C362	Three-way corner connector	62	1575	3 1/2	89	2 3/4	89	11	5.0
C380	Three-way corner connector	80	2032	3 1/2	89	2 3/4	89	13	5.9
C462	Four-way corner connector	62	1575	3 1/2	89	3 1/2	89	11	5.0
C480	Four-way corner connector	80	2032	3 1/2	89	3 1/2	89	11	5.0

Rev 04/01/19



JOINER PLATES

- Joiner Plates provide structural support for UltraFrames with Casters when connected with Panel Connectors, Connector Posts or Corner Connectors.
- Steel plates bolt to the bottom of frames and Connector Posts in place of the glides.
- Finish is Black.

How to Specify

Step 1. Product Number

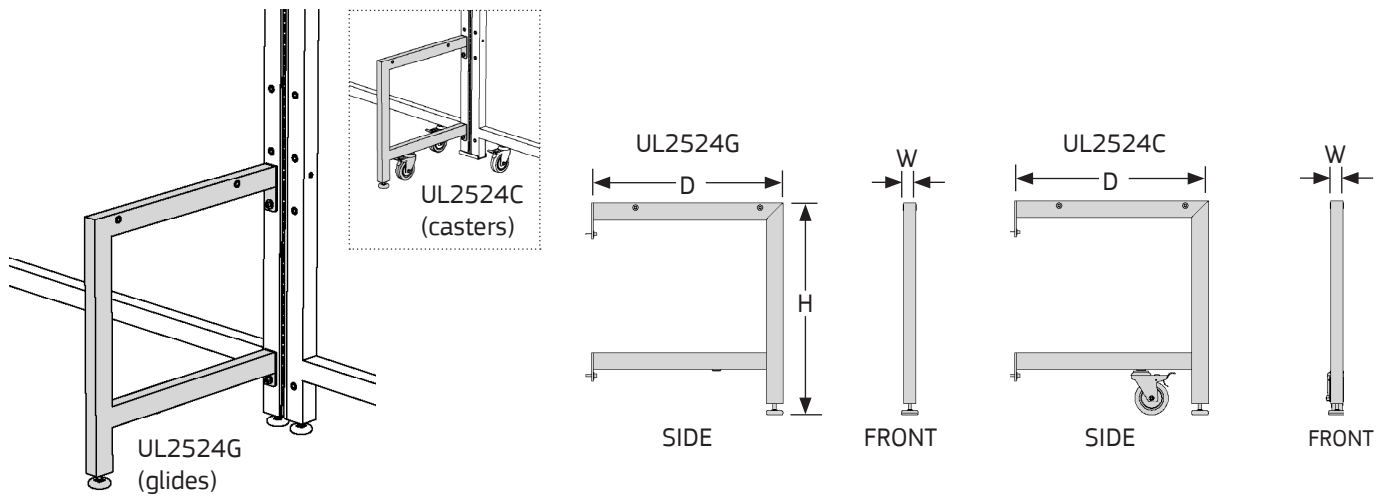
- JPL2 Frame/Frame
- JPL390 Three-Way Corner
- JPL3 Frame/Post/Frame
- JPL90 Two-Way Corner

Step 2. Paint Color Code

- BK Black

Product Number	Description	Height		Width		Depth		Weight	
		in.	[mm]	in.	[mm]	in.	[mm]	lb.	[kg]
JPL2BK	Frame/frame	¾	19	5	127	2	51	0.3	0.1
JPL390BK	Three-way corner	¾	19	8	203	2	51	0.5	0.2
JPL3BK	Frame/post/frame	¾	19	5 ¼	133	5 ¼	133	0.5	0.2
JPL90BK	Two-way corner	¾	19	8 ½	216	5 ¼	133	0.5	0.2

Rev 11/02/10



ULTRA LEG

- Ultra Legs provide (required) standing support for UltraFrames.
- Legs bolt to connection points on UltraFrames and Connector Posts.
- Equipped with a leveling glide or a 4" diameter polypropylene caster with totallock brake (simultaneously locks swivel and wheel). Ultra Legs with casters bolt to UltraFrames with Casters. Ultra Legs with glides bolt to UltraFrames with Glides and Connector Posts.
- Surface B Support Brackets fasten to either side of Ultra Legs for mounting surfaces. Surfaces sold separately; see section 4.

NOTES

» Do not use 24" deep Ultra Legs with 36" deep surfaces.

How to Specify

Step 1. Product Number

UL

Step 2. Height

25 25" high 30 30" high

Step 3. Depth

24 24" deep 30 30" deep

Step 4. Glides or Casters

C Casters G Glides

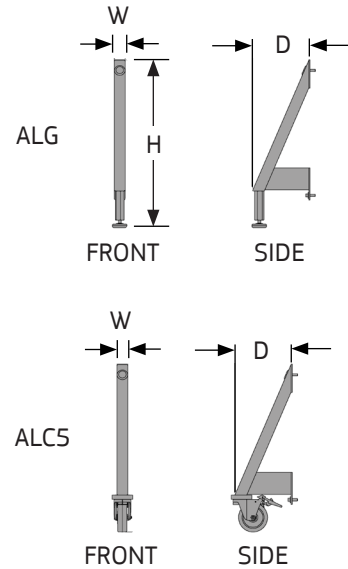
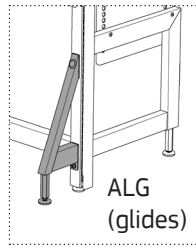
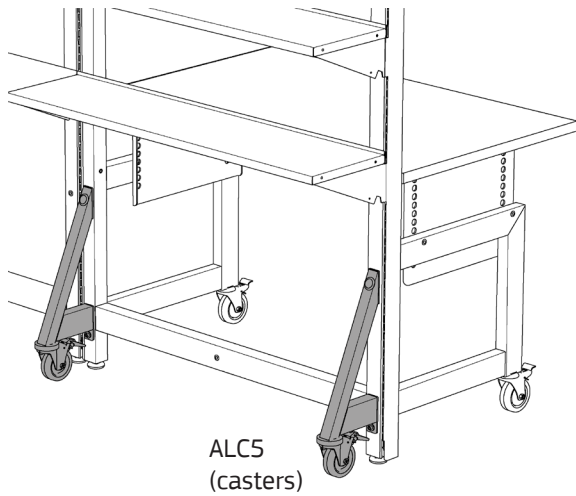
Step 5. Paint Color Code

STANDARD

- | | |
|------------------|-----------------------|
| AW Arctic White | GL Grey Light Smooth |
| AS Argent Silver | GT Grey Light Texture |
| BK Black | NW Neutral White |
| BT Black Texture | ST Sand Texture |

Product Number	Description	Height		Width		Depth		Weight	
		in.	[mm]	in.	[mm]	in.	[mm]	lb.	[kg]
UL2524C	Caster	25 ½	648	1 ½	38	23	584	12	6
UL2524G	Glide	25 ½	648	1 ½	38	23	584	10	5
UL2530C	Caster	25 ½	648	1 ½	38	29	737	14	6
UL2530G	Glide	25 ½	648	1 ½	38	29	737	12	5
UL3024C	Caster	30 ½	775	1 ½	38	23	584	13	6
UL3024G	Glide	30 ½	775	1 ½	38	23	584	11	5
UL3030C	Caster	30 ½	775	1 ½	38	29	737	15	7
UL3030G	Glide	30 ½	775	1 ½	38	29	737	13	6

Rev 04/23/19



A LEG SUPPORTS

- A Legs provide light loading and stabilizing support for the back sides of workstations.
- Legs bolt to connection points on both the front and back sides of UltraFrames and Connector Posts.
- Equipped with a leveling glide or a 4" diameter polypropylene caster with totallock brake (simultaneously locks swivel and wheel).
- A Legs with Casters bolt to UltraFrames with Casters.
- A Legs with Glides bolt to UltraFrames with Glides and Connector Posts.

NOTES

- » A Legs are used for supporting components 15" deep or less when mounted on the back sides of workstations.

How to Specify

Step 1. Product Number

- ALG A Leg Support, Glide
- ALC5 A Leg Support, Caster

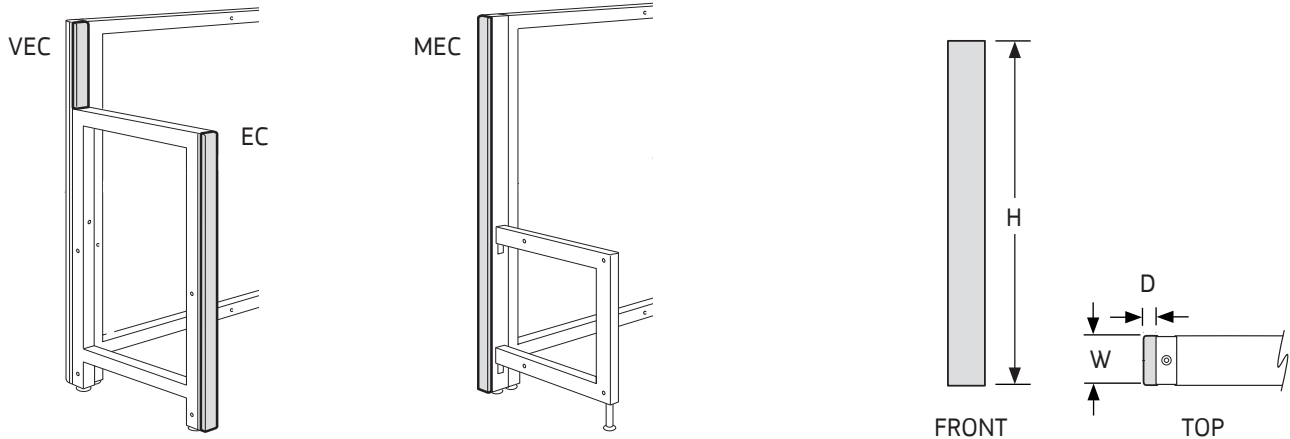
Step 2. Paint Color Code

STANDARD

- AW Arctic White
- AS Argent Silver
- BK Black
- BT Black Texture
- GL Grey Light Smooth
- GT Grey Light Texture
- NW Neutral White
- ST Sand Texture

Product Number	Description	Height		Width		Depth		Weight	
		in.	[mm]	in.	[mm]	in.	[mm]	lb.	[kg]
ALG	Glide	23	584	1 ½	38	8	203	6	2.7
ALC5	Caster	23	584	1 ½	38	8	203	8	3.6

Rev 04/01/19



PANEL END COVERS

Panel End Covers

- Metal Panel End Covers finish exposed hardware on the ends of UltraFrames, Fabric and Laminate Panels.

Mid End Covers

- Metal Mid End Covers finish exposed hardware on the ends of Mid Connector Posts and Vertical Distributors.

Variable Height End Covers

- Plastic Variable Height End Covers finish exposed hardware when connecting UltraFrames or Panels of unequal heights.
- Covers can be field cut to appropriate lengths.

NOTES

- » ErgoStat Riser Frames require Riser Frame End Covers to finish exposing hardware; see page 3.5.

How to Specify

Step 1. Product Number

- EC Panel End Cover
- MEC Mid End Cover
- VEC Variable End Cover

Step 2. Height (Excludes Variable End Cover)

- 48 48" high
- 62 62" high
- 80 80" high

Step 3. Paint Color Code

Panel / Mid End Covers

STANDARD

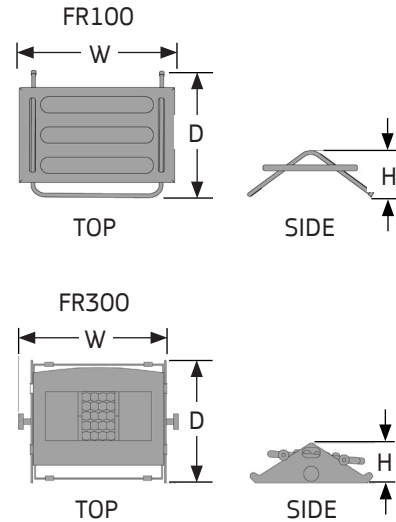
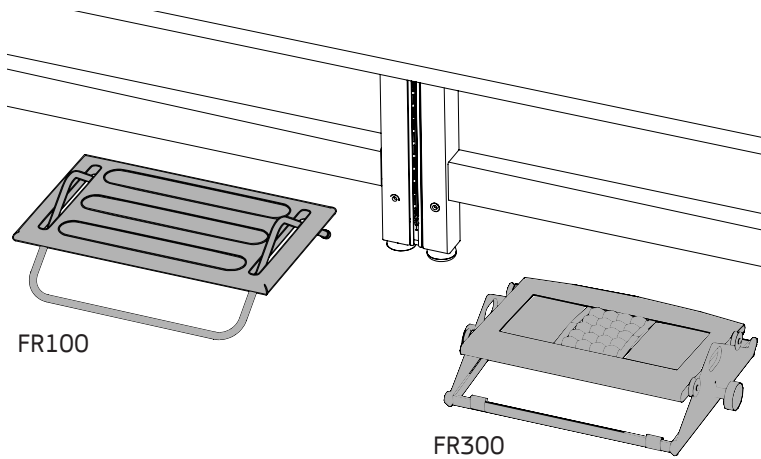
- AW Arctic White
- AS Argent Silver
- BK Black
- BT Black Texture
- GL Grey Light Smooth
- GT Grey Light Texture
- NW Neutral White
- ST Sand Texture

Variable Height End Covers

- BU Black Umber
- GL Grey Light Smooth
- NW Neutral White

Product Number	Description	Height		Width		Depth		Weight	
		in.	[mm]	in.	[mm]	in.	[mm]	lb.	[kg]
EC48	Panel end cover	48	1219	2	51	½	13	3	1.4
EC62	Panel end cover	62	1575	2	51	½	13	4	1.8
EC80	Panel end cover	80	2032	2	51	½	13	5	2.3
MEC48	Mid end cover	48	1219	2	51	½	13	4	1.8
MEC62	Mid end cover	62	1575	2	51	½	13	5	2.3
MEC80	Mid end cover	80	2032	2	51	½	13	6	2.7
VEC	Variable height end cover	32	813	2	51	½	13	3	1.4

Rev 04/01/19



FOOTRESTS

- Portable Footrests support legs and feet when seated.
- Treadles move on the bases with light foot pressure, providing a 15° range of articulation.
- Foot treadles are black with chrome bases. Dissipative finish not available.

How to Specify

Step 1. Product Number

- FR100 Tilting Footrest
- FR300 Foot Machine

Product Number	Description	Height		Width		Depth		Weight	
		in.	[mm]	in.	[mm]	in.	[mm]	lb.	[kg]
FR100	Tilting footrest	3 3/8	86	19	483	11 3/4	298	5	2.3
FR300	Foot machine	3 3/4	95	16	406	11 3/4	298	10	4.5

Rev 11/03/10



TOUCH UP PAINT

- 6 fluid ounce aerosol spray cans allow for color matched touch up of marred painted surfaces.
- Cans cannot be shipped via air transport.

How to Specify

Step 1. Product Number

TP

Step 3. Paint Color Code

AS	Argent Silver
AW	Arctic White
BK	Black
BT	Black Texture
GL	Grey Light
GT	Grey Light Texture
NW	Neutral White
ST	Sand Texture

Product Number	Description	Weight	
		lb.	[kg]
TPAS	Argent Silver	1	0.5
TPAW	Arctic White	1	0.5
TPBK	Black	1	0.5
TPBT	Black Texture	1	0.5
TPGL	Grey Light Smooth	1	0.5
TPGT	Grey Light Texture	1	0.5
TPNW	Neutral White	1	0.5
TPST	Sand Texture	1	0.5

Rev 09/20/17