

MATERIAL HANDLING

Bins and Bin Rails..... 12.2

Dispensing Rails..... 12.3

Subcontainers and Subdividers..... 12.4

Totes..... 12.5

Tote Rails and Bearers..... 12.6

Tote Holders..... 12.7

Mobile Tote Frames..... 12.8

Mobile Carts..... 12.9

Mobile Cart Handles, End Covers..... 12.10

Mobile Cart Base..... 12.11

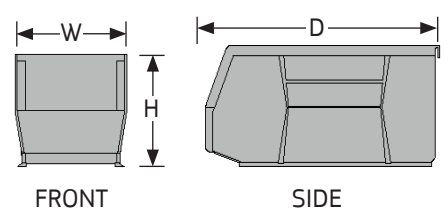
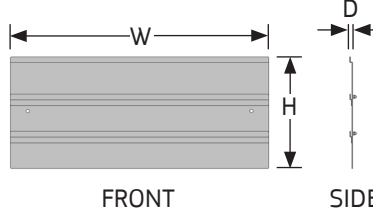
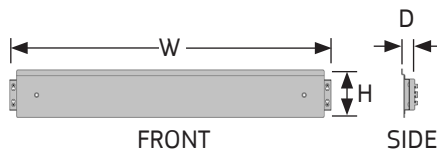
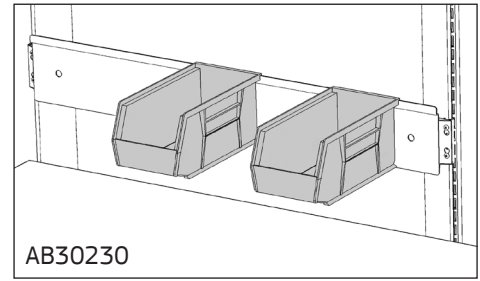
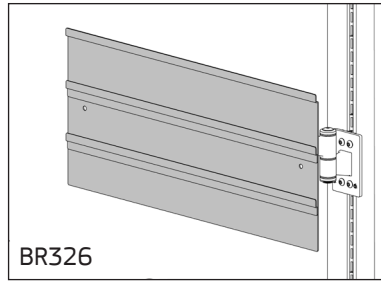
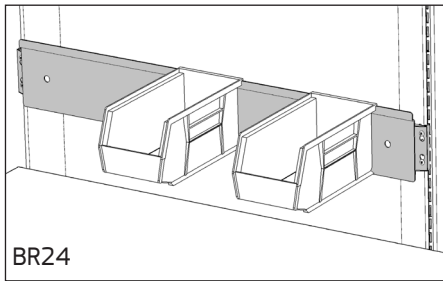
Spool Holders and Spindles..... 12.12

Holders..... 12.13

Overhead Tool Travelers..... 12.14

Supply Dollies..... 12.15





BINS AND BIN RAILS

Bin Rails, Frame Mount

- Bin Rails provide hanging support for generic parts bins.
- Rails mount to frames, adjusting vertically in 1" increments.
- Load capacity 40 lbs. evenly distributed.

Bin Rail, Monitor Arm Mount

- Rails provide articulating support for up to 3 rows of generic parts bins.
- Rails attach to Monitor Arms, sold separately; see pages 11.6-11.8.
- Load capacity 12 lbs. evenly distributed.

Plastic Bins

- Bins provide storage and organization of small items hanging from Bin Rails or can be stacked together.
- Made from a heavy-duty industrial grade polymer.
- Load capacity 30 lbs. Sold in packs of 5.

NOTES

- » Dissipative Bin Rails include an ESD Cable Kit Assembly for grounding.

How to Specify

Step 1. Product Number

- BR Bin Rail, Frame-Mount
- BR326 Bin Rail, 3 Tier, Monitor Arm Mount
- AB30230 Plastic Bin

Step 2. Width (Bin Rail, Frame-Mount only)

- 24 24" wide 30 30" wide 36 36" wide
- 48 48" wide 60 60" wide 72 72" wide

Step 3. Paint Color Code (Bin Rail only)

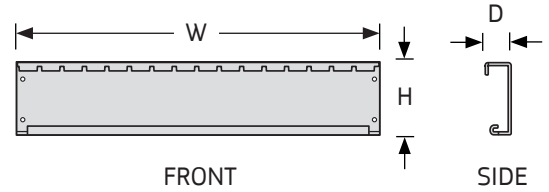
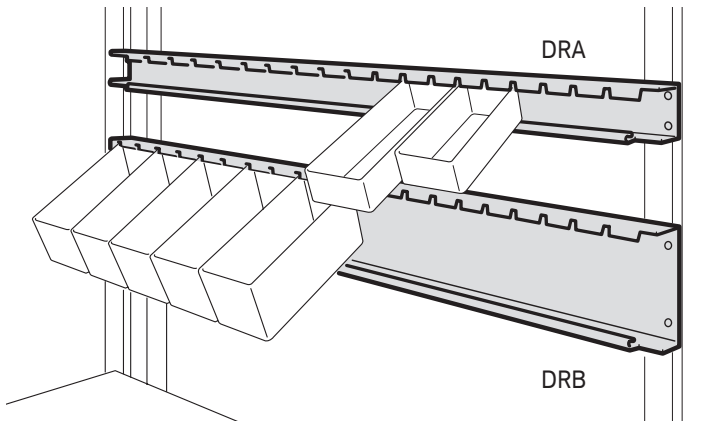
- STANDARD
- AW Arctic White
 - AS Argent Silver
 - BK Black
 - BT Black Texture
 - GL Grey Light Smooth
 - GT Grey Light Texture
 - NW Neutral White
 - ST Sand Texture

Step 4. Plastic Color (Plastic Bins only)

- BL Blue
- CL Clear

Product Number	Description	Height		Width		Depth		Weight	
		in.	[mm]	in.	[mm]	in.	[mm]	lb.	[kg]
BR24	Frame mount	5 ¼	133	24	610	¾	19	5	2
BR30	Frame mount	5 ¼	133	30	762	¾	19	6	3
BR36	Frame mount	5 ¼	133	36	914	¾	19	8	4
BR48	Frame mount	5 ¼	133	48	1219	¾	19	9	4
BR60	Frame mount	5 ¼	133	60	1524	¾	19	11	5
BR72	Frame mount	5 ¼	133	72	1829	¾	19	14	6
BR326	Monitor arm mount, 3-tier	12	305	26	660	½	13	8	4
AB30230BL	Plastic bin, 5-pack, blue	5	127	5 ½	140	10 ⅞	276	½	0.2
AB30230CL	Plastic bin, 5-pack, clear	5	127	5 ½	140	10 ⅞	276	½	0.2

Rev 04/01/19



DISPENSING RAILS

- Dispensing Rails provide hanging support for Symbiote Subcontainers.
- Subcontainers hang at a 20° slope when mounted on Dispensing Rails.
- A-size Sub-containers hang on A-size Dispensing Rails and B-size Subcontainers hang on B-size rails.
- Dissipative Dispensing Rails include an ESD Cable Kit Assembly for grounding.
- Load capacity 50 lbs. evenly distributed.

NOTES

- » Subcontainers sold separately; see page 12.4.
- » Description below denotes quantity of Subcontainers possible per Dispensing Rail.

How to Specify

Step 1. Product Number

- DRA** Dispensing Rail, A-Size
- DRB** Dispensing Rail, B-Size

Step 2. Width

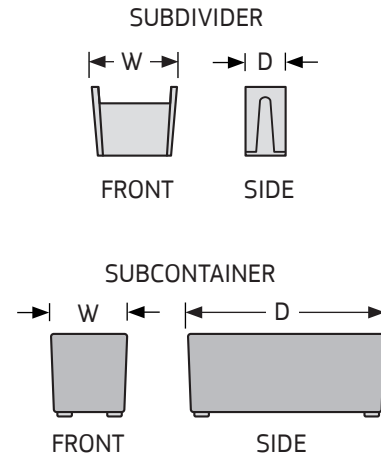
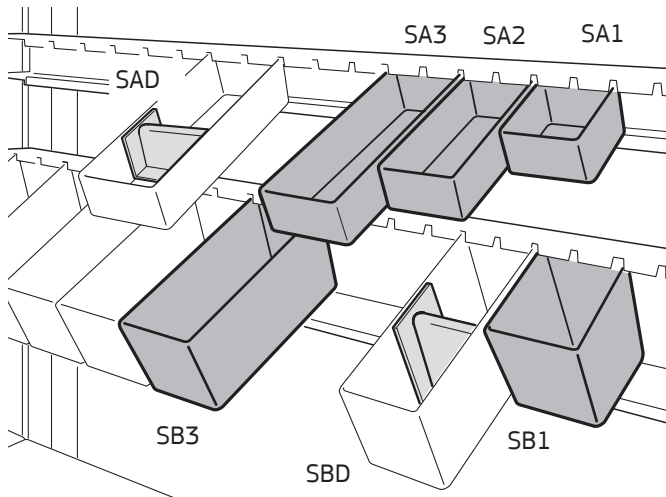
- 24** 24" wide **30** 30" wide **36** 36" wide
- 48** 48" wide **60** 60" wide

Step 3. Paint Color Code

- STANDARD
- AW** Arctic White **GL** Grey Light Smooth
 - AS** Argent Silver **GT** Grey Light Texture
 - BK** Black **NW** Neutral White
 - BT** Black Texture **ST** Sand Texture

Product Number	Description	Height		Width		Depth		Weight	
		in.	[mm]	in.	[mm]	in.	[mm]	lb.	[kg]
DRA24	A-size, 5 subcontainers	3 ¼	83	24	610	1 ¼	32	5	2
DRA30	A-size, 6 subcontainers	3 ¼	83	30	762	1 ¼	32	6	3
DRA36	A-size, 7 subcontainers	3 ¼	83	36	914	1 ¼	32	8	4
DRA48	A-size, 10 subcontainers	3 ¼	83	48	1219	1 ¼	32	10	5
DRA60	A-size, 12 subcontainers	3 ¼	83	60	1524	1 ¼	32	13	6
DRB24	B-size, 5 subcontainers	6	152	24	610	2 ¼	57	6	3
DRB30	B-size, 6 subcontainers	6	152	30	762	2 ¼	57	8	4
DRB36	B-size, 7 subcontainers	6	152	36	914	2 ¼	57	9	4
DRB48	B-size, 10 subcontainers	6	152	48	1219	2 ¼	57	12	5
DRB60	B-size, 12 subcontainers	6	152	60	1524	2 ¼	57	15	7

Rev 04/01/19



SUBCONTAINERS AND SUBDIVIDERS

Subcontainers

- Sold individually, subcontainers provide storage and organization of small items.
- Subcontainers hang from Dispensing Rails at a 20° slope or lay flat in Totes and Plan Drawers for organization.
- A-size Subcontainers are used with A-size Dispensing Rails and A-size Totes.
- B-size Subcontainers are used with B-size Dispensing Rails and B-size Totes.

Subdividers

- Subdividers divide Subcontainers laterally.
- A-size Subdividers are used with A-size Subcontainers.
- B-size Subdividers are used with B-size Subcontainers.
- Sold in 10 unit packs.

How to Specify

Step 1. Product Number

- SA Subcontainer, A-Size, 2 ¼" H
- SB Subcontainer, B-Size, 5 ¼" H
- SAD Subdivider, A-Size, 10 pack
- SBD Subdivider, B-Size, 10 pack

Step 2. Depth (Subcontainers only)

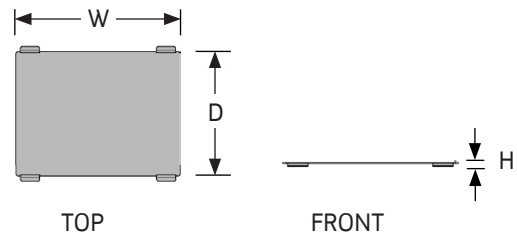
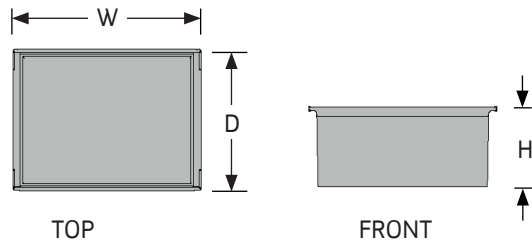
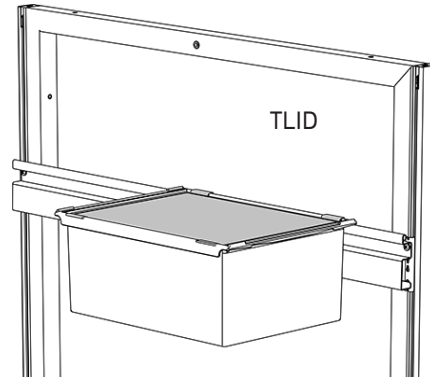
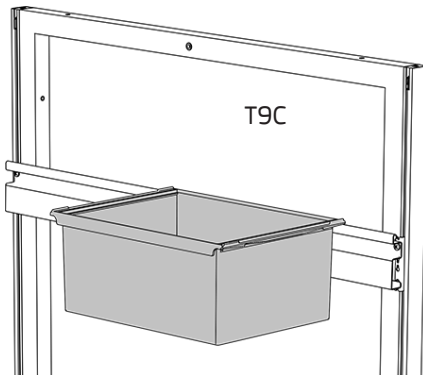
- 1 4 ¼" deep
- 2 9 ¼" deep (not offered for SB)
- 3 13 ¾" deep

Step 3. Color Code

- GY Grey
- LU Neutral White

Product Number	Description	Height		Width		Depth		Weight	
		in.	[mm]	in.	[mm]	in.	[mm]	lb.	[kg]
SA1	Subcontainer A	2 ¼	57	4 ½	114	4 ½	114	¼	0.1
SA2	Subcontainer A	2 ¼	57	4 ½	114	9 ¼	235	¼	0.1
SA3	Subcontainer A	2 ¼	57	4 ½	114	13 ¾	349	½	0.2
SB1	Subcontainer B	5 ¼	133	4 ½	114	4 ½	114	½	0.2
SB3	Subcontainer B	5 ¼	133	4 ½	114	13 ¾	349	¾	0.3
SAD	Subdivider A, 10 pack	1 ¾	44	4 ¼	108	2	51	1	0.5
SBD	Subdivider B, 10 pack	4	102	4 ¼	108	2	51	1	0.5

Rev 04/26/16



TOTES

- Totes provide storage and a means of transportation for materials in workstations.
- Totes hang from Tote Rails, mount beneath surfaces as drawers using Tote Bearers or slide into Tote Holders and Mobile Tote Frames for use as drawers.
- Load capacity 50 lbs. when used with Tote Rails and 25 lbs. when used with Tote Bearers, Tote Holders and Mobile Tote Frames.
- Totes are made with Zylar®650 an impact modified styrene acrylic copolymer which provides a balance of clarity and toughness.
- Tote material meets USP XXIII specifications for Class VI plastics
- Tote material is UL 94 HB approved and is recyclable.
- Finish is Ice.

NOTES

- » Tote Rails, Tote Bearers, Tote Holders and Mobile Tote Frames sold separately; see pages 12.6 - 12.8.

How to Specify

Step 1. Product Number

- T Tote
- TLID Tote Lid

Step 2. Height (Tote only)

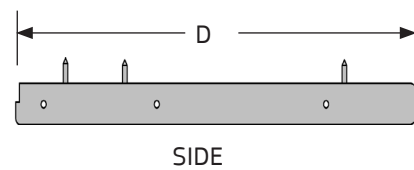
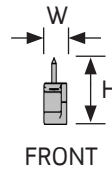
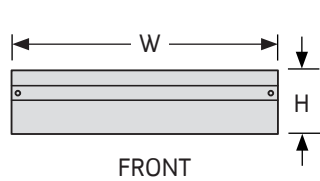
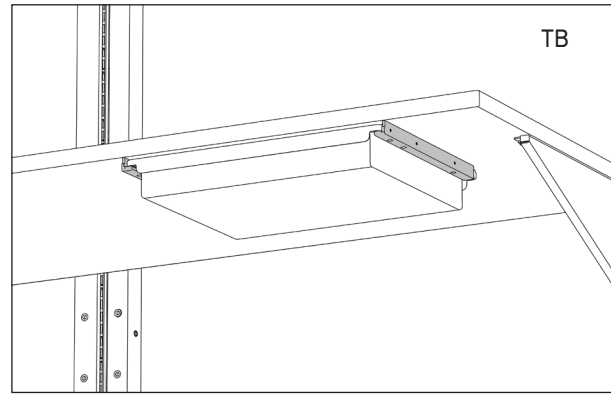
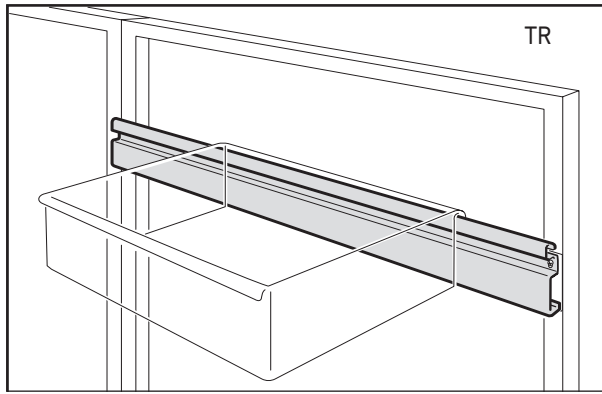
- 3A 3" high
- 6B 6" high
- 9C 9" high

Step 3. Color Code

- CE Ice

Product Number	Description	Height		Width		Depth		Weight	
		in.	[mm]	in.	[mm]	in.	[mm]	lb.	[kg]
T3ACE	A Tote	3	76	20 5/8	524	15 1/2	394	3	1.4
T6BCE	B Tote	6	152	20 5/8	524	15 1/2	394	4	1.8
T9CCE	C Tote	9	229	20 5/8	524	15 1/2	394	5	2.3
TLIDCE	Tote lid	1 1/2	38	18 7/8	479	14 3/8	365	1	0.5

Rev 10/27/20



TOTE RAILS AND BEARERS

Tote Rails

- Tote Rails provide hanging support for Symbiote Totes, Rail-Mount Tote Holders and Co/Struc® products.
- Load capacity 200 lbs. evenly distributed. Specify color and width.

Tote Bearers, Pair

- Tote Bearers are compatible with Symbiote Totes and Co/Struc® products (drawers).
- Bearers include an integral stop to prevent Totes from extending out of the track.
- Sold as a pair. Dark Tone plastic finish.

NOTES

» Symbiote Totes sold separately; see page 12.5.

How to Specify

Step 1. Product Number

- TR Tote Rail
- TBDT Tote Bearer, Pair

Step 2. Width (Tote Rail only)

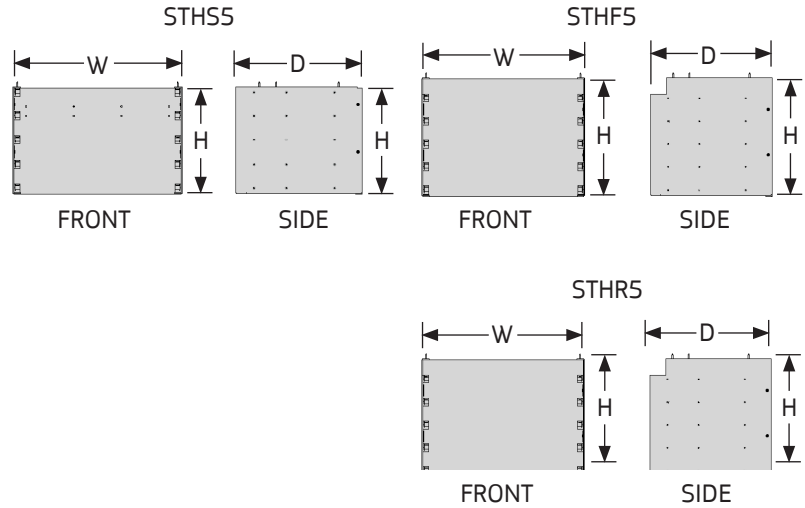
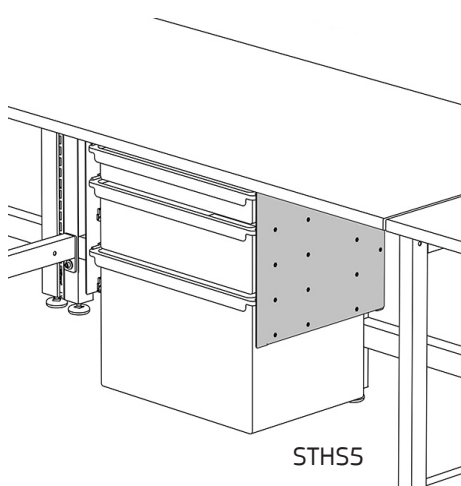
- 24 24" wide 30 30" wide 36 36" wide
- 48 48" wide 60 60" wide

Step 3. Paint Color Code (Tote Rail only)

- AW Arctic White GL Grey Light Smooth
- AS Argent Silver GT Grey Light Texture
- BK Black NW Neutral White
- BT Black Texture ST Sand Texture

Product Number	Description	Height		Width		Depth		Weight	
		in.	[mm]	in.	[mm]	in.	[mm]	lb.	[kg]
TR24	Tote rail	4 ¾	121	24	610	1 ¼	32	6	2.7
TR30	Tote rail	4 ¾	121	30	762	1 ¼	32	8	3.6
TR36	Tote rail	4 ¾	121	36	914	1 ¼	32	10	4.5
TR48	Tote rail	4 ¾	121	48	1219	1 ¼	32	12	5.4
TR60	Tote rail	4 ¾	121	60	1524	1 ¼	32	15	6.8
TBDT	Tote bearer, pair, dark tone	¾	19	1	25	14 ¼	362	1	0.5

Rev 04/01/19



TOTE HOLDERS

- Tote Holders provide storage for Symbiote Totes below a surface, 4-Legged Table or hanging on a Tote Rail.
- Steel unit includes five slots in 3" intervals for Tote storage.
- The Rail-Mount Tote Holder also includes a 1" high standard laminate top with matching vinyl edge-band.
- Load capacity 125 lbs. total; maximum capacity 25 lbs. per Tote.

NOTES

- » Rail-Mount Tote Holder requires two Tote Rails mounted vertically. Sold separately; see page 12.6.
- » Totes sold separately; see page 12.5.

How to Specify

Step 1. Product Number

- STHS5 Tote Holder, Surface Mount
- STHR5 Tote Holder, Rail Mount
- STHF5 Tote Holder, 4-Legged Table Mount

Step 2. Paint Color Code

- AW Arctic White
- AS Argent Silver
- BK Black
- BT Black Texture
- GL Grey Light Smooth
- GT Grey Light Texture
- NW Neutral White
- ST Sand Texture

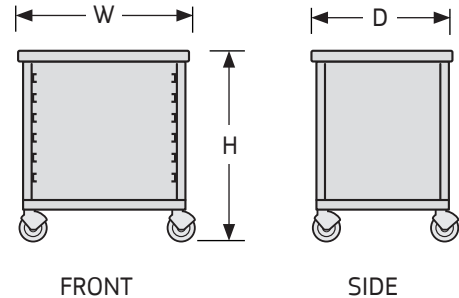
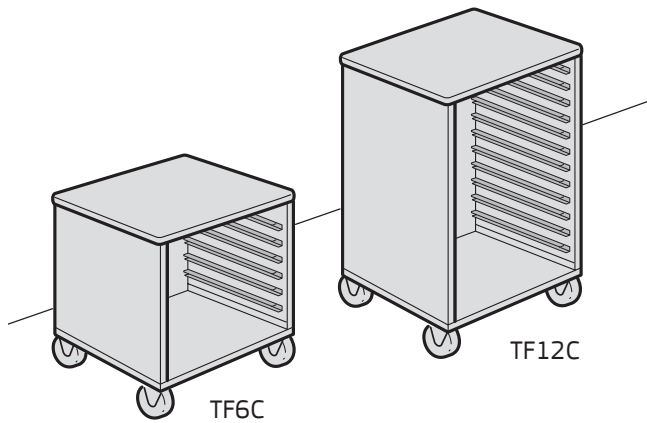
Step 3. Laminate Color (Rail-Mount only)

Select one for laminate + matching edge-band

- BK Black
- GF Grey Fleck
- GL Grey Light
- NW Neutral White
- SA Sand
- SF Sand Fleck
- WF White Fleck

Product Number	Description	Height		Width		Depth		Weight	
		in.	[mm]	in.	[mm]	in.	[mm]	lb.	[kg]
STHS5	Surface-mount	13 3/8	340	21 1/4	540	15 7/8	403	25	11.3
STHR5	Rail-mount	14 3/8	365	21 1/4	540	16 3/4	425	38	17.2
STHF5	4-Legged Table mount	15 3/8	391	21 1/4	540	15 7/8	403	27	12.2

Rev 04/01/19



MOBILE TOTE FRAMES

- Tote Frames, available in standard and dissipative* laminates, provide mobile storage for Symbiote Totes.
- Steel unit has a 1" high standard or dissipative laminate top with matching vinyl Edge-band, four 3" twin-wheel braking casters and Tote Slots placed at 3" intervals.
- Six-slot Tote Frames provide 18" of usable height; 8 slot-frames provide 24"; and, 12 slot-frames provide 36".
- * Nevamar® Static Dissipative Laminate (SDL) Surfaces have a Point to point and point to ground resistance of 1 x 10⁶ to 1 x 10⁹ ohms @ 10-60% relative humidity. Conforms to ESD Association Standard ESD-S4.1.
- Dissipative surfaces include a Laminate Grounding Terminal Kit and Ground Chain.
- Load capacity 250 lbs. per frame; maximum capacity 25 lbs. per individual Tote.

NOTES

- » Symbiote Totes sold separately; see page 12.5.
- » If either paint or laminate is dissipative, use the dissipative price.
- » Other dissipative laminates available upon request; consult factory.
- » Customers are responsible for specifying ESD surface requirements; corporate ESD standards must be consulted prior to ordering.

How to Specify

Step 1. Product Number

TF Mobile Tote Frame

Step 2. Slots

6C 6-slot 8C 8-slot 12C 12-slot

Step 3. Paint Color Code

STANDARD

AW Arctic White	GL Grey Light Smooth
AS Argent Silver	GT Grey Light Texture
BK Black	NW Neutral White
BT Black Texture	ST Sand Texture

Step 4. Laminate color code

STANDARD

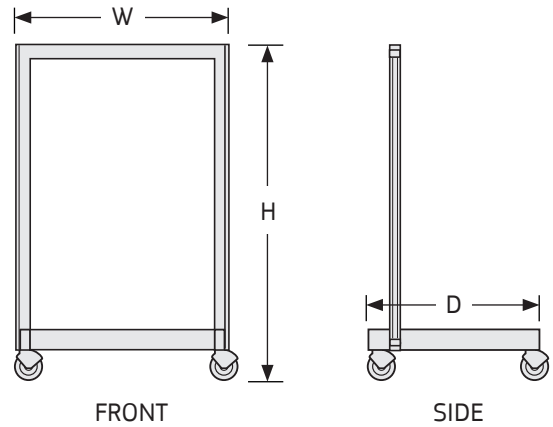
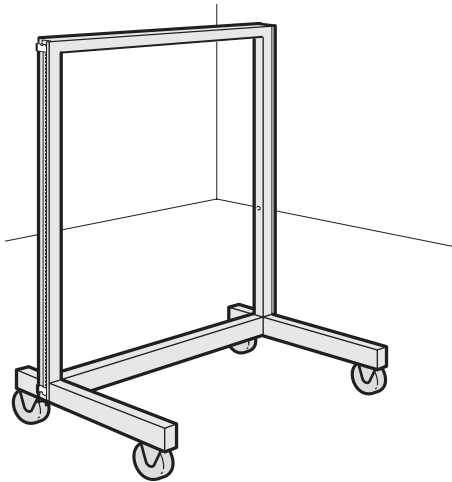
BK Black	SA Sand
GF Grey Fleck	SF Sand Fleck
GL Grey Light	WF White Fleck
NW Neutral White	

DISSIPATIVE

DAW Dissipative Arctic White
 DBK Dissipative Black
 DG Dissipative Grey Light
 DNW Dissipative Neutral White
 DS Dissipative Sand

Product Number	Description	Height		Width		Depth		Weight	
		in.	[mm]	in.	[mm]	in.	[mm]	lb.	[kg]
TF6C	6-slot	23 ½	597	22 ½	572	16 ½	419	36	16.3
TF8C	8-slot	29 ½	749	22 ½	572	16 ½	419	56	25.4
TF12C	12-slot	41 ½	1054	22 ½	572	16 ½	419	77	34.9

Rev 04/01/19



MOBILE CARTS

- Mobile Cart functions as a single-sided mobile workstation; or as an assembly process or rack cart.
- 2" steel frame provides structural support for and permits vertical adjustment of components in 1" increments. 52" high carts provide 43" of usable hanger track; 66" high carts provide 57".
- Equipped with connection points for end mounting of Monitor Arms and attachment points for ESD grounding hardware.
- Includes 4" diameter polypropylene casters with totalock brakes (simultaneously locks the swivel and wheel).
- Dissipative Cart includes a Ground Chain.
- Load capacity 500 lbs. evenly distributed.

NOTES

- » Maximum component depth is 24 inches.
- » Mount components only on the front side of Mobile Carts; plastic tubing inserted in the back side prevents mounting of components.
- » Optional Mobile Cart Handles and End Covers to finish exposed hardware available. Sold separately; see page 12.10.

How to Specify

Step 1. Product Number

MCS Mobile Cart

Step 2. Height

52 52" high 66 66" high

Step 3. Width

24 24" width 30 30" width

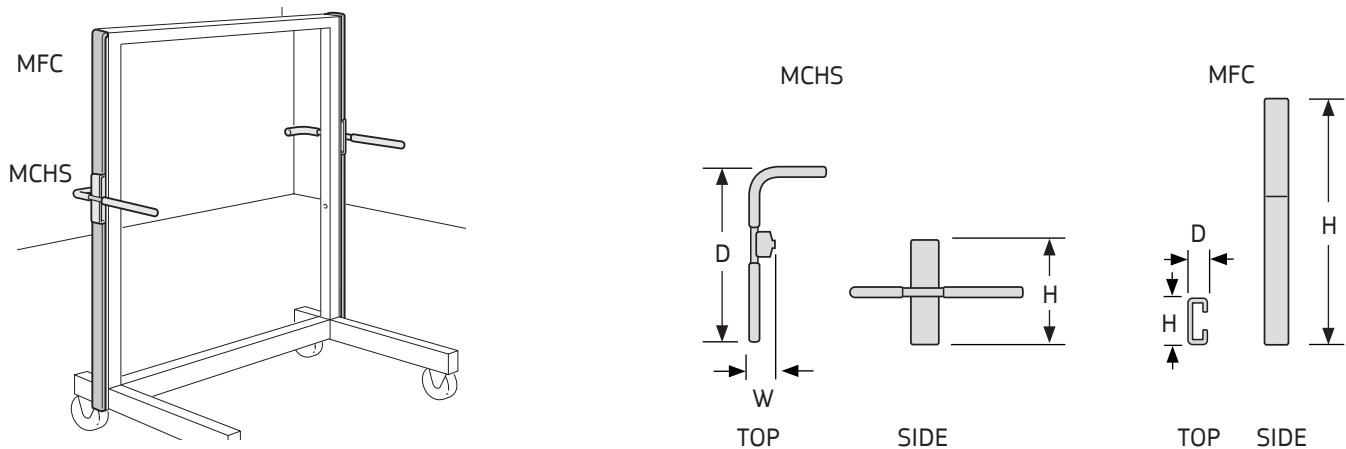
Step 4. Paint Color Code

STANDARD

- AW Arctic White
- AS Argent Silver
- BK Black
- BT Black Texture
- GL Grey Light Smooth
- GT Grey Light Texture
- NW Neutral White
- ST Sand Texture

Product Number	Description	Height		Width		Depth		Weight	
		in.	[mm]	in.	[mm]	in.	[mm]	lb.	[kg]
MCS5224	Mobile cart	52	1321	24	610	29 ½	749	60	27.2
MCS5230	Mobile cart	52	1321	30	762	29 ½	749	64	29.0
MCS6624	Mobile cart	66	1676	24	610	29 ½	749	67	30.4
MCS6630	Mobile cart	66	1676	30	762	29 ½	749	71	32.2

Rev 04/01/19



MOBILE CART HANDLES, END COVERS

Mobile Cart Handles

- Mobile Cart Handles bolt to the ends of Mobile Carts and are composed of 1" diameter steel tubing covered with black foam grip.
- Handles mount in one vertical position only when used in conjunction with Mobile Cart End Covers.
- Handles are adjustable in 6" increments when not used with other components.
- Sold in pairs.
- Finish is Black Texture.

Mobile Cart End Covers

- Metal covers finish exposed hardware on the ends of Mobile Carts when Mobile Cart Handles are used.
- Includes four metal covers to finish the exposed hardware above and below the handles on each side of the cart, as well as attachment hardware.
- Finish must be specified.

NOTES

- » To finish exposed hardware on the ends of Mobile Carts when handles are not used, use Panel End Covers. 52" high carts require two EC48 and 66" high carts require two EC62. Sold separately; see page 2.12.
- » Tote drawers available; consult factory.

How to Specify

Step 1. Product Number

- MCHSBT Mobile Cart Handles
- MFC Mobile Cart End Covers with handles
- EC End Cover (no handles)

Step 2. Height (MFC only)

- 52 52" high 66 66" high

Step 3. Height (EC only)

- 48 48" high 62 62" high

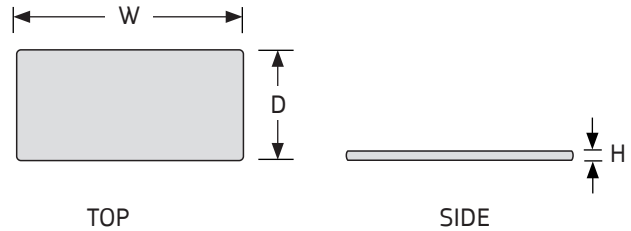
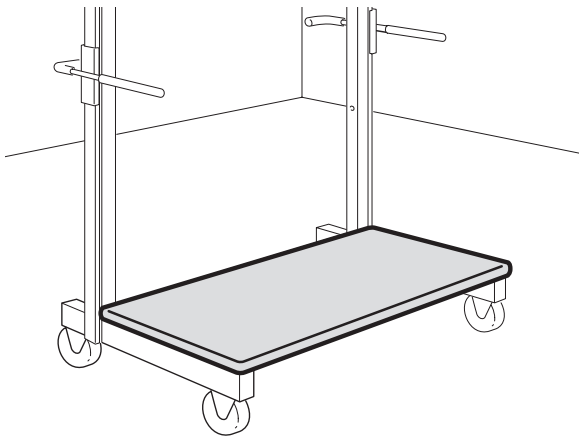
Step 4. Paint Color Code

STANDARD

- AW Arctic White
- AS Argent Silver
- BK Black
- BT Black Texture
- GL Grey Light Smooth
- GT Grey Light Texture
- NW Neutral White
- ST Sand Texture

Product Number	Description	Height		Width		Depth		Weight	
		in.	[mm]	in.	[mm]	in.	[mm]	lb.	[kg]
MCHSBT	Handle, pair	7	178	2 ½	64	16	406	6	2.7
MFC52	End cover, pair with handle cutouts	40	1016	2	51	½	13	2	0.9
MFC66	End cover, pair with handle cutouts	54	1372	2	51	½	13	3	1.4
EC48	End cover	48	1219	2	51	½	13	3	1.4
EC62	End cover	62	1575	2	51	½	13	4	1.8

Rev 04/01/19



MOBILE CART BASE

- Available in standard and dissipative laminates*, the 1¼" high base attaches to Mobile Cart feet with hook and loop strips.
- Base has square corners with matching edge banding.
- *Nevamar® Static Dissipative Laminate (SDL) Surfaces have a Point to point and point to ground resistance of 1 x 10⁶ to 1 x 10⁹ ohms @ 10-60% relative humidity. Conforms to ESD Association Standard ESD-S4.1.
- Dissipative surfaces include a Laminate Grounding Terminal Kit and Ground Chain.
- Load capacity 200 lbs. evenly distributed.

NOTES

- » Mobile Carts sold separately; see page 12.9.
- » Other dissipative laminates available upon request; consult factory.
- » Customers are responsible for specifying ESD surface requirements; corporate ESD standards must be consulted prior to ordering.

How to Specify

Step 1. Product Number

MFB Mobile Cart Base

Step 2. Laminate Type

LT Standard **DT** Dissipative

Step 3. Width

24 24" width **30** 30" width

Step 4. Laminate color code

STANDARD

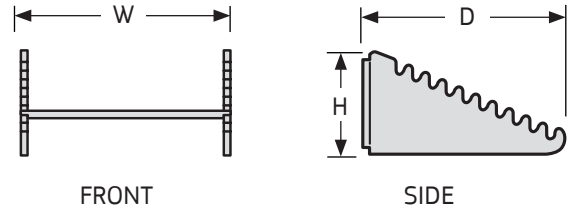
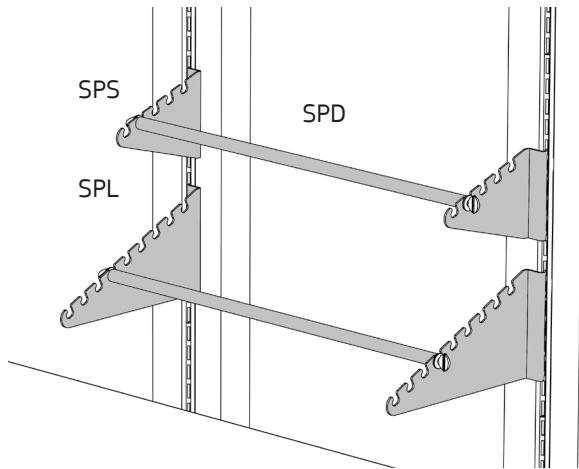
AW Arctic White	NW Neutral White
BK Black	SA Sand
GF Grey Fleck	SF Sand Fleck
GL Grey Light	WF White Fleck

DISSIPATIVE

DBK Dissipative Black
DG Dissipative Grey
DNW Dissipative Neutral White
DS Dissipative Sand
DW Dissipative White

Product Number	Description	Height		Width		Depth		Weight	
		in.	[mm]	in.	[mm]	in.	[mm]	lb.	[kg]
MFBLT24	Standard laminate	1 ¼	32	24	610	24	610	20	9.1
MFBLT30	Standard laminate	1 ¼	32	30	762	24	610	24	10.9
MFBDT24	Dissipative laminate	1 ¼	32	24	610	24	610	20	9.1
MFBDT30	Dissipative laminate	1 ¼	32	30	762	24	610	24	10.9

Rev 04/01/19



SPOOL HOLDERS AND SPINDLES

- Spool Holders display spooled material such as labels, wires and cables in workstations.
- Includes one 5/8" diameter spindle and two brackets.
- Load capacity 100 lbs. evenly distributed.
- Bracket finish is Black Texture.

NOTES

- » Additional spindles can be attached to a single Spool Holder. Order separately; see below.

How to Specify

Step 1. Product Number

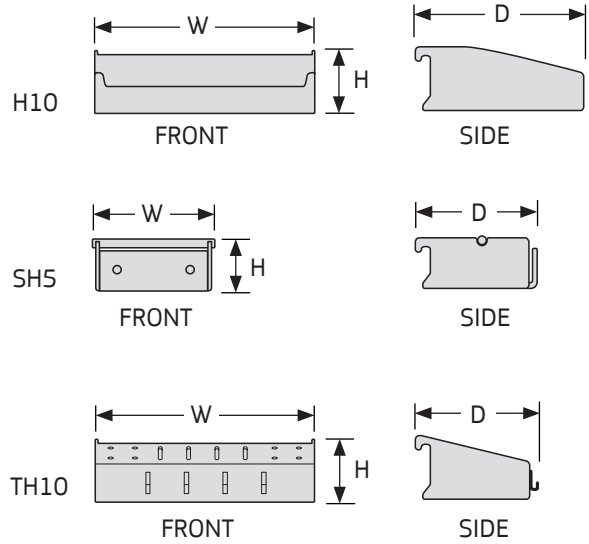
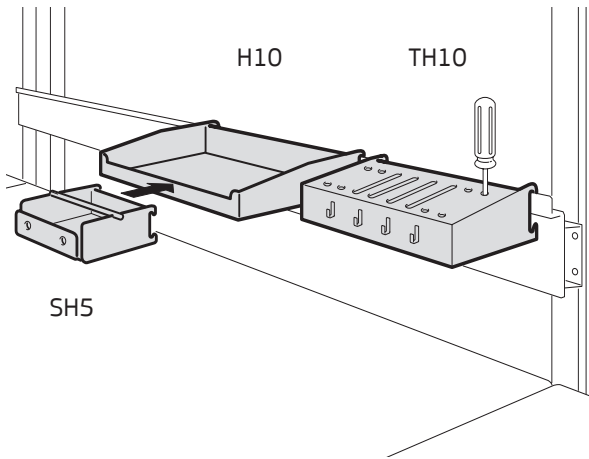
- SPS Spool Holder, Short
- SPL Spool Holder, Long
- SPD Spindle

Step 2. Width

- 24 24" wide 30 30" wide 36 36" wide
- 48 48" wide

Product Number	Description	Height		Width		Depth		Weight	
		in.	[mm]	in.	[mm]	in.	[mm]	lb.	[kg]
SPS24BT	Frame mount, short	4 ½	114	22	559	6	152	3	1.4
SPS30BT	Frame mount, short	4 ½	114	28	711	6	152	3	1.4
SPS36BT	Frame mount, short	4 ½	114	34	864	6	152	3 ½	1.6
SPS48BT	Frame mount, short	4 ½	114	46	1168	6	152	4 ½	2.0
SPL24BT	Frame mount, long	5 ½	140	22	559	9 ¾	248	4	1.8
SPL30BT	Frame mount, long	5 ½	140	28	711	9 ¾	248	4	1.8
SPL36BT	Frame mount, long	5 ½	140	34	864	9 ¾	248	4 ½	2.0
SPL48BT	Frame mount, long	5 ½	140	46	1168	9 ¾	248	5 ½	2.5
SPD24	Spindle	5/8	16	22	559	5/8	16	¼	0.1
SPD30	Spindle	5/8	16	28	711	5/8	16	¼	0.1
SPD36	Spindle	5/8	16	34	864	5/8	16	¼	0.1
SPD48	Spindle	5/8	16	46	1168	5/8	16	¼	0.1

Rev 11/13/13



HOLDERS

- Holders provide storage for small parts, tools, solder and work aids in workstations.
- Holders hang from Bin Rails.
- Tool Holders and Solder Holders hang from Bin Rails or from the front of Holders.
- Solder Holders include a spindle.

NOTES

- » Bin Rails sold separately; see page 12.2.

How to Specify

Step 1. Product Number

- H10 Holder
- SH5 Solder Holder
- TH10 Tool Holder

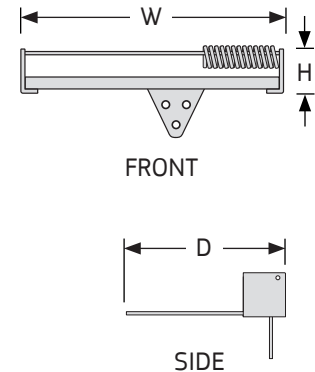
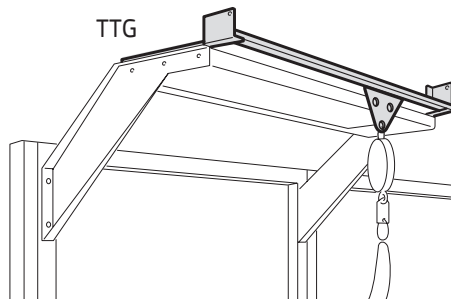
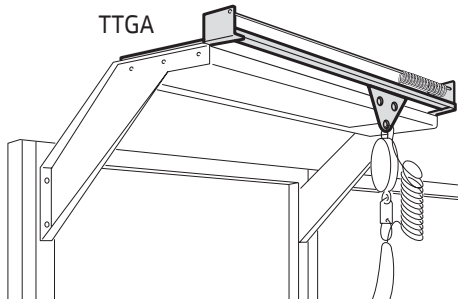
Step 2. Paint Color Code

STANDARD

- AW Arctic White
- AS Argent Silver
- BK Black
- BT Black Texture
- GL Grey Light Smooth
- GT Grey Light Texture
- NW Neutral White
- ST Sand Texture

Product Number	Description	Height		Width		Depth		Weight	
		in.	[mm]	in.	[mm]	in.	[mm]	lb.	[kg]
H10	Holder	2 ½	64	10	254	5 ¾	146	1	0.5
SH5	Solder holder	2	51	4	102	3 ½	89	1	0.5
TH10	Tool holder	2	51	9	229	4	102	1	0.5

Rev 04/01/19



OVERHEAD TOOL TRAVELERS

- Tool Travelers suspend small hand tools above workstations providing 8" of fore and aft adjustment.
- Travelers attach to the top of Cantilever Light Brackets with or without the use of Task Lights.
- Units without air include a rail, one car and two end supports.
- Units with air include a rail, one car with air adapter ending in 1/4" FPT, two end supports, a 3/8" push-in fitting for air feed of 1/2" OD tube and a 1/4" ID coiled poly tube.
- Load capacity 50 lbs.
- Finish is Black Texture.

NOTES

- » Cantilever Light Brackets sold separately; see page 8.8.
- » Additional Tool Traveler Cars sold separately; see below. Two cars maximum per rail.
- » Tool Traveler Cars with Air include all parts needed to add the car to a Tool Traveler in the field.
- » Compressed Air Coil Tube Kits (CAC) to connect the air tool to the car sold separately; see page 8.23.

How to Specify

Step 1. Product Number

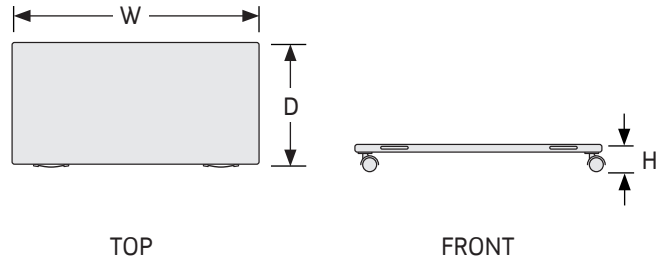
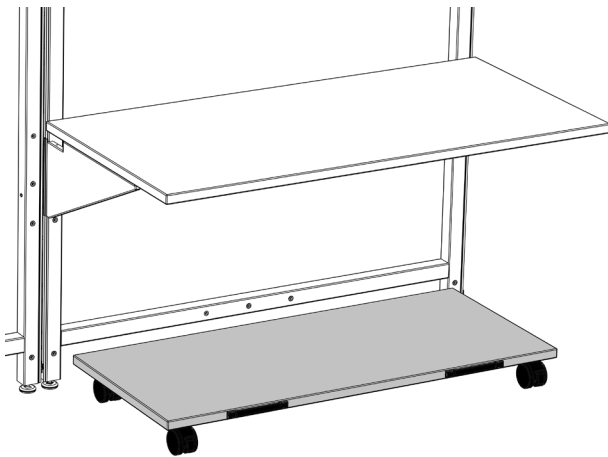
- TTG Tool Traveler without air
- TCGA Tool Traveler with air

Step 2. Width (Tool Traveler)

- 48 48" wide
- 60 60" wide
- 72 72" wide

Product Number	Description	Height		Width		Depth		Weight	
		in.	[mm]	in.	[mm]	in.	[mm]	lb.	[kg]
TTG48BT	Without air	4 1/2	114	48	1219	12 1/2	318	6	2.7
TTG60BT	Without air	4 1/2	114	60	1524	12 1/2	318	7	3.2
TTG72BT	Without air	4 1/2	114	72	1829	12 1/2	318	8	3.6
TTGA48BT	With air	4 1/2	114	48	1219	12 1/2	318	8	3.6
TTGA60BT	With air	4 1/2	114	60	1524	12 1/2	318	9	4.1
TTGA72BT	With air	4 1/2	114	72	1829	12 1/2	318	10	4.5
TCGBT	Car without air	4 1/2	114	5 1/2	140	1/4	6	1	0.5
TCGABT	Car with air	4 1/2	114	5 1/2	140	1/4	6	2	0.9

Rev 01/29/09



SUPPLY DOLLIES

- Supply Dollies provide mobile storage for general supply items, reagents and printers.
- Includes a 1¼" high laminated base with matching 3MM PVC Edge-band, 3" twin wheel braking casters and handles on the front face.
- Load capacity 250 lbs. evenly distributed.

NOTES

» Dollies are sized to fit between two C Leg Supports on a workstation.

How to Specify

Step 1. Product Number

SDOL24

Step 2. Width

18	18" width	24	24" width	30	30" width
42	42" width	54	54" width	66	66" width

Step 3. Laminate Color Code

AW	Arctic White	NW	Neutral White
BK	Black	SA	Sand
GF	Grey Fleck	SF	Sand Fleck
GL	Grey Light	WF	White Fleck

Product Number	Description	Height		Width		Depth		Weight	
		in.	[mm]	in.	[mm]	in.	[mm]	lb.	[kg]
SDOL2418	Supply Dolly	4 ¾	121	18	457	24	610	14	6
SDOL2424	Supply Dolly	4 ¾	121	24	610	24	610	19	9
SDOL2430	Supply Dolly	4 ¾	121	30	762	24	610	24	11
SDOL2442	Supply Dolly	4 ¾	121	42	1067	24	610	33	15
SDOL2454	Supply Dolly	4 ¾	121	54	1372	24	610	43	20
SDOL2466	Supply Dolly	4 ¾	121	66	1676	24	610	52	24

Rev 01/28/21