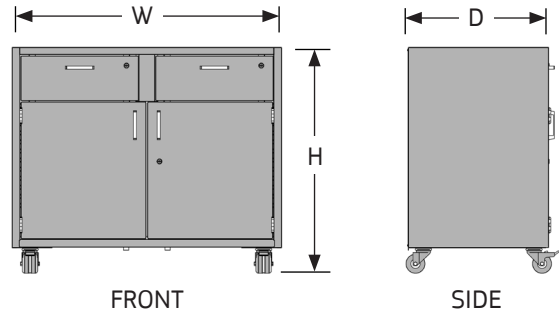
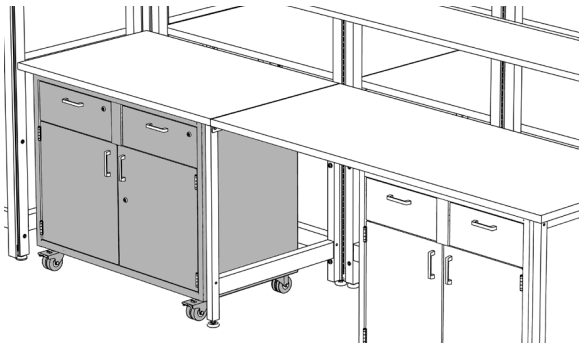


LAB PRODUCTS

Mobile Base Cabinets, Double Drawer & Door.....	10.2	Lab Legs	10.29
Fixed Base Cabinets, Double Drawer & Door.....	10.3	Lab Legs, ADA.....	10.30
Mobile Base Cabinets, Single Drawer & Door.....	10.4	Adjacent Brackets	10.31
Fixed Base Cabinets, Single Drawer & Door.....	10.5	Surface Reinforcement Bars.....	10.32
Suspended Base Cabinets, Drawer/Door.....	10.6	Phenolic Lab Surfaces	10.33
Mobile Base Cabinets, Single Door.....	10.7	Epoxy Lab Surfaces.....	10.34
Fixed Base Cabinets, Single Door.....	10.8	Greenstone Epoxy Lab Surfaces.....	10.35
Mobile Base Cabinets, Double Door.....	10.9	Lab Leg Panels.....	10.36
Fixed Base Cabinets, Double Door.....	10.10	Lab Leg Panels, ADA.....	10.37
Suspended Base Cabinets, Single & Dbl. Door.....	10.11	Lab Cabinet Fillers.....	10.38
Fixed Base Cabinets, Open Unit.....	10.12	Lab Leg Fillers	10.40
Base Cabinets, Sitting Height, Double Drawer	10.13	Sloped Top Covers.....	10.41
Base Cabinets, Sitting Height, 3-Drawer.....	10.14	Drain Board, Frame-Mount.....	10.42
Suspended Base Cabinets, Drawers	10.15	Drain Board, Wall-Mount.....	10.43
4-Legged Table Cabinet Mounting Brackets.....	10.16	Sink, Undermount.....	10.44
Base Cabinets, Standing Height 3-Drawer.....	10.17	Sink, Drop-In.....	10.45
Base Cabinets, Standing Height 4-Drawer.....	10.18	Sink Faucets, Undermount and Drop-In.....	10.46
Bottle Drawer Cabinets.....	10.19	Eyewash Stations.....	10.47
Sink Base Cabinet, Standard	10.20	Ball Valves	10.48
Sink Base Cabinet, ADA, Standard.....	10.21	Vertical Utility Chase, ErgoStat Riser Frame	10.49
Sink Base Cabinet, ADA, Door To Floor.....	10.22	Vertical Utility Chase, UltraFrame.....	10.50
Wall Cases, Glass Doors	10.23	Ceiling Service Panel, Quick Disconnect.....	10.51
Wall Cases, Solid Doors.....	10.24		
Floor Cases.....	10.25		
Wall Strips.....	10.26		
Cantilever Brackets	10.27		
Lab Height B Supports.....	10.28		





MOBILE BASE CABINETS, DOUBLE DRAWER & DOOR

- Built to SEFA standards, Cabinets are constructed of welded 18 and 20 gauge steel with a chemical resistant epoxy powder coat paint finish.
- Drawers have full-extension ball bearing, plated drawer slides.
- Doors have 5-knuckle stainless steel institutional type hinges.
- Sound deadened doors and drawers have "double pan" construction with a bar pull.
- A removable bottom pan and a single full-depth adjustable shelf is included with each cabinet. Additional shelves available; consult factory.
- Available with or without locks. Locking cabinets with multiple doors/drawers per unit will have the same key number per unit. Individual units will be keyed randomly and differently from the other. Contact factory for other keying options. Available key numbers are LL226 thru LL327.
- Mobile units have a solid steel top and back with two front total lock casters and two rear swivel casters.

NOTES

- » Base Cabinets can be used in conjunction with UltraFrame, Lab Legs and support brackets; see pages 2.2, 10.27-10.29.
- » Recessed pulls available; consult factory.

How to Specify

Step 1. Product Number

LUCB Base Cabinet

Step 2. Height

29 29" high 35 35" high

Step 3. Width

30 30" wide 36 36" wide 42 42" wide
48 48" wide

Step 4. Casters, Drawer/Door, Pull Type

C2DB Casters, Double Drawer and Door

Step 5. Locking/Non-Locking

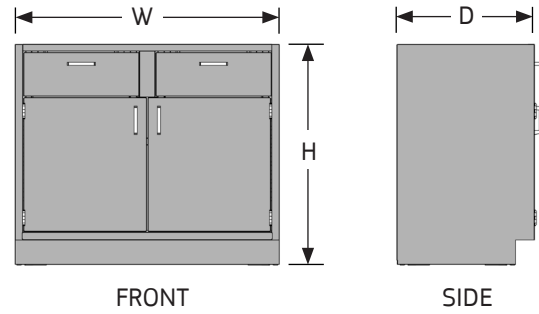
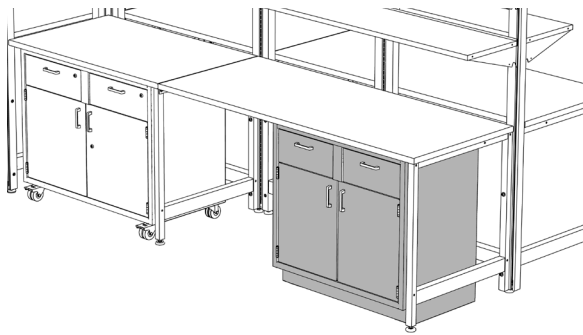
N Non-Locking L Locking

Step 6. Paint Color Code

BK Black
GL Grey Light Smooth
NW Neutral White

Product Number	Description	Height		Width		Depth		Weight	
		in.	[mm]	in.	[mm]	in.	[mm]	lb.	[kg]
LUCB2930C2DBN	Sitting height, non-locking	29	737	30	762	21 7/8	556	116	52.6
LUCB2936C2DBN	Sitting height, non-locking	29	737	36	914	21 7/8	556	126	57.2
LUCB2942C2DBN	Sitting height, non-locking	29	737	42	1067	21 7/8	556	136	61.7
LUCB2948C2DBN	Sitting height, non-locking	29	737	48	1219	21 7/8	556	151	68.5
LUCB3530C2DBN	Standing height, non-locking	35	889	30	762	21 7/8	556	146	66.2
LUCB3536C2DBN	Standing height, non-locking	35	889	36	914	21 7/8	556	156	70.8
LUCB3542C2DBN	Standing height, non-locking	35	889	42	1067	21 7/8	556	171	77.6
LUCB3548C2DBN	Standing height, non-locking	35	889	48	1219	21 7/8	556	181	82.1
LUCB2930C2DBL	Sitting height, locking	29	737	30	762	21 7/8	556	116	52.6
LUCB2936C2DBL	Sitting height, locking	29	737	36	914	21 7/8	556	126	57.2
LUCB2942C2DBL	Sitting height, locking	29	737	42	1067	21 7/8	556	136	61.7
LUCB2948C2DBL	Sitting height, locking	29	737	48	1219	21 7/8	556	151	68.5
LUCB3530C2DBL	Standing height, locking	35	889	30	762	21 7/8	556	146	66.2
LUCB3536C2DBL	Standing height, locking	35	889	36	914	21 7/8	556	156	70.8
LUCB3542C2DBL	Standing height, locking	35	889	42	1067	21 7/8	556	171	77.6
LUCB3548C2DBL	Standing height, locking	35	889	48	1219	21 7/8	556	181	82.1

Rev 01/16/20



FIXED BASE CABINETS, DOUBLE DRAWER & DOOR

- Built to SEFA standards, Cabinets are constructed of welded 18 and 20 gauge steel with a chemical resistant epoxy powder coat paint finish.
- Drawers have full-extension ball bearing, plated drawer slides.
- Doors have 5-knuckle stainless steel institutional type hinges.
- Sound deadened doors and drawers have "double pan" construction with a bar pull.
- A removable bottom pan and a single full-depth adjustable shelf is included with each cabinet. Additional shelves; consult factory.
- Available with or without locks. Locking cabinets with multiple doors/drawers per unit will have the same key number per unit. Individual units will be keyed randomly and differently from the other. Contact factory for other keying options. Available key numbers are LL226 thru LL327.
- Stationary units are open on top, with a removable back panel and include leveling glides.

NOTES

- » Base cabinets can be used in conjunction with UltraFrame, Lab Legs and support brackets; see pages 2.2, 10.27-10.29.
- » Recessed pulls available; consult factory.

How to Specify

Step 1. Product Number

LUCB Base Cabinet

Step 2. Height

29 29" high 35 35" high

Step 3. Width

30 30" wide 36 36" wide 42 42" wide
48 48" wide

Step 4. Glide, Drawer/Door, Pull Type

G2DB Glide, Double Drawer and Door

Step 5. Locking/Non-Locking

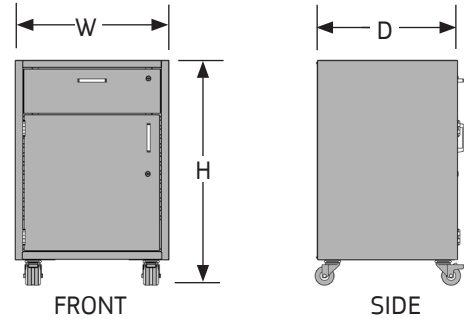
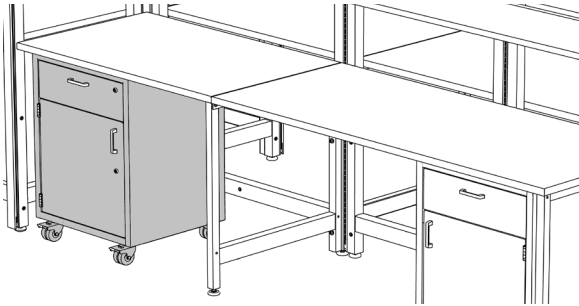
N Non-Locking L Locking

Step 6. Paint Color Code

BK Black
GL Grey Light Smooth
NW Neutral White

Product Number	Description	Height		Width		Depth		Weight	
		in.	[mm]	in.	[mm]	in.	[mm]	lb.	[kg]
LUCB2930G2DBN	Sitting height, non-locking	29	737	30	762	21 7/8	556	110	49.9
LUCB2936G2DBN	Sitting height, non-locking	29	737	36	914	21 7/8	556	120	54.4
LUCB2942G2DBN	Sitting height, non-locking	29	737	42	1067	21 7/8	556	141	64.0
LUCB2948G2DBN	Sitting height, non-locking	29	737	48	1219	21 7/8	556	145	65.8
LUCB3530G2DBN	Standing height, non-locking	35	889	30	762	21 7/8	556	140	63.5
LUCB3536G2DBN	Standing height, non-locking	35	889	36	914	21 7/8	556	150	68.0
LUCB3542G2DBN	Standing height, non-locking	35	889	42	1067	21 7/8	556	165	74.8
LUCB3548G2DBN	Standing height, non-locking	35	889	48	1219	21 7/8	556	175	79.4
LUCB2930G2DBL	Sitting height, locking	29	737	30	762	21 7/8	556	110	49.9
LUCB2936G2DBL	Sitting height, locking	29	737	36	914	21 7/8	556	120	54.4
LUCB2942G2DBL	Sitting height, locking	29	737	42	1067	21 7/8	556	141	64.0
LUCB2948G2DBL	Sitting height, locking	29	737	48	1219	21 7/8	556	145	65.8
LUCB3530G2DBL	Standing height, locking	35	889	30	762	21 7/8	556	140	63.5
LUCB3536G2DBL	Standing height, locking	35	889	36	914	21 7/8	556	150	68.0
LUCB3542G2DBL	Standing height, locking	35	889	42	1067	21 7/8	556	165	74.8
LUCB3548G2DBL	Standing height, locking	35	889	48	1219	21 7/8	556	170	77.1

Rev 01/16/20



MOBILE BASE CABINETS, SINGLE DRAWER & DOOR

- Built to SEFA standards, Cabinets are constructed of welded 18 and 20 gauge steel with a chemical resistant epoxy powder coat paint finish.
- Drawers have full-extension ball bearing, plated drawer slides.
- Doors have 5-knuckle stainless steel institutional type hinges.
- Sound deadened doors and drawers have "double pan" construction with a bar pull.
- A removable bottom pan and a single full-depth adjustable shelf is included with each cabinet. Additional shelves available, consult factory.
- Available with or without locks. Locking cabinets with multiple doors/drawers per unit will have the same key number per unit. Individual units will be keyed randomly and differently from the other. Contact factory for other keying options. Available key numbers are LL226 thru LL327.
- Mobile units have a solid steel top and back with two front total lock casters and two rear swivel casters.

NOTES

- » Base cabinets can be used in conjunction with UltraFrame, Lab Legs and support brackets; see pages 2.2, 10.27-10.29.
- » Recessed pulls available; consult factory.

How to Specify

Step 1. Product Number

LUCB Base Cabinet

Step 2. Height

29 29" high 35 35" high

Step 3. Width

18 18" wide 24 24" wide

Step 4. Casters, Drawer/Door Combo.

C1 Casters, Single Drawer and Door

Step 5. Hinge Location, Pull Type

LB Left, Bar RB Right, Bar

Step 6. Locking/Non-Locking

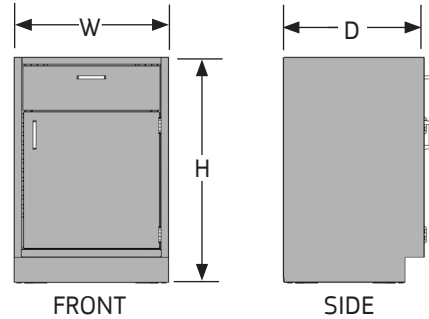
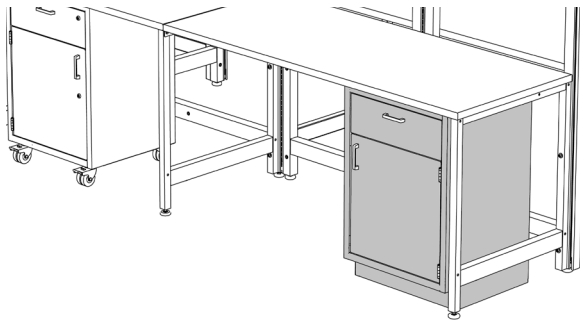
N Non-Locking L Locking

Step 7. Paint Color Code

BK Black
GL Grey Light Smooth
NW Neutral White

Product Number	Description	Height		Width		Depth		Weight	
		in.	[mm]	in.	[mm]	in.	[mm]	lb.	[kg]
LUCB2918C1LBN	Sitting height, left hinged, non-locking	29	737	18	457	21 7/8	556	86	39.0
LUCB2918C1RBN	Sitting height, right hinged, non-locking	29	737	18	457	21 7/8	556	86	39.0
LUCB2924C1LBN	Sitting height, left hinged, non-locking	29	737	24	610	21 7/8	556	96	43.5
LUCB2924C1RBN	Sitting height, right hinged, non-locking	29	737	24	610	21 7/8	556	96	43.5
LUCB3518C1LBN	Standing height, left hinged, non-locking	35	889	18	457	21 7/8	556	101	45.8
LUCB3518C1RBN	Standing height, right hinged, non-locking	35	889	18	457	21 7/8	556	101	45.8
LUCB3524C1LBN	Standing height, left hinged, non-locking	35	889	24	610	21 7/8	556	111	50.3
LUCB3524C1RBN	Standing height, right hinged, non-locking	35	889	24	610	21 7/8	556	111	50.3
LUCB2918C1LBL	Sitting height, left hinged, locking	29	737	18	457	21 7/8	556	86	39.0
LUCB2918C1RBL	Sitting height, right hinged, locking	29	737	18	457	21 7/8	556	86	39.0
LUCB2924C1LBL	Sitting height, left hinged, locking	29	737	24	610	21 7/8	556	96	43.5
LUCB2924C1RBL	Sitting height, right hinged, locking	29	737	24	610	21 7/8	556	96	43.5
LUCB3518C1LBL	Standing height, left hinged, locking	35	889	18	457	21 7/8	556	101	45.8
LUCB3518C1RBL	Standing height, right hinged, locking	35	889	18	457	21 7/8	556	101	45.8
LUCB3524C1LBL	Standing height, left hinged, locking	35	889	24	610	21 7/8	556	111	50.3
LUCB3524C1RBL	Standing height, right hinged, locking	35	889	24	610	21 7/8	556	111	50.3

Rev 01/16/20



FIXED BASE CABINETS, SINGLE DRAWER & DOOR

- Built to SEFA standards, Cabinets are constructed of welded 18 and 20 gauge steel with a chemical resistant epoxy powder coat paint finish.
- Drawers have full-extension ball bearing, plated drawer slides.
- Doors have 5-knuckle stainless steel institutional type hinges.
- Sound deadened doors and drawers have "double pan" construction with a bar pull.
- A removable bottom pan and a single full-depth adjustable shelf is included with each cabinet. Additional shelves available, consult factory.
- Available with or without locks. Locking cabinets with multiple doors/drawers per unit will have the same key number per unit. Individual units will be keyed randomly and differently from the other. Contact factory for other keying options. Available key numbers are LL226 thru LL327.
- Stationary units are open on top, with a removable back panel and include leveling glides.

NOTES

- » Base cabinets can be used in conjunction with UltraFrame, Lab Legs and support brackets; see pages 2.2, 10.27-10.29.
- » Recessed pulls available; consult factory.

How to Specify

Step 1. Product Number

LUCB Base Cabinet

Step 2. Height

29 29" high 35 35" high

Step 3. Width

18 18" wide 24 24" wide

Step 4. Glide, Drawer/Door Combo.

G1 Glide Base, Single Drawer and Door

Step 5. Hinge Location, Pull Type

LB Left, Bar RB Right, Bar

Step 6. Locking/Non-Locking

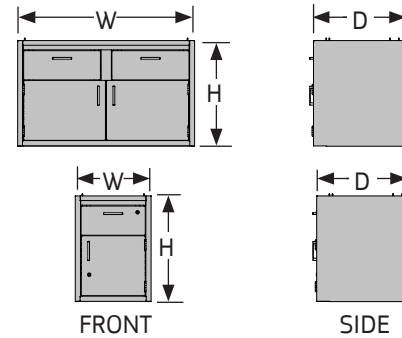
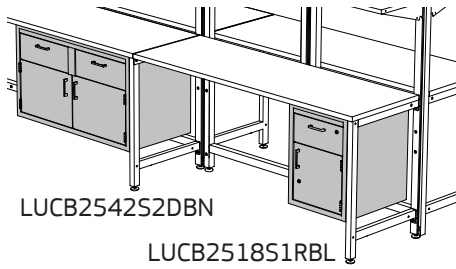
N Non-Locking L Locking

Step 7. Paint Color Code

BK Black
 GL Grey Light Smooth
 NW Neutral White

Product Number	Description	Height		Width		Depth		Weight	
		in.	[mm]	in.	[mm]	in.	[mm]	lb.	[kg]
LUCB2918G1LBN	Sitting height, left hinged, non-locking	29	737	18	457	21 7/8	556	80	36.3
LUCB2918G1RBN	Sitting height, right hinged, non-locking	29	737	18	457	21 7/8	556	80	36.3
LUCB2924G1LBN	Sitting height, left hinged, non-locking	29	737	24	610	21 7/8	556	90	40.8
LUCB2924G1RBN	Sitting height, right hinged, non-locking	29	737	24	610	21 7/8	556	90	40.8
LUCB3518G1LBN	Standing height, left hinged, non-locking	35	889	18	457	21 7/8	556	95	43.1
LUCB3518G1RBN	Standing height, right hinged, non-locking	35	889	18	457	21 7/8	556	95	43.1
LUCB3524G1LBN	Standing height, left hinged, non-locking	35	889	24	610	21 7/8	556	105	47.6
LUCB3524G1RBN	Standing height, right hinged, non-locking	35	889	24	610	21 7/8	556	105	47.6
LUCB2918G1LBL	Sitting height, left hinged, locking	29	737	18	457	21 7/8	556	80	36.3
LUCB2918G1RBL	Sitting height, right hinged, locking	29	737	18	457	21 7/8	556	80	36.3
LUCB2924G1LBL	Sitting height, left hinged, locking	29	737	24	610	21 7/8	556	90	40.8
LUCB2924G1RBL	Sitting height, right hinged, locking	29	737	24	610	21 7/8	556	90	40.8
LUCB3518G1LBL	Standing height, left hinged, locking	35	889	18	457	21 7/8	556	95	43.1
LUCB3518G1RBL	Standing height, right hinged, locking	35	889	18	457	21 7/8	556	95	43.1
LUCB3524G1LBL	Standing height, left hinged, locking	35	889	24	610	21 7/8	556	105	47.6
LUCB3524G1RBL	Standing height, right hinged, locking	35	889	24	610	21 7/8	556	105	47.6

Rev 01/16/20



SUSPENDED BASE CABINETS, DRAWER/DOOR

- Suspended Base Cabinets can be hung from the underside of surfaces and 4-Legged Table Cabinet Mounting Brackets.
- Built to SEFA standards, Cabinets are constructed of welded 18 and 20 gauge steel with a chemical resistant epoxy powder coat paint finish.
- Drawers have full-extension ball bearing, plated drawer slides.
- Doors have 5-knuckle stainless steel institutional type hinges.
- Sound deadened doors and drawers have "double pan" construction with a bar pull.
- A removable bottom pan and a single full-depth adjustable shelf is included with each cabinet. Additional shelves available; consult factory.
- Available with or without locks. Locking cabinets with multiple doors/drawers per unit will have the same key number per unit. Individual units will be keyed randomly and differently from the other. Contact factory for other keying options. Available key numbers are LL226 thru LL327.
- Units are open on top and have a solid steel back panel.

NOTES

- » Load capacity (includes cabinet and content) cannot exceed 500 lbs. Load capacity of the suspended cabinet does not supercede support component load rating.
- » The suspended component(s) reduces the surface load capacity by an amount equal to the suspended component and its contents.
- » Recessed pulls available; consult factory.
- » 4-Legged Table Cabinet Mounting Brackets sold separately; see page 10.16.

How to Specify

Step 1. Product Number

LUCB Base Cabinet

Step 2. Height

25 25" high

Step 3. Width

18 18" wide 24 24" wide 30 30" wide
36 36" wide 42 42" wide 48 48" wide

Step 4. Suspended, Drawer/Door Combo.

S1 Single S2 Double

Step 5. Hinge Location, Pull Type

LB Left, Bar RB Right, Bar D Double Door

Step 6. Locking/Non-Locking

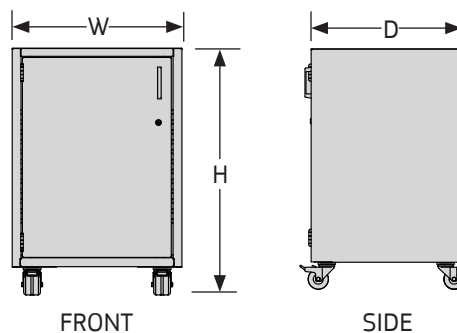
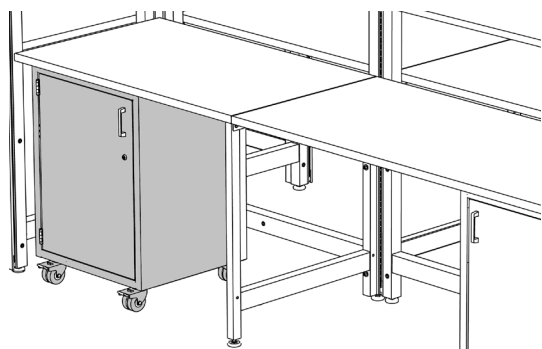
N Non-Locking L Locking

Step 7. Paint Color Code

BK Black
GL Grey Light Smooth
NW Neutral White

Product Number	Description	Height		Width		Depth		Weight	
		in.	[mm]	in.	[mm]	in.	[mm]	lb.	[kg]
LUCB2518S1LBN	Suspended, left hinged, non-locking	25	635	18	457	21 7/8	556	86	39.0
LUCB2518S1RBN	Suspended, right hinged, non-locking	25	635	18	457	21 7/8	556	86	39.0
LUCB2524S1LBN	Suspended, left hinged, non-locking	25	635	24	610	21 7/8	556	111	50.3
LUCB2524S1RBN	Suspended, right hinged, non-locking	25	635	24	610	21 7/8	556	111	50.3
LUCB2518S1LBL	Suspended, left hinged, locking	25	635	18	457	21 7/8	556	96	43.5
LUCB2518S1RBL	Suspended, right hinged, locking	25	635	18	457	21 7/8	556	96	43.5
LUCB2524S1LBL	Suspended, left hinged, locking	25	635	24	610	21 7/8	556	101	45.8
LUCB2524S1RBL	Suspended, right hinged, locking	25	635	24	610	21 7/8	556	101	45.8
LUCB2530S2DBN	Suspended, double door, non-locking	25	635	30	762	21 7/8	556	110	49.9
LUCB2536S2DBN	Suspended, double door, non-locking	25	635	36	914	21 7/8	556	120	54.4
LUCB2542S2DBN	Suspended, double door, non-locking	25	635	42	1067	21 7/8	556	141	64.0
LUCB2548S2DBN	Suspended, double door, non-locking	25	635	48	1219	21 7/8	556	151	68.5
LUCB2530S2DBL	Suspended, double door, locking	25	635	30	762	21 7/8	556	110	49.9
LUCB2536S2DBL	Suspended, double door, locking	25	635	36	914	21 7/8	556	120	54.4
LUCB2542S2DBL	Suspended, double door, locking	25	635	42	1067	21 7/8	556	141	64.0
LUCB2548S2DBL	Suspended, double door, locking	25	635	48	1219	21 7/8	556	151	68.5

Rev 01/16/20



MOBILE BASE CABINETS, SINGLE DOOR

- Built to SEFA standards, Cabinets are constructed of welded 18 and 20 gauge steel with a chemical resistant epoxy powder coat paint finish.
- Doors have 5-knuckle stainless steel institutional type hinges.
- Sound deadened doors have "double pan" construction with a bar pull.
- A removable bottom pan and a single full-depth adjustable shelf is included with each cabinet. Additional shelves available; consult factory.
- Available with or without locks. Locking cabinets with multiple doors/drawers per unit will have the same key number per unit. Individual units will be keyed randomly and differently from the other. Contact factory for other keying options. Available key numbers are LL226 thru LL327.
- Mobile units have a solid steel top and back with two front total lock casters and two rear swivel casters.

NOTES

- » Base cabinets can be used in conjunction with UltraFrame, Lab Legs and support brackets; see pages 2.2 - 2.3 and 10.25 - 10.27.
- » Recessed pulls available; consult factory.

How to Specify

Step 1. Product Number

LUCB Base Cabinet

Step 2. Height

29 29" high 35 35" high

Step 3. Width

18 18" wide 24 24" wide

Step 4. Casters, Door

C0 Casters, Single Door

Step 5. Hinge Location, Pull Type

LB Left, Bar RB Right, Bar

Step 6. Locking/Non-Locking

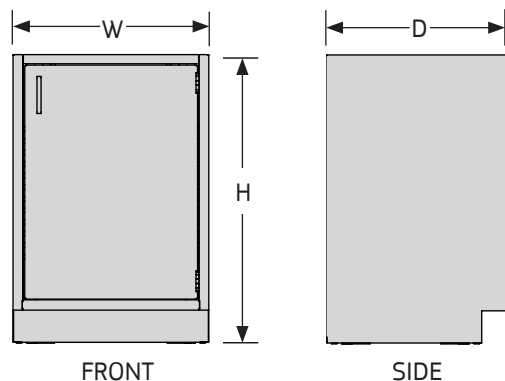
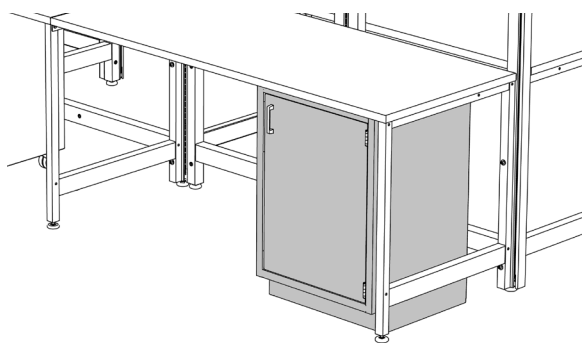
N Non-Locking L Locking

Step 7. Paint Color Code

BK Black
GL Grey Light Smooth
NW Neutral White

Product Number	Description	Height		Width		Depth		Weight	
		in.	[mm]	in.	[mm]	in.	[mm]	lb.	[kg]
LUCB2918COLBN	Sitting height, left hinged, non-locking	29	737	18	457	21 7/8	556	81	36.7
LUCB2918CORBN	Sitting height, right hinged, non-locking	29	737	18	457	21 7/8	556	81	36.7
LUCB2924COLBN	Sitting height, left hinged, non-locking	29	737	24	610	21 7/8	556	91	41.3
LUCB2924CORBN	Sitting height, right hinged, non-locking	29	737	24	610	21 7/8	556	91	41.3
LUCB3518COLBN	Standing height, left hinged, non-locking	35	889	18	457	21 7/8	556	91	41.3
LUCB3518CORBN	Standing height, right hinged, non-locking	35	889	18	457	21 7/8	556	91	41.3
LUCB3524COLBN	Standing height, left hinged, non-locking	35	889	24	610	21 7/8	556	101	45.8
LUCB3524CORBN	Standing height, right hinged, non-locking	35	889	24	610	21 7/8	556	101	45.8
LUCB2918COLBL	Sitting height, left hinged, locking	29	737	18	457	21 7/8	556	81	36.7
LUCB2918CORBL	Sitting height, right hinged, locking	29	737	18	457	21 7/8	556	81	36.7
LUCB2924COLBL	Sitting height, left hinged, locking	29	737	24	610	21 7/8	556	91	41.3
LUCB2924CORBL	Sitting height, right hinged, locking	29	737	24	610	21 7/8	556	91	41.3
LUCB3518COLBL	Standing height, left hinged, locking	35	889	18	457	21 7/8	556	91	41.3
LUCB3518CORBL	Standing height, right hinged, locking	35	889	18	457	21 7/8	556	91	41.3
LUCB3524COLBL	Standing height, left hinged, locking	35	889	24	610	21 7/8	556	101	45.8
LUCB3524CORBL	Standing height, right hinged, locking	35	889	24	610	21 7/8	556	101	45.8

Rev 01/16/20



FIXED BASE CABINETS, SINGLE DOOR

- Built to SEFA standards, Cabinets are constructed of welded 18 and 20 gauge steel with a chemical resistant epoxy powder coat paint finish.
- Doors have 5-knuckle stainless steel institutional type hinges.
- Sound deadened doors have "double pan" construction with a bar pull.
- A removable bottom pan and a single full-depth adjustable shelf is included with each cabinet. Additional shelves available; consult factory.
- Available with or without locks. Locking cabinets with multiple doors/drawers per unit will have the same key number per unit. Individual units will be keyed randomly and differently from the other. Contact factory for other keying options. Available key numbers are LL226 thru LL327.
- Stationary units are open on top, with a removable back panel and include leveling glides.

NOTES

- » Base cabinets can be used in conjunction with UltraFrame, Lab Legs and support brackets; see pages 2.2 - 2.3 and 10.25 - 10.27.
- » Recessed pulls available; consult factory.

How to Specify

Step 1. Product Number

LUCB Base Cabinet

Step 2. Height

29 29" high 35 35" high

Step 3. Width

18 18" wide 24 24" wide

Step 4. Glide, Door

GO Glide, Single Door

Step 5. Hinge Location, Pull Type

LB Left, Bar RB Right, Bar

Step 6. Locking/Non-Locking

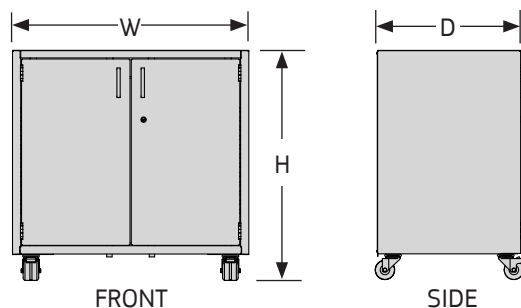
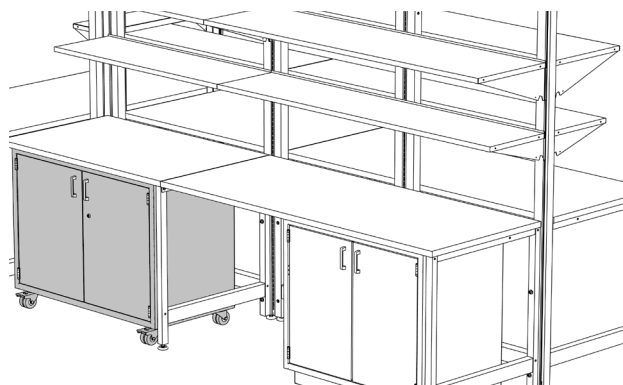
N Non-Locking L Locking

Step 7. Paint Color Code

BK Black
GL Grey Light Smooth
NW Neutral White

Product Number	Description	Height		Width		Depth		Weight	
		in.	[mm]	in.	[mm]	in.	[mm]	lb.	[kg]
LUCB2918GOLBN	Sitting height, left hinged, non-locking	29	737	18	457	21 7/8	556	75	34.0
LUCB2918GORBN	Sitting height, right hinged, non-locking	29	737	18	457	21 7/8	556	75	34.0
LUCB2924GOLBN	Sitting height, left hinged, non-locking	29	737	24	610	21 7/8	556	85	38.6
LUCB2924GORBN	Sitting height, right hinged, non-locking	29	737	24	610	21 7/8	556	85	38.6
LUCB3518GOLBN	Standing height, left hinged, non-locking	35	889	18	457	21 7/8	556	85	38.6
LUCB3518GORBN	Standing height, right hinged, non-locking	35	889	18	457	21 7/8	556	85	38.6
LUCB3524GOLBN	Standing height, left hinged, non-locking	35	889	24	610	21 7/8	556	95	43.1
LUCB3524GORBN	Standing height, right hinged, non-locking	35	889	24	610	21 7/8	556	95	43.1
LUCB2918GOLBL	Sitting height, left hinged, locking	29	737	18	457	21 7/8	556	75	34.0
LUCB2918GORBL	Sitting height, right hinged, locking	29	737	18	457	21 7/8	556	75	34.0
LUCB2924GOLBL	Sitting height, left hinged, locking	29	737	24	610	21 7/8	556	85	38.6
LUCB2924GORBL	Sitting height, right hinged, locking	29	737	24	610	21 7/8	556	85	38.6
LUCB3518GOLBL	Standing height, left hinged, locking	35	889	18	457	21 7/8	556	85	38.6
LUCB3518GORBL	Standing height, right hinged, locking	35	889	18	457	21 7/8	556	85	38.6
LUCB3524GOLBL	Standing height, left hinged, locking	35	889	24	610	21 7/8	556	95	43.1
LUCB3524GORBL	Standing height, right hinged, locking	35	889	24	610	21 7/8	556	95	43.1

Rev 01/16/20



MOBILE BASE CABINETS, DOUBLE DOOR

- Built to SEFA standards, Cabinets are constructed of welded 18 and 20 gauge steel with a chemical resistant epoxy powder coat paint finish.
- Doors have 5-knuckle stainless steel institutional type hinges.
- Sound deadened doors have "double pan" construction with a bar pull.
- A removable bottom pan and a single full-depth adjustable shelf is included with each cabinet. Additional shelves available, consult factory.
- Available with or without locks. Locking cabinets with multiple doors/ drawers per unit will have the same key number per unit. Individual units will be keyed randomly and differently from the other. Contact factory for other keying options. Available key numbers are LL226 thru LL327.
- Mobile units have a solid steel top and back with two front total lock casters and two rear swivel casters.

NOTES

- » Base cabinets can be used in conjunction with UltraFrame, Lab Legs and support brackets; see pages 2.2 - 2.3 and 10.25 - 10.27.
- » Recessed pulls available; consult factory.

How to Specify

Step 1. Product Number

LUCB Base Cabinet

Step 2. Height

29 29" high 35 35" high

Step 3. Width

30 30" wide 36 36" wide 42 42" wide
48 48" wide

Step 4. Casters, Door, Pull Type

CODB Casters, Double Door, Bar Pull

Step 5. Locking/Non-Locking

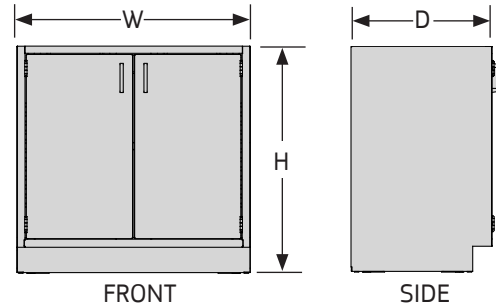
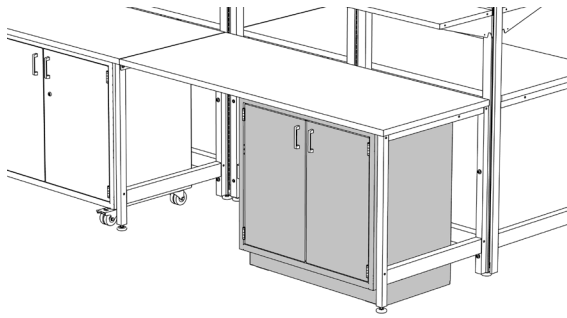
N Non-Locking L Locking

Step 6. Paint Color Code

BK Black
GL Grey Light Smooth
NW Neutral White

Product Number	Description	Height		Width		Depth		Weight	
		in.	[mm]	in.	[mm]	in.	[mm]	lb.	[kg]
LUCB2930CODBN	Sitting height, non-locking	29	737	30	762	21 7/8	556	111	50.3
LUCB2936CODBN	Sitting height, non-locking	29	737	36	914	21 7/8	556	121	54.9
LUCB2942CODBN	Sitting height, non-locking	29	737	42	1067	21 7/8	556	131	59.4
LUCB2948CODBN	Sitting height, non-locking	29	737	48	1219	21 7/8	556	141	64.0
LUCB3530CODBN	Standing height, non-locking	35	889	30	762	21 7/8	556	131	59.4
LUCB3536CODBN	Standing height, non-locking	35	889	36	914	21 7/8	556	136	61.7
LUCB3542CODBN	Standing height, non-locking	35	889	42	1067	21 7/8	556	156	70.8
LUCB3548CODBN	Standing height, non-locking	35	889	48	1219	21 7/8	556	161	73.0
LUCB2930CODBL	Sitting height, locking	29	737	30	762	21 7/8	556	111	50.3
LUCB2936CODBL	Sitting height, locking	29	737	36	914	21 7/8	556	121	54.9
LUCB2942CODBL	Sitting height, locking	29	737	42	1067	21 7/8	556	131	59.4
LUCB2948CODBL	Sitting height, locking	29	737	48	1219	21 7/8	556	141	64.0
LUCB3530CODBL	Standing height, locking	35	889	30	762	21 7/8	556	131	59.4
LUCB3536CODBL	Standing height, locking	35	889	36	914	21 7/8	556	136	61.7
LUCB3542CODBL	Standing height, locking	35	889	42	1067	21 7/8	556	156	70.8
LUCB3548CODBL	Standing height, locking	35	889	48	1219	21 7/8	556	161	73.0

Rev 01/16/20



FIXED BASE CABINETS, DOUBLE DOOR

- Built to SEFA standards, Cabinets are constructed of welded 18 and 20 gauge steel with a chemical resistant epoxy powder coat paint finish.
- Doors have 5-knuckle stainless steel institutional type hinges.
- Sound deadened doors have "double pan" construction with a bar pull.
- A removable bottom pan and a single full-depth adjustable shelf is included with each cabinet. Additional shelves available, consult factory.
- Available with or without locks. Locking cabinets with multiple doors/drawers per unit will have the same key number per unit. Individual units will be keyed randomly and differently from the other. Contact factory for other keying options. Available key numbers are LL226 thru LL327.
- Stationary units are open on top, with a removable back panel and include leveling glides.

NOTES

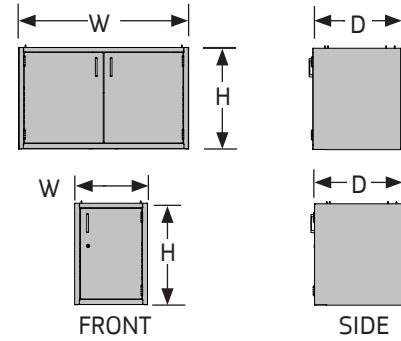
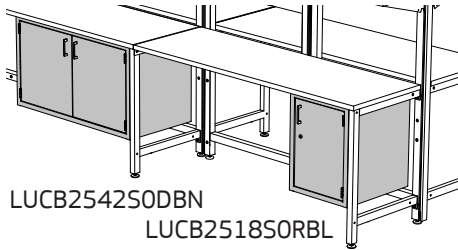
- » Base cabinets can be used in conjunction with UltraFrame, Lab Legs and support brackets; see pages 2.2 - 2.3 and 10.25 - 10.27.
- » Recessed pulls available; consult factory.

How to Specify

- Step 1. Product Number**
LUCB Base Cabinet
- Step 2. Height**
29 29" high 35 35" high
- Step 3. Width**
30 30" wide 36 36" wide 42 42" wide
48 48" wide
- Step 4. Glide**
G0 Glide
- Step 5. Door, Pull Type**
DB Double Door, Bar
- Step 6. Locking/Non-Locking**
N Non-Locking L Locking
- Step 7. Paint Color Code**
BK Black
GL Grey Light Smooth
NW Neutral White

Product Number	Description	Height		Width		Depth		Weight	
		in.	[mm]	in.	[mm]	in.	[mm]	lb.	[kg]
LUCB2930G0DBN	Sitting height, non-locking	29	737	30	762	21 7/8	556	105	47.6
LUCB2936G0DBN	Sitting height, non-locking	29	737	36	914	21 7/8	556	115	52.2
LUCB2942G0DBN	Sitting height, non-locking	29	737	42	1067	21 7/8	556	125	56.7
LUCB2948G0DBN	Sitting height, non-locking	29	737	48	1219	21 7/8	556	135	61.2
LUCB3530G0DBN	Standing height, non-locking	35	889	30	762	21 7/8	556	125	56.7
LUCB3536G0DBN	Standing height, non-locking	35	889	36	914	21 7/8	556	130	59.0
LUCB3542G0DBN	Standing height, non-locking	35	889	42	1067	21 7/8	556	150	68.0
LUCB3548G0DBN	Standing height, non-locking	35	889	48	1219	21 7/8	556	155	70.3
LUCB2930G0DBL	Sitting height, locking	29	737	30	762	21 7/8	556	105	47.6
LUCB2936G0DBL	Sitting height, locking	29	737	36	914	21 7/8	556	115	52.2
LUCB2942G0DBL	Sitting height, locking	29	737	42	1067	21 7/8	556	125	56.7
LUCB2948G0DBL	Sitting height, locking	29	737	48	1219	21 7/8	556	135	61.2
LUCB3530G0DBL	Standing height, locking	35	889	30	762	21 7/8	556	125	56.7
LUCB3536G0DBL	Standing height, locking	35	889	36	914	21 7/8	556	130	59.0
LUCB3542G0DBL	Standing height, locking	35	889	42	1067	21 7/8	556	150	68.0
LUCB3548G0DBL	Standing height, locking	35	889	48	1219	21 7/8	556	155	70.3

Rev 01/16/20



SUSPENDED BASE CABINETS, SINGLE & DBL. DOOR

- Suspended Base Cabinets can be hung from the underside of surfaces and 4-Legged Table Cabinet Mounting Brackets.
- Built to SEFA standards, cabinets are constructed of welded 18 and 20 gauge steel with a chemical resistant epoxy powder coat paint finish.
- Sound deadened doors and drawers have "double pan" construction with a bar pull.
- Drawers have full-extension ball bearing, plated drawer slides.
- Doors have 5-knuckle stainless steel institutional type hinges.
- A removable bottom pan and a single full-depth adjustable shelf is included with each cabinet. Additional shelves available, consult factory.
- Available with or without locks. Locking cabinets with multiple doors/drawers per unit will have the same key number per unit. Individual units will be keyed randomly and differently from the other. Contact factory for other keying options. Available key numbers are LL226 thru LL327.
- Units are open on top and have a solid back panel.

NOTES

- » Load capacity (includes cabinet and content) cannot exceed 500 lbs. Load capacity of the suspended cabinet does not supercede support component load rating.
- » Suspended component(s) reduce the surface load capacity by an amount equal to the suspended component and its contents.
- » Recessed pulls available; consult factory.
- » 4-Legged Table Cabinet Mounting Brackets sold separately; see page 10.16.

How to Specify

Step 1. Product Number

LUCB Base Cabinet

Step 2. Height

25 25" high

Step 3. Width

18 18" wide 24 24" wide 30 30" wide
36 36" wide 42 42" wide 48 48" wide

Step 4. Suspended, Door

50 Single Door 50D Double Door

Step 5. Hinge Location, Pull Type

LB Left, Bar RB Right, Bar D Double Door

Step 6. Locking/Non-Locking

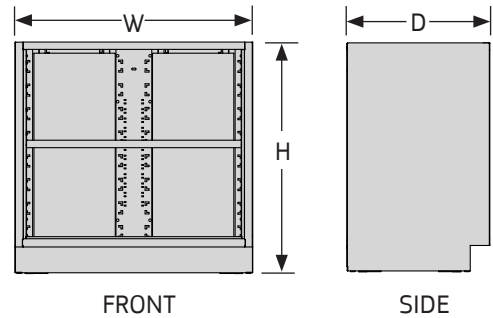
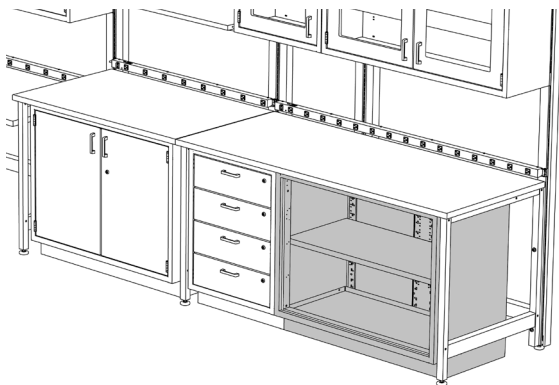
N Non-Locking L Locking

Step 7. Paint Color Code

BK Black
GL Grey Light Smooth
NW Neutral White

Product Number	Description	Height		Width		Depth		Weight	
		in.	[mm]	in.	[mm]	in.	[mm]	lb.	[kg]
LUCB2518S0LBN	Suspended, left hinged, non-locking	25	635	18	457	21 7/8	556	86	39.0
LUCB2518S0RBN	Suspended, right hinged, non-locking	25	635	18	457	21 7/8	556	86	39.0
LUCB2524S0LBN	Suspended, left hinged, non-locking	25	635	24	610	21 7/8	556	101	45.8
LUCB2524S0RBN	Suspended, right hinged, non-locking	25	635	24	610	21 7/8	556	101	45.8
LUCB2518S0LBL	Suspended, left hinged, locking	25	635	18	457	21 7/8	556	86	39.0
LUCB2518S0RBL	Suspended, right hinged, locking	25	635	18	457	21 7/8	556	86	39.0
LUCB2524S0LBL	Suspended, left hinged, locking	25	635	24	610	21 7/8	556	101	45.8
LUCB2524S0RBL	Suspended, right hinged, locking	25	635	24	610	21 7/8	556	101	45.8
LUCB2530S0DBN	Suspended, double door, non-locking	25	635	30	762	21 7/8	556	111	50.3
LUCB2536S0DBN	Suspended, double door, non-locking	25	635	36	914	21 7/8	556	121	54.9
LUCB2542S0DBN	Suspended, double door, non-locking	25	635	42	1067	21 7/8	556	131	59.4
LUCB2548S0DBN	Suspended, double door, non-locking	25	635	48	1219	21 7/8	556	141	64.0
LUCB2530S0DBL	Suspended, double door, locking	25	635	30	762	21 7/8	556	131	59.4
LUCB2536S0DBL	Suspended, double door, locking	25	635	36	914	21 7/8	556	136	61.7
LUCB2542S0DBL	Suspended, double door, locking	25	635	42	1067	21 7/8	556	156	70.8
LUCB2548S0DBL	Suspended, double door, locking	25	635	48	1219	21 7/8	556	161	73.0

Rev 01/16/20



FIXED BASE CABINETS, OPEN UNIT

- Cabinets are constructed of welded 18 and 20 gauge steel with a chemical resistant epoxy powder coat paint finish.
- Built to SEFA standards.
- A removable bottom pan and a single full-depth adjustable shelf is included with each cabinet. Additional shelves available; consult factory.

NOTES

- » Base cabinets can be used in conjunction with UltraFrame, Lab Legs and support brackets; see pages 2.2 - 2.3 and 10.25 - 10.27.
- » Open unit is only available with glides.

How to Specify

Step 1. Product Number

LUCB Base Cabinet

Step 2. Height

29 29" high 35 35" high

Step 3. Width

18 18" wide 24 24" wide 30 30" wide
36 36" wide 42 42" wide 48 48" wide

Step 4. Glide, Open Unit

G0 Glide

Step 5. Shelf

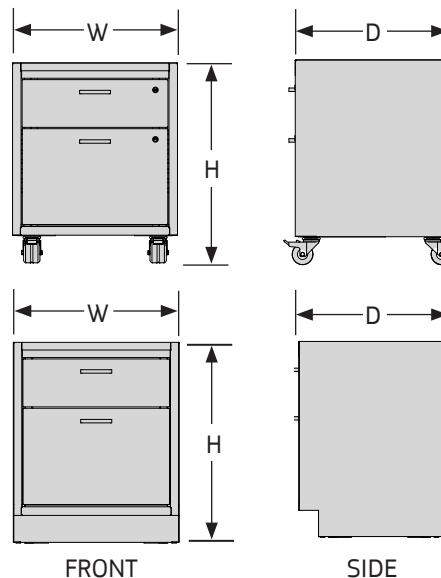
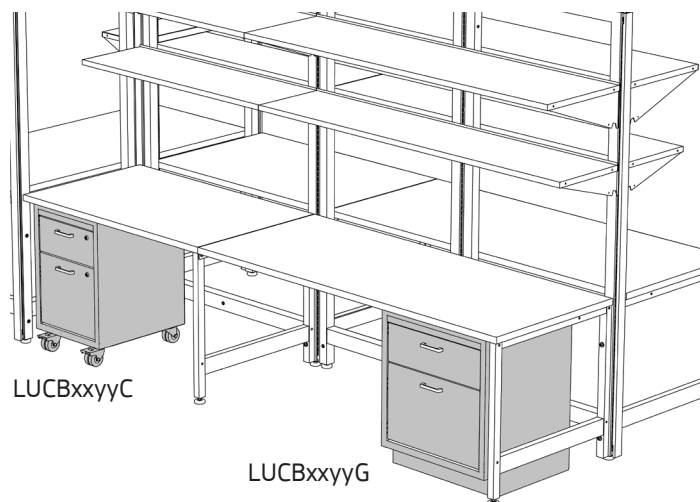
0000 Bottom Pan, Single Adjustable Shelf

Step 6. Paint Color Code

BK Black
GL Grey Light Smooth
NW Neutral White

Product Number	Description	Height		Width		Depth		Weight	
		in.	[mm]	in.	[mm]	in.	[mm]	lb.	[kg]
LUCB2918G0000	Sitting height, open, single shelf	29	737	18	457	21 7/8	556	65	29.5
LUCB2924G0000	Sitting height, open, single shelf	29	737	24	610	21 7/8	556	75	34.0
LUCB2930G0000	Sitting height, open, single shelf	29	737	30	762	21 7/8	556	90	40.8
LUCB2936G0000	Sitting height, open, single shelf	29	737	36	914	21 7/8	556	100	45.4
LUCB2942G0000	Sitting height, open, single shelf	29	737	42	1067	21 7/8	556	105	47.6
LUCB2948G0000	Sitting height, open, single shelf	29	737	48	1219	21 7/8	556	115	52.2
LUCB3518G0000	Standing height, open, single shelf	35	889	18	457	21 7/8	556	75	34.0
LUCB3524G0000	Standing height, open, single shelf	35	889	24	610	21 7/8	556	80	36.3
LUCB3530G0000	Standing height, open, single shelf	35	889	30	762	21 7/8	556	110	49.9
LUCB3536G0000	Standing height, open, single shelf	35	889	36	914	21 7/8	556	110	49.9
LUCB3542G0000	Standing height, open, single shelf	35	889	42	1067	21 7/8	556	115	52.2
LUCB3548G0000	Standing height, open, single shelf	35	889	48	1219	21 7/8	556	125	56.7

Rev 03/29/10



BASE CABINETS, SITTING HEIGHT, DOUBLE DRAWER

- Built to SEFA standards, Cabinets are constructed of welded 18 and 20 gauge steel with a chemical resistant epoxy powder coat paint finish.
- Drawers have full-extension ball bearing, plated drawer slides.
- Sound deadened drawers have "double pan" construction with a bar pull.
- Available with or without locks. Locking cabinets with multiple doors/drawers per unit will have the same key number per unit. Individual units will be keyed randomly and differently from the other. Contact factory for other keying options. Available key numbers are LL226 thru LL327.
- Mobile units have a solid steel top and back with two front total lock casters and two rear swivel casters.
- Stationary units are open on top, contain a removable back panel and include leveling glides.

NOTES

- » Base cabinets can be used in conjunction with UltraFrame, Lab Legs and support brackets; see pages 2.2 - 2.3 and 10.25 - 10.27.
- » Double drawer unit is only available in sitting height (29" high).
- » Recessed pulls available; consult factory.

How to Specify

Step 1. Product Number

LUCB Base Cabinet

Step 2. Height

29 29" high

Step 3. Width

18 18" wide 24 24" wide

Step 4. Glide or Casters

G Glide C Casters

Step 5. Drawer, Pull Type

20B Double Drawer, Bar

Step 6. Locking/Non-Locking

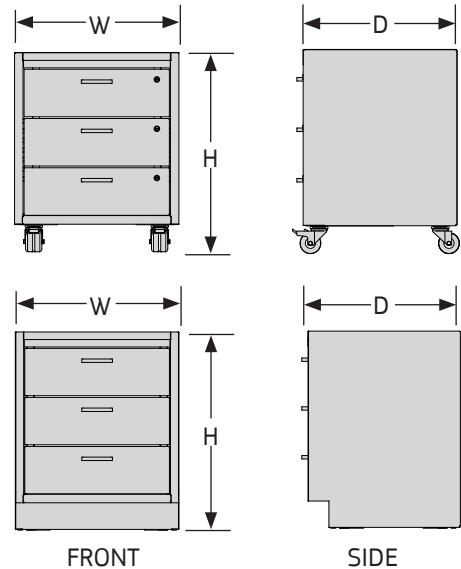
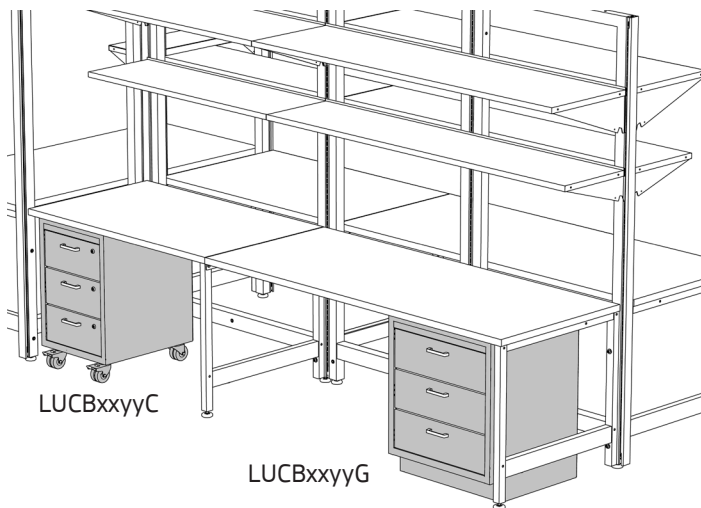
N Non-Locking L Locking

Step 7. Paint Color Code

BK Black
 GL Grey Light Smooth
 NW Neutral White

Product Number	Description	Height		Width		Depth		Weight	
		in.	[mm]	in.	[mm]	in.	[mm]	lb.	[kg]
LUCB2918G20BN	Sitting height, glides, non-locking	29	737	18	457	21 7/8	556	95	43.1
LUCB2924G20BN	Sitting height, glides, non-locking	29	737	24	610	21 7/8	556	105	47.6
LUCB2918G20BL	Sitting height, glides, locking	29	737	18	457	21 7/8	556	95	43.1
LUCB2924G20BL	Sitting height, glides, locking	29	737	24	610	21 7/8	556	105	47.6
LUCB2918C20BN	Sitting height, casters, non-locking	29	737	18	457	21 7/8	556	101	45.8
LUCB2924C20BN	Sitting height, casters, non-locking	29	737	24	610	21 7/8	556	111	50.3
LUCB2918C20BL	Sitting height, casters, locking	29	737	18	457	21 7/8	556	101	45.8
LUCB2924C20BL	Sitting height, casters, locking	29	737	24	610	21 7/8	556	111	50.3

Rev 01/16/20



BASE CABINETS, SITTING HEIGHT, 3-DRAWER

- Built to SEFA standards, Cabinets are constructed of welded 18 and 20 gauge steel with a chemical resistant epoxy powder coat paint finish.
- Drawers have full-extension ball bearing, plated drawer slides.
- Sound deadened drawers have "double pan" construction with a bar pull.
- Available with or without locks. Locking cabinets with multiple doors/drawers per unit will have the same key number per unit. Individual units will be keyed randomly and differently from the other. Contact factory for other keying options. Available key numbers are LL226 thru LL327.
- Mobile units have a solid steel top and back with two front total lock casters and two rear swivel casters.
- Stationary units are open on top, contain a removable back panel and include leveling glides.

NOTES

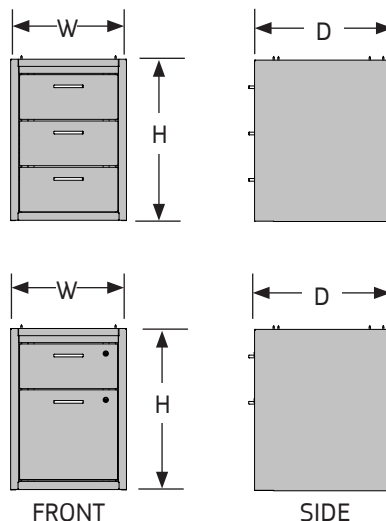
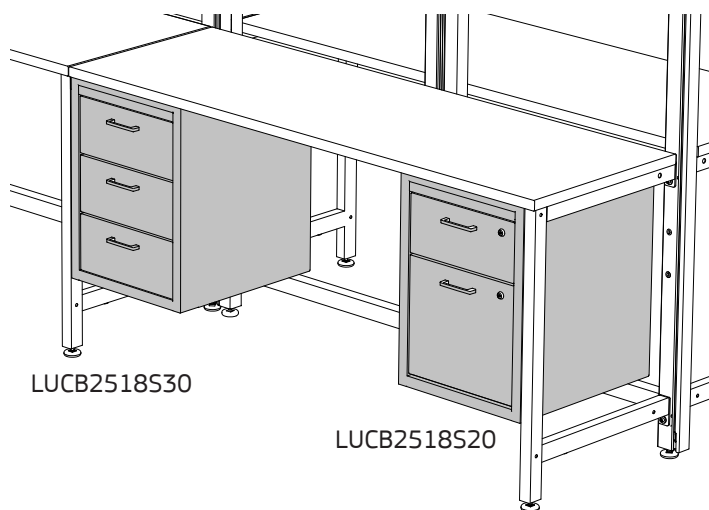
- » Base cabinets can be used in conjunction with UltraFrame, Lab Legs and support brackets; see pages 2.2 - 2.3 and 10.25 - 10.27.
- » Recessed pulls available; consult factory.

How to Specify

- Step 1. Product Number**
LUCB Base Cabinet
- Step 2. Height**
29 29" high
- Step 3. Width**
18 18" wide 24 24" wide
- Step 4. Glide or Casters**
G Glide C Casters
- Step 5. Drawer, Pull Type**
30B 3-Drawer, Bar
- Step 6. Locking/Non-Locking**
N Non-Locking L Locking
- Step 7. Paint Color Code**
BK Black
GL Grey Light Smooth
NW Neutral White

Product Number	Description	Height		Width		Depth		Weight	
		in.	[mm]	in.	[mm]	in.	[mm]	lb.	[kg]
LUCB2918G30BN	Sitting height, glides, non-locking	29	737	18	457	21 7/8	556	95	43.1
LUCB2924G30BN	Sitting height, glides, non-locking	29	737	24	610	21 7/8	556	110	49.9
LUCB2918G30BL	Sitting height, glides, locking	29	737	18	457	21 7/8	556	95	43.1
LUCB2924G30BL	Sitting height, glides, locking	29	737	24	610	21 7/8	556	110	49.9
LUCB2918C30BN	Sitting height, casters, non-locking	29	737	18	457	21 7/8	556	101	45.8
LUCB2924C30BN	Sitting height, casters, non-locking	29	737	24	610	21 7/8	556	116	52.6
LUCB2918C30BL	Sitting height, casters, locking	29	737	18	457	21 7/8	556	101	45.8
LUCB2924C30BL	Sitting height, casters, locking	29	737	24	610	21 7/8	556	116	52.6

Rev 01/16/20



SUSPENDED BASE CABINETS, DRAWERS

- Suspended Base Cabinets can be hung from the underside of surfaces and 4-Legged Table Cabinet Mounting Brackets.
- Built to SEFA standards, Cabinets are constructed of welded 18 and 20 gauge steel with a chemical resistant epoxy powder coat paint finish.
- Drawers have full-extension ball bearing, plated drawer slides.
- Sound deadened drawers have "double pan" construction with a bar pull.
- Available with or without locks. Locking cabinets with multiple doors/drawers per unit will have the same key number per unit. Individual units will be keyed randomly and differently from the other. Contact factory for other keying options. Available key numbers are LL226 thru LL327.
- Units are open on top and have a solid steel back panel.

NOTES

- » Load capacity (includes cabinet and content) cannot exceed 500 lbs. Load capacity of the suspended cabinet does not supercede support component load rating.
- » The suspended component(s) reduces the surface load capacity by an amount equal to the suspended component and its contents.
- » Recessed pulls available; consult factory.
- » 4-Legged Table Cabinet Mounting Brackets sold separately; see page 10.16.

How to Specify

Step 1. Product Number

LUCB Base Cabinet

Step 2. Height

25 25" high

Step 3. Width

18 18" wide 24 24" wide

Step 4. Suspended

S Suspended

Step 5. Drawer, Pull Type

30B 3-Drawer, Bar

Step 6. Locking/Non-Locking

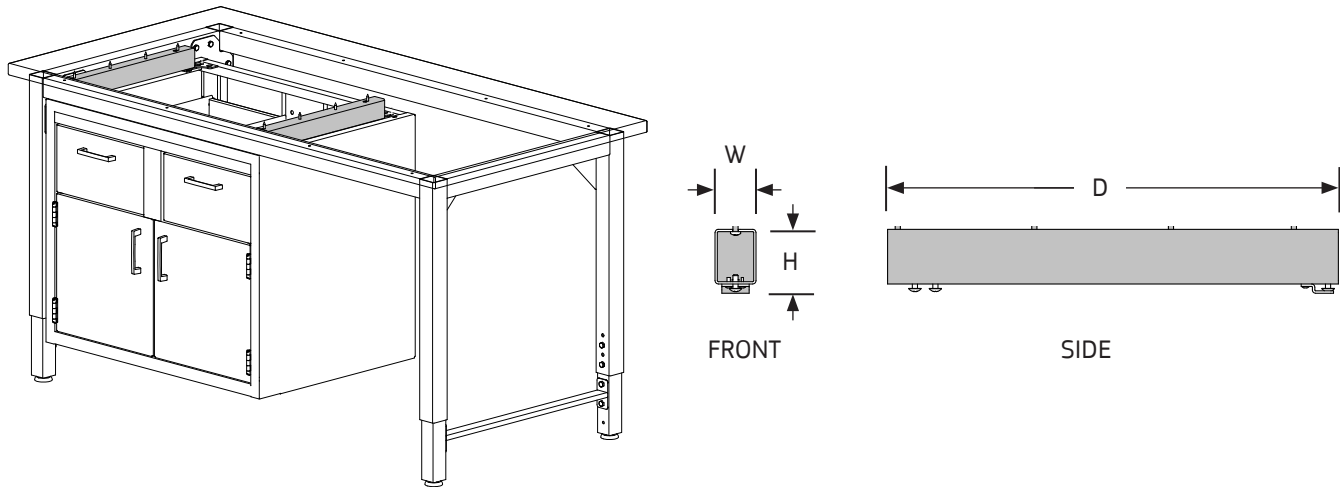
N Non-Locking L Locking

Step 7. Paint Color Code

BK Black
GL Grey Light Smooth
NW Neutral White

Product Number	Description	Height		Width		Depth		Weight	
		in.	[mm]	in.	[mm]	in.	[mm]	lb.	[kg]
LUCB2518S30BN	Suspended, 3-drawer, non-locking	25	635	18	457	21 7/8	556	81	36.7
LUCB2524S30BN	Suspended, 3-drawer, non-locking	25	635	24	610	21 7/8	556	91	41.3
LUCB2518S30BL	Suspended, 3-drawer, locking	25	635	18	457	21 7/8	556	81	36.7
LUCB2524S30BL	Suspended, 3-drawer, locking	25	635	24	610	21 7/8	556	91	41.3
LUCB2518S20BN	Suspended, 2-drawer, non-locking	25	635	18	457	21 7/8	556	81	36.7
LUCB2524S20BN	Suspended, 2-drawer, non-locking	25	635	24	610	21 7/8	556	91	41.3
LUCB2518S20BL	Suspended, 2-drawer, locking	25	635	18	457	21 7/8	556	81	36.7
LUCB2524S20BL	Suspended, 2-drawer, locking	25	635	24	610	21 7/8	556	91	41.3

Rev 01/16/20



4-LEGGED TABLE CABINET MOUNTING BRACKETS

- 4-Legged Table Cabinet Mounting Brackets allow suspended Base Cabinets to be mounted to a work surface on the 4-Legged Table.
- 4-Legged Table, Work Surface, Cabinet and Mounting Brackets must be ordered individually.
- Mounting Brackets are used with 25" high Base Cabinets which vary in width from 18-48 inches.
- Color is Standard White.

NOTES

- » Load capacity (includes cabinet and content) cannot exceed 500 lbs. Load capacity of the suspended cabinet does not supercede support component load rating.
- » The suspended component(s) reduces the surface load capacity by an amount equal to the suspended component and its contents.
- » Recessed pulls available; consult factory.

How to Specify

Step 1. Product Number

LUCB Base Cabinet

Step 2. Mounting Bracket

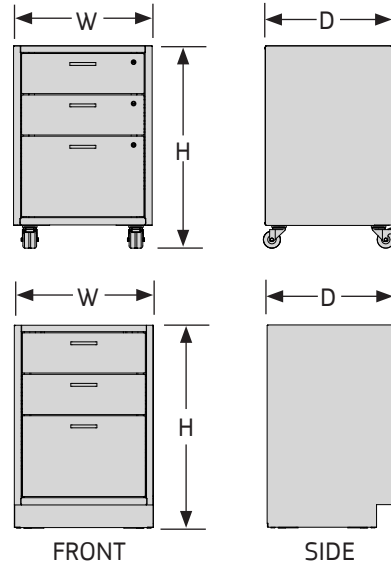
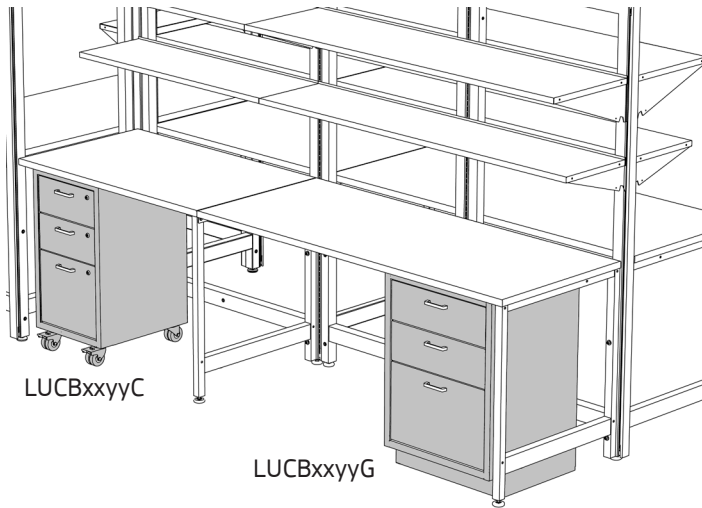
4MB 4-Legged Table

Step 3. Paint Color Code

SW Standard White

Product Number	Description	Height		Width		Depth		Weight	
		in.	[mm]	in.	[mm]	in.	[mm]	lb.	[kg]
LUCB4MBSW	Mounting bracket, pair	2 ¾	60	2	51	16 ½	419	5	2.3

Rev 07/21/15



BASE CABINETS, STANDING HEIGHT 3-DRAWER

- Built to SEFA standards, Cabinets are constructed of welded 18 and 20 gauge steel with a chemical resistant epoxy powder coat paint finish.
- Drawers have full-extension ball bearing, plated drawer slides.
- Sound deadened drawers have "double pan" construction with a bar pull.
- Available with or without locks. Locking cabinets with multiple doors/drawers per unit will have the same key number per unit. Individual units will be keyed randomly and differently from the other. Contact factory for other keying options. Available key numbers are LL226 thru LL327.
- Mobile units have a solid steel top and back with two front total lock casters and two rear swivel casters.
- Stationary units are open on top, contain a removable back panel and include leveling glides.

NOTES

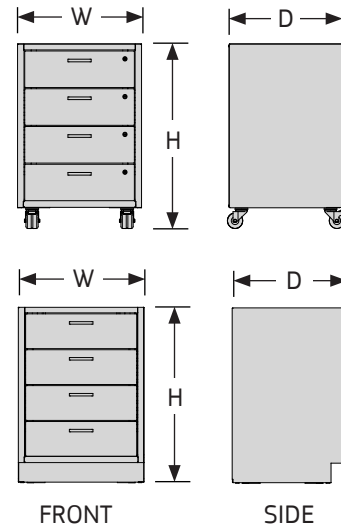
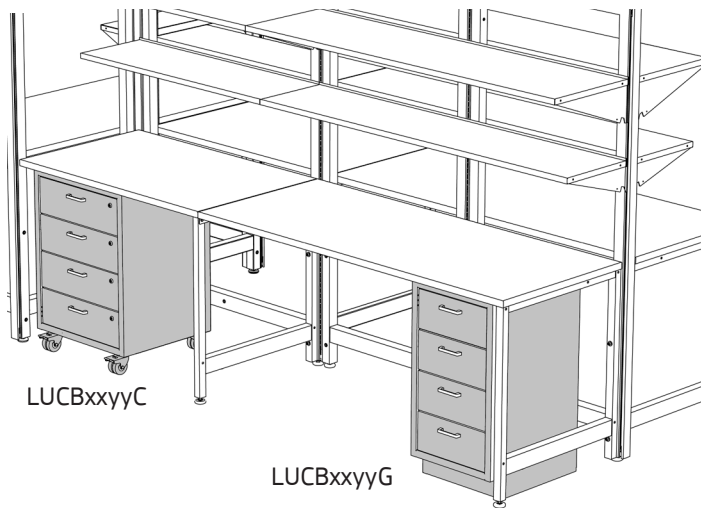
- » Base cabinets can be used in conjunction with UltraFrame, Lab Legs and support brackets; see pages 2.2 - 2.3 and 10.25 - 10.27.
- » Recessed pulls available; consult factory.

How to Specify

- Step 1. Product Number**
LUCB Base Cabinet
- Step 2. Height**
35 35" high
- Step 3. Width**
18 18" wide 24 24" wide
- Step 4. Glide or Casters**
G Glide C Casters
- Step 5. Drawer, Pull Type**
30B 3-Drawer, Bar
- Step 6. Locking/Non-Locking**
N Non-Locking L Locking
- Step 7. Paint Color Code**
BK Black
GL Grey Light Smooth
NW Neutral White

Product Number	Description	Height		Width		Depth		Weight	
		in.	[mm]	in.	[mm]	in.	[mm]	lb.	[kg]
LUCB3518G30BN	Standing height, glides, non-locking	35	889	18	457	21 7/8	556	110	49.9
LUCB3524G30BN	Standing height, glides, non-locking	35	889	24	610	21 7/8	556	125	56.7
LUCB3518G30BL	Standing height, glides, locking	35	889	18	457	21 7/8	556	110	49.9
LUCB3524G30BL	Standing height, glides, locking	35	889	24	610	21 7/8	556	125	56.7
LUCB3518C30BN	Standing height, casters, non-locking	35	889	18	457	21 7/8	556	116	52.6
LUCB3524C30BN	Standing height, casters, non-locking	35	889	24	610	21 7/8	556	101	45.8
LUCB3518C30BL	Standing height, casters, locking	35	889	18	457	21 7/8	556	116	52.6
LUCB3524C30BL	Standing height, casters, locking	35	889	24	610	21 7/8	556	101	45.8

Rev 01/16/20



BASE CABINETS, STANDING HEIGHT 4-DRAWER

- Built to SEFA standards, Cabinets are constructed of welded 18 and 20 gauge steel with a chemical resistant epoxy powder coat paint finish.
- Drawers have full-extension ball bearing, plated drawer slides.
- Sound deadened drawers have "double pan" construction with a bar pull.
- Available with or without locks. Locking cabinets with multiple doors/drawers per unit will have the same key number per unit. Individual units will be keyed randomly and differently from the other. Contact factory for other keying options. Available key numbers are LL226 thru LL327.
- Mobile units have a solid steel top and back with two front total lock casters and two rear swivel casters.
- Stationary units are open on top, contain a removable back panel and include leveling glides.

NOTES

- » Base cabinets can be used in conjunction with UltraFrame, Lab Legs and support brackets; see pages 2.2 - 2.3 and 10.25 - 10.27.
- » Recessed pulls available; consult factory.

How to Specify

Step 1. Product Number

LUCB Base Cabinet

Step 2. Height

35 35" high

Step 3. Width

18 18" wide 24 24" wide

Step 4. Glide or Casters

G Glide C Casters

Step 5. Drawer, Pull Type

40B 4-Drawer, Bar

Step 6. Locking/Non-Locking

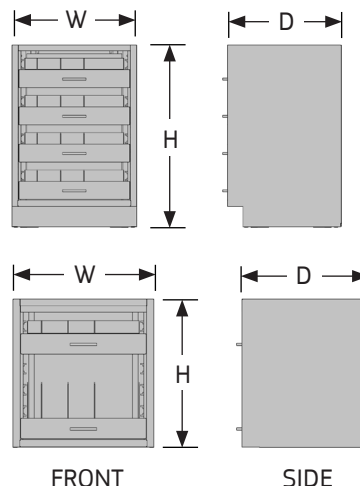
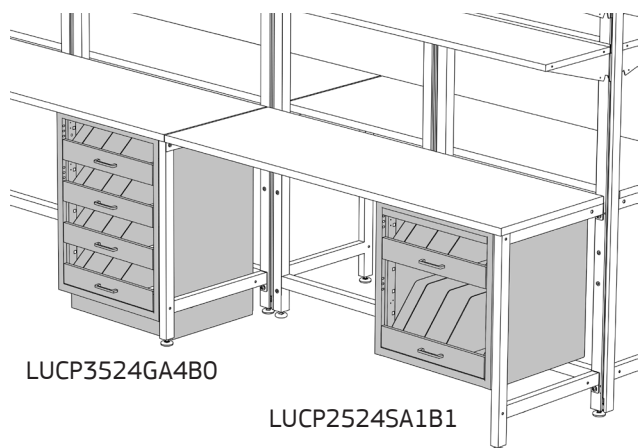
N Non-Locking L Locking

Step 7. Paint Color Code

BK Black
 GL Grey Light Smooth
 NW Neutral White

Product Number	Description	Height		Width		Depth		Weight	
		in.	[mm]	in.	[mm]	in.	[mm]	lb.	[kg]
LUCB3518G40BN	Standing height, glides, non-locking	35	889	18	457	21 7/8	556	115	52.2
LUCB3524G40BN	Standing height, glides, non-locking	35	889	24	610	21 7/8	556	130	59.0
LUCB3518G40BL	Standing height, glides, locking	35	889	18	457	21 7/8	556	115	52.2
LUCB3524G40BL	Standing height, glides, locking	35	889	24	610	21 7/8	556	130	59.0
LUCB3518C40BN	Standing height, casters, non-locking	35	889	18	457	21 7/8	556	121	54.9
LUCB3524C40BN	Standing height, casters, non-locking	35	889	24	610	21 7/8	556	136	61.7
LUCB3518C40BL	Standing height, casters, locking	35	889	18	457	21 7/8	556	121	54.9
LUCB3524C40BL	Standing height, casters, locking	35	889	24	610	21 7/8	556	136	61.7

Rev 01/16/20



BOTTLE DRAWER CABINETS

- Built to SEFA standards, Cabinets are constructed of welded 18 and 20 gauge steel with a chemical resistant epoxy powder coat paint finish.
- Drawers have full-extension ball bearing, plated drawer slides.
- Suspended bottle drawers can be hung from the underside of surfaces and 4-Legged Tables.
- A-size drawers are 5¼" H and B-size drawers are 9½" H.
- Drawer wrappers, binning strips and 3 drawer dividers provided with each drawer.

NOTES

- » Load capacity is 50 lbs. per drawer.
- » The suspended component(s) reduces the surface load capacity by an amount equal to the suspended component and its contents.
- » Recessed pulls available; consult factory.

How to Specify

Step 1. Product Number

LUCP Bottle Drawer Cabinet

Step 2. Height

25 25" high 29 29" high 35 35" high

Step 3. Width

24 24" wide

Step 4. Suspended or Glide

S Suspended G Glide

Step 5. Drawer Size and Quantity

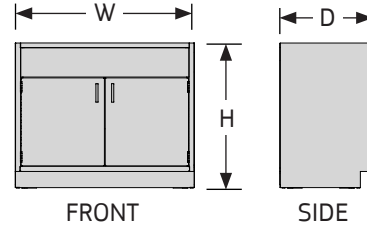
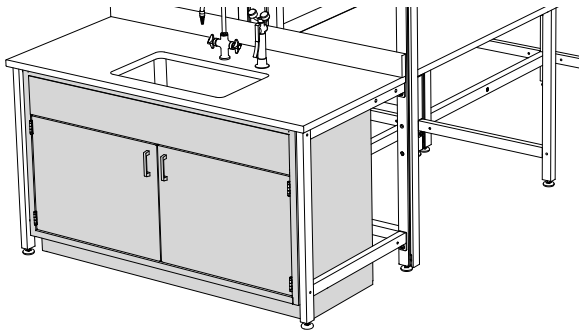
A0 (0) A-size B0 (0) B-size
 A1 (1) A-size B1 (1) B-size
 A3 (3) A-size B2 (2) B-size
 A4 (4) A-size

Step 6. Paint Color Code

BK Black
 GL Grey Light Smooth
 NW Neutral White

Product Number	Description	Height		Width		Depth		Weight	
		in.	[mm]	in.	[mm]	in.	[mm]	lb.	[kg]
LUCP2524SA0B2	Bottle drawer, suspended	25	635	24	610	21 7/8	556	107	48.5
LUCP2524SA1B1	Bottle drawer, suspended	25	635	24	610	21 7/8	556	105	47.6
LUCP2524SA3B0	Bottle drawer, suspended	25	635	24	610	21 7/8	556	117	53.1
LUCP2924GA0B2	Bottle drawer, glides	29	737	24	610	21 7/8	556	110	49.9
LUCP2924GA1B1	Bottle drawer, glides	29	737	24	610	21 7/8	556	108	49.0
LUCP2924GA3B0	Bottle drawer, glides	29	737	24	610	21 7/8	556	120	54.4
LUCP3524GA0B2	Bottle drawer, glides	35	889	24	610	21 7/8	556	115	52.2
LUCP3524GA1B2	Bottle drawer, glides	35	889	24	610	21 7/8	556	130	59.0
LUCP3524GA2B1	Bottle drawer, glides	35	889	24	610	21 7/8	556	128	58.1
LUCP3524GA4B0	Bottle drawer, glides	35	889	24	610	21 7/8	556	140	63.5

Rev 09/22/15



SINK BASE CABINET, STANDARD

- Built to SEFA standards, Cabinets are constructed of welded 18 and 20 gauge steel with a chemical resistant epoxy powder coat paint finish.
- Sound deadened doors have "double pan" construction with a bar pull.
- Doors have 5-knuckle stainless steel institutional type hinges.
- Features a removable bottom pan as well as open upper back for access to plumbing.
- Available with or without locks. Locking cabinets with multiple doors/drawers per unit will have the same key number per unit. Individual units will be keyed randomly and differently from the other. Contact factory for other keying options. Available key numbers are LL226 thru LL327.

NOTES

- » Sink Bases can be used in conjunction with UltraFrame, Lab Legs and support brackets; see pages 2.2 - 2.3 and 10.25 - 10.27.
- » Recessed pulls available; consult factory.

How to Specify

Step 1. Product Number

LUCS Sink Base Cabinet

Step 2. Height

35 35" high

Step 3. Width

18 18" wide 24 24" wide 30 30" wide
 36 36" wide 42 42" wide 48 48" wide
 52 52" wide 58 58" wide

Step 4. Door, Hinge Location, Pull Type

LB Single, Left, Bar RB Single, Right, Bar
 DB Double, Bar

Step 5. Locking/Non-Locking

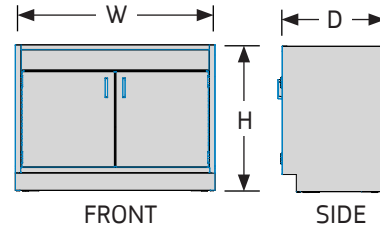
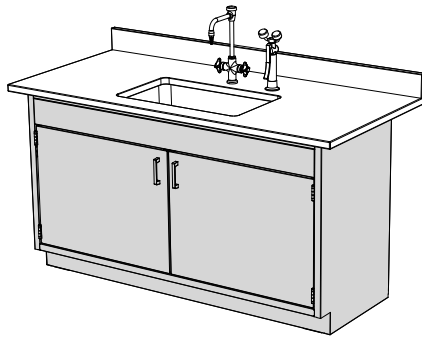
N Non-Locking L Locking

Step 6. Paint Color Code

BK Black
 GL Grey Light Smooth
 NW Neutral White

Product Number	Description	Height		Width		Depth		Weight	
		in.	[mm]	in.	[mm]	in.	[mm]	lb.	[kg]
LUCS3518LBN	Left hinged, single door, non-locking	35	889	18	457	21 7/8	556	75	34.0
LUCS3518RBN	Right hinged, single door, non-locking	35	889	18	457	21 7/8	556	75	34.0
LUCS3524LBN	Left hinged, single door, non-locking	35	889	24	610	21 7/8	556	85	38.6
LUCS3524RBN	Right hinged, single door, non-locking	35	889	24	610	21 7/8	556	85	38.6
LUCS3530DBN	Double door, non-locking	35	889	30	762	21 7/8	556	105	47.6
LUCS3536DBN	Double door, non-locking	35	889	36	914	21 7/8	556	105	47.6
LUCS3542DBN	Double door, non-locking	35	889	42	1067	21 7/8	556	120	54.4
LUCS3548DBN	Double door, non-locking	35	889	48	1219	21 7/8	556	125	56.7
LUCS3552DBN	Double door, non-locking	35	889	52	1321	21 7/8	556	135	61.2
LUCS3558DBN	Double door, non-locking	35	889	58	1473	21 7/8	556	140	63.5
LUCS3518LBL	Left hinged, single door, locking	35	889	18	457	21 7/8	556	75	34.0
LUCS3518RBL	Right hinged, single door, locking	35	889	18	457	21 7/8	556	75	34.0
LUCS3524LBL	Left hinged, single door, locking	35	889	24	610	21 7/8	556	85	38.6
LUCS3524RBL	Right hinged, single door, locking	35	889	24	610	21 7/8	556	85	38.6
LUCS3530DBL	Double door, locking	35	889	30	762	21 7/8	556	105	47.6
LUCS3536DBL	Double door, locking	35	889	36	914	21 7/8	556	105	47.6
LUCS3542DBL	Double door, locking	35	889	42	1067	21 7/8	556	120	54.4
LUCS3548DBL	Double door, locking	35	889	48	1219	21 7/8	556	125	56.7
LUCS3552DBL	Double door, locking	35	889	52	1321	21 7/8	556	135	61.2
LUCS3558DBL	Double door, locking	35	889	58	1473	21 7/8	556	140	63.5

Rev 01/16/20



SINK BASE CABINET, ADA, STANDARD

- Built to SEFA standards, Cabinets meet ADA height requirements and are constructed of welded 18 and 20 gauge steel with a chemical resistant epoxy powder coat paint finish.
- Sound deadened doors have "double pan" construction with a bar pull.
- Doors have 5-knuckle stainless steel institutional type hinges.
- Features a removable bottom pan as well as open upper back for access to plumbing.
- Available with or without locks. Locking cabinets with multiple doors/drawers per unit will have the same key number per unit. Individual units will be keyed randomly and differently from the other. Contact factory for other keying options. Available key numbers are LL226 thru LL327.

NOTES

- » Sink Bases can be used in conjunction with UltraFrame, Lab Legs and support brackets; see pages 2.2 - 2.3 and 10.27 - 10.29.
- » Recessed pulls available; consult factory.

How to Specify

Step 1. Product Number

LUCS Sink Base Cabinet, ADA, Standard

Step 2. Height

35 35" high

Step 3. Width

18 18" wide 24 24" wide 30 30" wide
 36 36" wide 42 42" wide 48 48" wide
 52 52" wide 58 58" wide

Step 4. Door, Hinge Location, Pull Type

LB Single, Left, Bar RB Single, Right, Bar
 DB Double, Bar

Step 5. Locking/Non-Locking

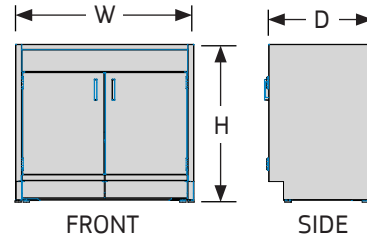
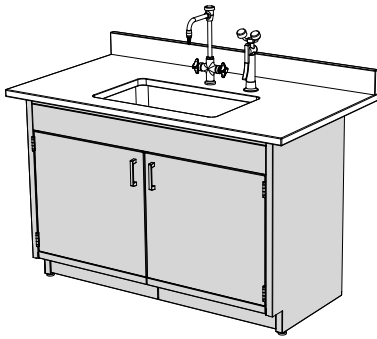
N Non-Locking L Locking

Step 6. Paint Color Code

BK Black
 GL Grey Light Smooth
 NW Neutral White

Product Number	Description	Height		Width		Depth		Weight	
		in.	[mm]	in.	[mm]	in.	[mm]	lb.	[kg]
LUCS3318LBN	Left hinged, single door, non-locking	33	838	18	457	21 7/8	556	75	34
LUCS3318RBN	Right hinged, single door, non-locking	33	838	18	457	21 7/8	556	75	34
LUCS3324LBN	Left hinged, single door, non-locking	33	838	24	610	21 7/8	556	85	39
LUCS3324RBN	Right hinged, single door, non-locking	33	838	24	610	21 7/8	556	85	39
LUCS3330DBN	Double door, non-locking	33	838	30	762	21 7/8	556	105	48
LUCS3336DBN	Double door, non-locking	33	838	36	914	21 7/8	556	110	50
LUCS3342DBN	Double door, non-locking	33	838	42	1067	21 7/8	556	120	54
LUCS3348DBN	Double door, non-locking	33	838	48	1219	21 7/8	556	125	57
LUCS3352DBN	Double door, non-locking	33	838	52	1321	21 7/8	556	140	64
LUCS3358DBN	Double door, non-locking	33	838	58	1473	21 7/8	556	175	79
LUCS3318LBL	Left hinged, single door, locking	33	838	18	457	21 7/8	556	75	34
LUCS3318RBL	Right hinged, single door, locking	33	838	18	457	21 7/8	556	75	34
LUCS3324LBL	Left hinged, single door, locking	33	838	24	610	21 7/8	556	85	39
LUCS3324RBL	Right hinged, single door, locking	33	838	24	610	21 7/8	556	85	39
LUCS3330DBL	Double door, locking	33	838	30	762	21 7/8	556	105	48
LUCS3336DBL	Double door, locking	33	838	36	914	21 7/8	556	110	50
LUCS3342DBL	Double door, locking	33	838	42	1067	21 7/8	556	120	54
LUCS3348DBL	Double door, locking	33	838	48	1219	21 7/8	556	125	57
LUCS3352DBL	Double door, locking	33	838	52	1321	21 7/8	556	140	64
LUCS3358DBL	Double door, locking	33	838	58	1473	21 7/8	556	175	79

Rev 03/12/20



SINK BASE CABINET, ADA, DOOR TO FLOOR

- Built to SEFA standards, Cabinets meet ADA height requirements and are constructed of welded 18 and 20 gauge steel with a chemical resistant epoxy powder coat paint finish.
- Sound deadened doors have "double pan" construction with a bar pull.
- Doors have 5-knuckle stainless steel institutional type hinges.
- Door to floor ADA Sink Base Cabinet door opening includes a integrated toe kick (opens with door).

NOTES

- » Sink Bases can be used in conjunction with UltraFrame, Lab Legs and support brackets; see pages 2.2 - 2.3 and 10.27 - 10.29.
- » Recessed pulls available; consult factory.

How to Specify

Step 1. Product Number

LUCA Sink Base Cabinet, ADA, Door to Floor

Step 2. Height

33 33" high

Step 3. Width

30 30" wide 36 36" wide 42 42" wide
48 48" wide

Step 4. Door, Hinge Location, Pull Type

LB Single, Left, Bar RB Single, Right, Bar
DB Double, Bar

Step 5. Locking/Non-Locking

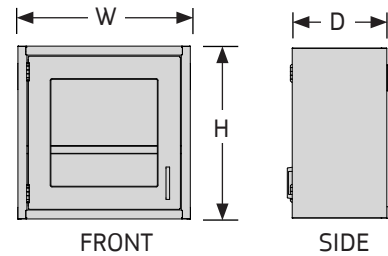
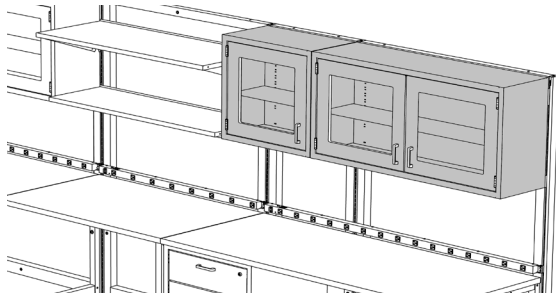
N Non-Locking

Step 6. Paint Color Code

BK Black
GL Grey Light Smooth
NW Neutral White

Product Number	Description	Height		Width		Depth		Weight	
		in.	[mm]	in.	[mm]	in.	[mm]	lb.	[kg]
LUCA3330DBN	Double door, non-locking	33	838	30	762	21 7/8	556	105	48
LUCA3336DBN	Double door, non-locking	33	838	36	914	21 7/8	556	110	50
LUCA3342DBN	Double door, non-locking	33	838	42	1067	21 7/8	556	120	54
LUCA3348DBN	Double door, non-locking	33	838	48	1219	21 7/8	556	125	57

Rev 03/12/20



WALL CASES, GLASS DOORS

- Built to SEFA standards, Cabinets are constructed of welded 18 and 20 gauge steel with a chemical resistant epoxy powder coat paint finish.
- Single or double glass doors are available with or without locks.
- A single full depth adjustable shelf is included with each 24" high cabinet and two shelves are included with each 30" high cabinet.
- Sound deadened doors have "double pan" construction with a bar pull.
- Doors have 5-knuckle stainless steel institutional type hinges.
- All standard wall cases are 13" deep.
- Wall cases include the necessary hardware for mounting to either UltraFrames, Wall Strips or directly to a wall.
- Available with or without locks. Locking cabinets with multiple doors/drawers per unit will have the same key number per unit. Individual units will be keyed randomly and differently from the other. Contact factory for other keying options. Available key numbers are LL226 thru LL327.

NOTES

» Additional shelves, 16" cabinet depth and recessed pulls available; consult factory.

How to Specify

Step 1. Product Number

LUCW Wall Cabinet

Step 2. Height

24 24" high 30 30" high

Step 3. Width

24 24" wide 30 30" wide 36 36" wide
48 48" wide

Step 4. Glass Door, Hinge Location, Pull Type

GLB Single, Left, Bar GRB Single, Right, Bar
GDB Double, Bar

Step 5. Locking/Non-Locking

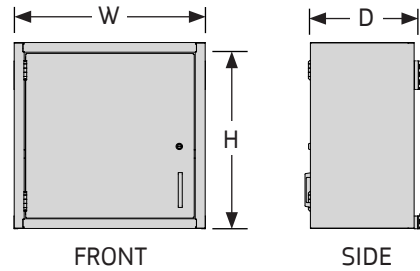
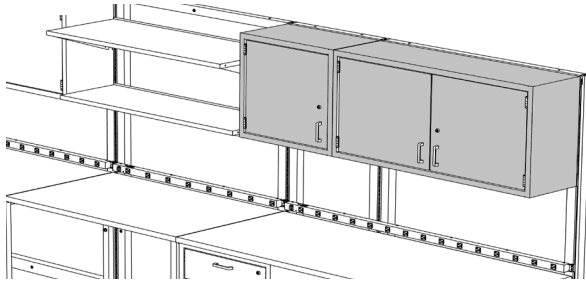
N Non-Locking L Locking

Step 6. Paint Color Code

BK Black GL Grey Light Smooth
NW Neutral White

Product Number	Description	Height		Width		Depth		Weight	
		in.	[mm]	in.	[mm]	in.	[mm]	lb.	[kg]
LUCW2424GLBN	Left hinged, single door, non-locking	24	610	24	610	13	330	55	24.9
LUCW2424GRBN	Right hinged, single door, non-locking	24	610	24	610	13	330	55	24.9
LUCW2430GDBN	Double door, non-locking	24	610	30	762	13	330	70	31.8
LUCW2436GDBN	Double door, non-locking	24	610	36	914	13	330	80	36.3
LUCW2448GDBN	Double door, non-locking	24	610	48	1219	13	330	100	45.4
LUCW3024GLBN	Left hinged, single door, non-locking	31	787	24	610	13	330	70	31.8
LUCW3024GRBN	Right hinged, single door, non-locking	31	787	24	610	13	330	70	31.8
LUCW3030GDBN	Double door, non-locking	31	787	30	762	13	330	85	38.6
LUCW3036GDBN	Double door, non-locking	31	787	36	914	13	330	95	43.1
LUCW3048GDBN	Double door, non-locking	31	787	48	1219	13	330	125	56.7
LUCW2424GLBL	Left hinged, single door, locking	24	610	24	610	13	330	55	24.9
LUCW2424GRBL	Right hinged, single door, locking	24	610	24	610	13	330	55	24.9
LUCW2430GDBL	Double door, locking	24	610	30	762	13	330	70	31.8
LUCW2436GDBL	Double door, locking	24	610	36	914	13	330	80	36.3
LUCW2448GDBL	Double door, locking	24	610	48	1219	13	330	100	45.4
LUCW3024GLBL	Left hinged, single door, locking	31	787	24	610	13	330	70	31.8
LUCW3024GRBL	Right hinged, single door, locking	31	787	24	610	13	330	70	31.8
LUCW3030GDBL	Double door, locking	31	787	30	762	13	330	85	38.6
LUCW3036GDBL	Double door, locking	31	787	36	914	13	330	95	43.1
LUCW3048GDBL	Double door, locking	31	787	48	1219	13	330	125	56.7

Rev 01/16/20



WALL CASES, SOLID DOORS

- Built to SEFA standards, Cabinets are constructed of welded 18 and 20 gauge steel with a chemical resistant epoxy powder coat paint finish.
- Single or double glass doors are available with or without locks.
- A single full depth adjustable shelf is included with each 24" high cabinet and two shelves are included with each 30" high cabinet.
- Sound deadened doors have "double pan" construction with a bar pull.
- Doors have 5-knuckle stainless steel institutional type hinges.
- All standard wall cases are 13" deep.
- Wall cases include the necessary hardware for mounting to either UltraFrames, Wall Strips or directly to a wall.
- Available with or without locks. Locking cabinets with multiple doors/drawers per unit will have the same key number per unit. Individual units will be keyed randomly and differently from the other. Contact factory for other keying options. Available key numbers are LL226 thru LL327.

NOTES

- » Additional shelves, 16" cabinet depth and recessed pulls available; consult factory.

How to Specify

Step 1. Product Number

LUCW Wall Case

Step 2. Height

24 24" high 30 30" high

Step 3. Width

24 24" wide 30 30" wide 36 36" wide
48 48" wide

Step 4. Solid Door, Hinge Location, Pull Type

SLB Single, Left, Bar SRB Single, Right, Bar
SDB Double, Bar

Step 5. Locking/Non-Locking

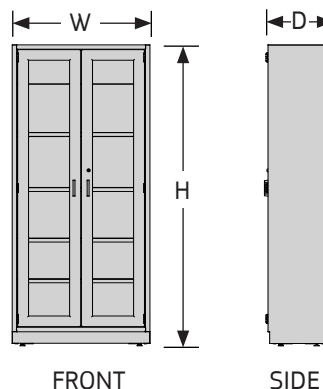
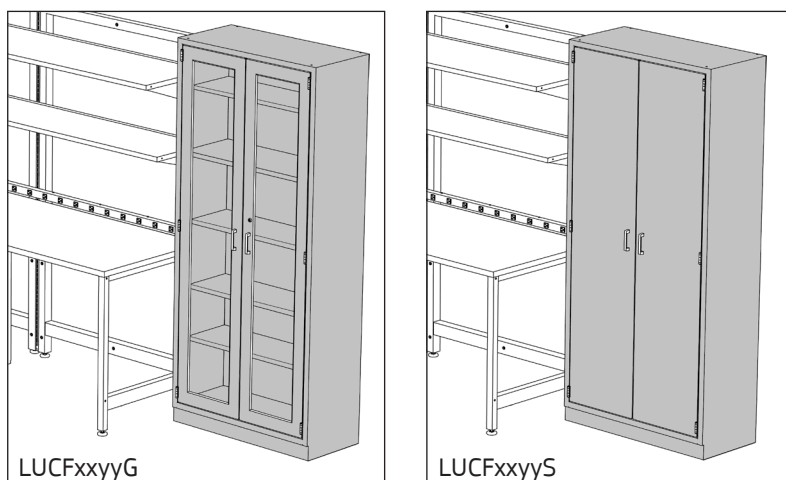
N Non-Locking L Locking

Step 6. Paint Color Code

BK Black GL Grey Light Smooth
NW Neutral White

Product Number	Description	Height		Width		Depth		Weight	
		in.	[mm]	in.	[mm]	in.	[mm]	lb.	[kg]
LUCW2424SLBN	Left hinged, single door, non-locking	24	610	24	610	13	330	55	24.9
LUCW2424SRBN	Right hinged, single door, non-locking	24	610	24	610	13	330	55	24.9
LUCW2430SDBN	Double door, non-locking	24	610	30	762	13	330	70	31.8
LUCW2436SDBN	Double door, non-locking	24	610	36	914	13	330	80	36.3
LUCW2448SDBN	Double door, non-locking	24	610	48	1219	13	330	100	45.4
LUCW3024SLBN	Left hinged, single door, non-locking	31	787	24	610	13	330	70	31.8
LUCW3024SRBN	Right hinged, single door, non-locking	31	787	24	610	13	330	70	31.8
LUCW3030SDBN	Double door, non-locking	31	787	30	762	13	330	85	38.6
LUCW3036SDBN	Double door, non-locking	31	787	36	914	13	330	95	43.1
LUCW3048SDBN	Double door, non-locking	31	787	48	1219	13	330	125	56.7
LUCW2424SLBL	Left hinged, single door, locking	24	610	24	610	13	330	55	24.9
LUCW2424SRBL	Right hinged, single door, locking	24	610	24	610	13	330	55	24.9
LUCW2430SDBL	Double door, locking	24	610	30	762	13	330	70	31.8
LUCW2436SDBL	Double door, locking	24	610	36	914	13	330	80	36.3
LUCW2448SDBL	Double door, locking	24	610	48	1219	13	330	100	45.4
LUCW3024SLBL	Left hinged, single door, locking	31	787	24	610	13	330	70	31.8
LUCW3024SRBL	Right hinged, single door, locking	31	787	24	610	13	330	70	31.8
LUCW3030SDBL	Double door, locking	31	787	30	762	13	330	85	38.6
LUCW3036SDBL	Double door, locking	31	787	36	914	13	330	95	43.1
LUCW3048SDBL	Double door, locking	31	787	48	1219	13	330	125	56.7

Rev 01/16/20



FLOOR CASES

- Built to SEFA standards, Cabinets are constructed of welded 18 and 20 gauge steel with a chemical resistant epoxy powder coat paint finish.
- Solid or glass double doors are available with or without locks.
- Five full depth adjustable shelves are included with each floor case.
- Sound deadened doors have "double pan" construction with a bar pull.
- Doors have 5-knuckle stainless steel institutional type hinges.
- All standard floor cases are 16" deep.
- Available with or without locks. Locking cabinets with multiple doors/drawers per unit will have the same key number per unit. Individual units will be keyed randomly and differently from the other. Contact factory for other keying options. Available key numbers are LL226 thru LL327.

NOTES

- » Floor cases are free-standing and not intended to attach to a frame.
- » Floor cases must be secured to a wall or otherwise supported vertically.
- » Leveling glides included for stability adjustment.
- » Standard depth is 16", consult factory for pricing on 21¼" deep floor cases.

How to Specify

Step 1. Product Number

LUCF Floor Case

Step 2. Depth

16 16" deep

Step 3. Width

36 36" wide 48 48" wide

Step 4. Door Type, Pull Type

SDB Solid, Double, Bar GDB Glass, Double, Bar

Step 5. Locking/Non-Locking

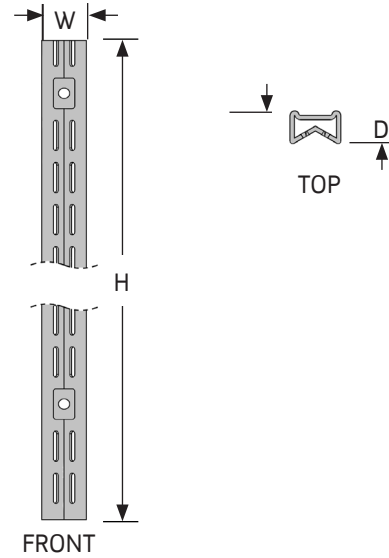
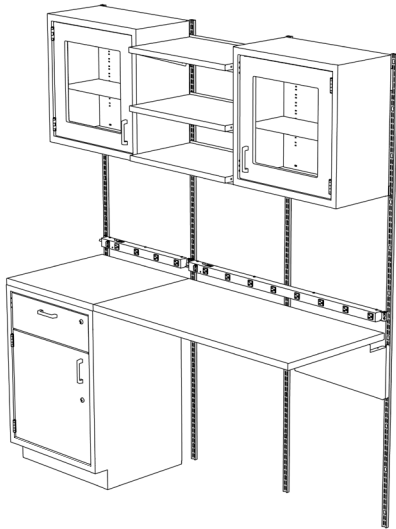
N Non-Locking L Locking

Step 6. Paint Color Code

BK Black
 GL Grey Light Smooth
 NW Neutral White

Product Number	Description	Height		Width		Depth		Weight	
		in.	[mm]	in.	[mm]	in.	[mm]	lb.	[kg]
LUCF1636SDBN	Double solid door, non-locking	84	2134	36	914	16	406	300	136.1
LUCF1636GDBN	Double glass door, non-locking	84	2134	36	914	16	406	305	138.3
LUCF1648SDBN	Double solid door, non-locking	84	2134	48	1219	16	406	380	172.4
LUCF1648GDBN	Double glass door, non-locking	84	2134	48	1219	16	406	390	176.9
LUCF1636SDBL	Double solid door, locking	84	2134	36	914	16	406	300	136.1
LUCF1636GDBL	Double glass door, locking	84	2134	36	914	16	406	305	138.3
LUCF1648SDBL	Double solid door, locking	84	2134	48	1219	16	406	380	172.4
LUCF1648GDBL	Double glass door, locking	84	2134	48	1219	16	406	390	176.9

Rev 01/16/20



WALL STRIPS

- Sold individually, Wall Strips attach with wall fasteners to a structural wall to support hanging components. Two wall strips are required to hang a component.
- The 60" wall strip requires 8 fasteners; the 72" wall strip requires 9 fasteners; and the 84" wall strip requires 11 fasteners.
- Sold individually, not in pairs.

NOTES

- » Wall fasteners not included; consult factory.

How to Specify

Step 1. Product Number

WS Wall Strip

Step 2. Height

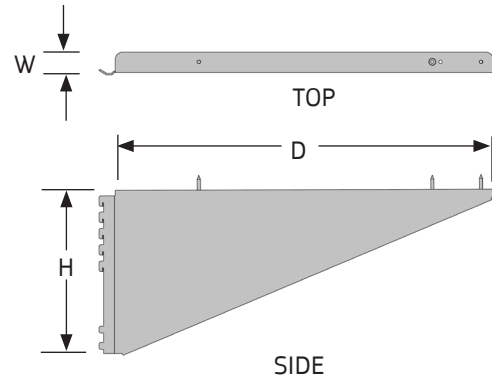
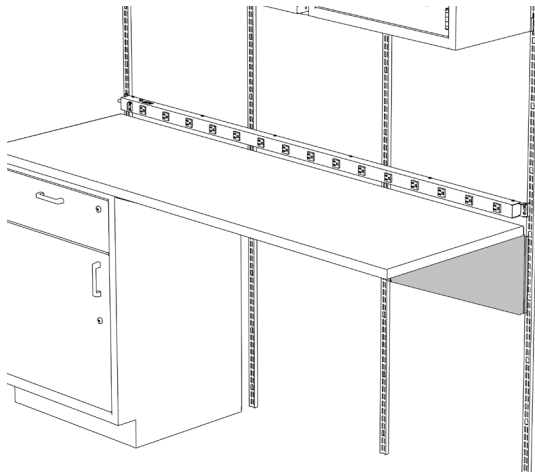
60 60" high 72 72" high 84 84" high

Step 3. Paint Color Code

- BK Black
- GL Grey Light Smooth
- NW Neutral White

Product Number	Description	Height		Width		Depth		Weight	
		in.	[mm]	in.	[mm]	in.	[mm]	lb.	[kg]
WS60	Wall strip	60	1524	1	25	3/4	19	3	1.4
WS72	Wall strip	72	1829	1	25	3/4	19	3	1.4
WS84	Wall strip	84	2134	1	25	3/4	19	3	1.4

Rev 01/29/25



CANTILEVER BRACKETS

- Lab Cantilever Brackets provide manual height adjustable support for 24" and 30" deep work surfaces mounted to UltraFrames supported by Lab Legs.
- Cantilevers also provide mid support for surfaces wider than 60".

NOTES

- » Use 24" cantilevers with 24" and 30" deep surfaces. 36" deep surfaces should be supported with Lab Legs and Adjacent Brackets; see pages 10.27-10.29.
- » 72" and 96" wide frame-mounted surfaces must be supported in the center by Lab Cantilever Brackets. Specify one 18" cantilever per 24" and 30" deep surface and one 24" cantilever per 36" deep surface.
- » Cantilever brackets cannot be used with Lab Reinforcement Bars.

How to Specify

Step 1. Product Number

LUSC Cantilever Bracket

Step 2. Location

L Left R Right

Step 3. Depth

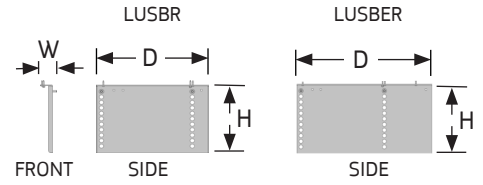
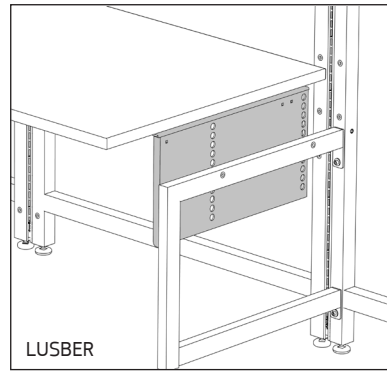
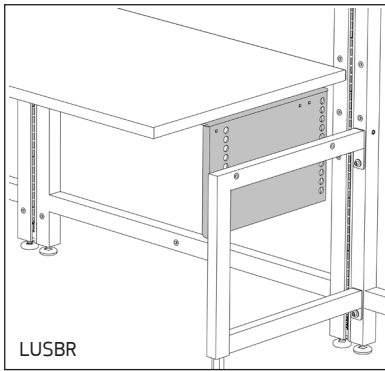
18 18" deep 24 24" deep

Step 4. Paint Color Code

BK Black
 GL Grey Light Smooth
 NW Neutral White

Product Number	Description	Height		Width		Depth		Weight	
		in.	[mm]	in.	[mm]	in.	[mm]	lb.	[kg]
LUSCL18	Left	8 ½	216	1 ¼	32	18 ¼	464	4	1.8
LUSCR18	Right	8 ½	216	1 ¼	32	18 ¼	464	4	1.8
LUSCL24	Left	10 ½	267	1 ¼	32	24 ¼	616	5	2.3
LUSCR24	Right	10 ½	267	1 ¼	32	24 ¼	616	5	2.3

Rev 07/07/10



LAB HEIGHT B SUPPORTS

- Brackets provide manual height adjustable support for Ultra or Work Surfaces mounted to Ultra Leg Supports.
- Height range is 26½" to 36½" for CLM and 31½" to 41½" for CLT.
- Lab Height B Supports allow for surface height alignment with Lab Leg mounted surfaces and provide clearance for Base Cabinets at the nominal 29" and 35" bracket heights.
- Extended brackets are for use with 36" deep surfaces, while the 18½" deep brackets are for use with 24" and 30" deep surfaces.

NOTES

- » 72" and 96" frame-mounted surfaces must be supported in the center by Lab Cantilever Brackets. Specify one 18" cantilever per 24" and 30" deep surface and one 24" cantilever per 36" deep surface.

How to Specify

Step 1. Product Number

- LUSB B Support
- LUSBE B Support, extended

Step 2. Location

- L Left
- R Right

Step 3. Adjustment Range

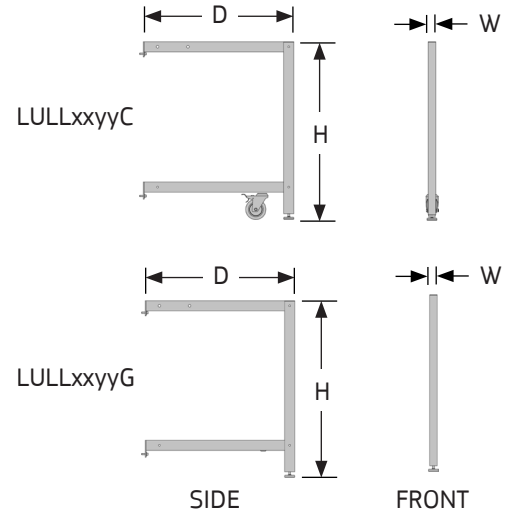
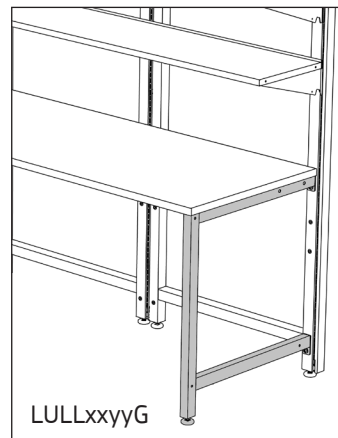
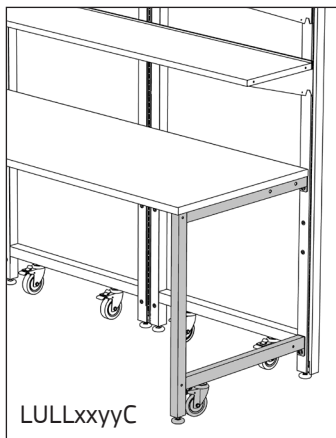
- 10 10" high

Step 4. Paint Color Code

- STANDARD
- AW Arctic White
- AS Argent Silver
- BK Black
- BT Black Texture
- GL Grey Light Smooth
- GT Grey Light Texture
- NW Neutral White
- ST Sand Texture

Product Number	Description	Height		Width		Depth		Weight	
		in.	[mm]	in.	[mm]	in.	[mm]	lb.	[kg]
LUSBL10	Left	12 ½	318	2 ¼	57	18 ⅝	473	12 ½	5.7
LUSBR10	Right	12 ½	318	2 ¼	57	18 ⅝	473	12 ½	5.7
LUSBEL10	Left, extended	12 ½	318	2 ¼	57	24 ⅝	625	16 ½	7.5
LUSBER10	Right, extended	12 ½	318	2 ¼	57	24 ⅝	625	16 ½	7.5

04/01/19



LAB LEGS

- Lab Legs provide standing support for UltraFrames.
- Legs bolt to connection points on both the front and back sides of UltraFrames and Connector Posts (80" high max).
- Legs are each equipped with a leveling glide. Lab Legs with Casters also include a 4" diameter polypropylene caster with totalock brake (simultaneously locks swivel and wheel) and can only be attached to UltraFrames with Casters. Lab legs with Glides bolt to UltraFrames with Glides or Connector Posts.
- Lab Legs cannot be used to support 96" high UltraFrames.
- Surfaces can be mounted directly to the top of Lab Legs mounted inboard of the frame. Outboard mounted Lab Legs require Adjacent Brackets to support the surface.

NOTES

- » The nominal Lab Leg depth must match the nominal surface depth.
- » Adjacent Brackets sold separately; see page 10.28.

How to Specify

Step 1. Product Number

LULL Lab Leg

Step 2. Height

29 29" high 35 35" high

Step 3. Depth

24 24" deep 30 30" deep 36 36" deep

Step 4. Casters or Glide

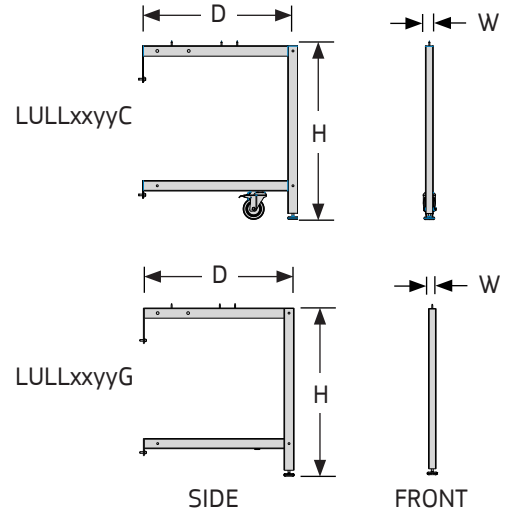
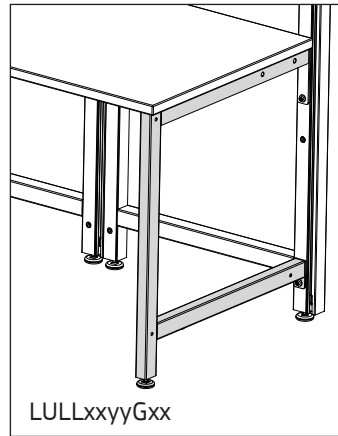
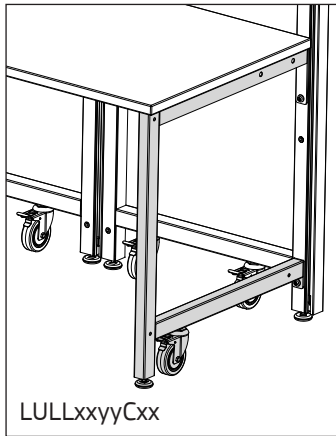
C Casters G Glide

Step 5. Paint Color Code

BK Black
GL Grey Light Smooth
NW Neutral White

Product Number	Description	Height		Width		Depth		Weight	
		in.	[mm]	in.	[mm]	in.	[mm]	lb.	[kg]
LULL2924C	Caster	29	737	1 ½	38	23 ¾	603	13	5.9
LULL2924G	Glide	29	737	1 ½	38	23 ¾	603	13	5.9
LULL2930C	Caster	29	737	1 ½	38	29 ¾	756	14	6.4
LULL2930G	Glide	29	737	1 ½	38	29 ¾	756	14	6.4
LULL2936C	Caster	29	737	1 ½	38	35 ¾	908	15	6.8
LULL2936G	Glide	29	737	1 ½	38	35 ¾	908	15	6.8
LULL3524C	Caster	35	889	1 ½	38	23 ¾	603	14	6.4
LULL3524G	Glide	35	889	1 ½	38	23 ¾	603	14	6.4
LULL3530C	Caster	35	889	1 ½	38	29 ¾	756	15	6.8
LULL3530G	Glide	35	889	1 ½	38	29 ¾	756	15	6.8
LULL3536C	Caster	35	889	1 ½	38	35 ¾	908	16	7.3
LULL3536G	Glide	35	889	1 ½	38	35 ¾	908	16	7.3

Rev 10/20/10



LAB LEGS, ADA

- ADA Lab Legs provide standing support for UltraFrames.
- Legs bolt to connection points on both the front and back sides of UltraFrames and Connector Posts (80" high max).
- Legs are each equipped with a leveling glide. Lab Legs with Casters also include a 4" diameter polypropylene caster with totalock brake (simultaneously locks swivel and wheel) and can only be attached to UltraFrames with Casters. Lab legs with Glides bolt to UltraFrames with Glides or Connector Posts.
- ADA Lab Legs cannot be used to support 96" high UltraFrames.
- Surfaces can be mounted directly to the top of Lab Legs mounted inboard of the frame. Outboard mounted Lab Legs require Adjacent Brackets to support the surface.

NOTES

- » The nominal Lab Leg depth must match the nominal surface depth.
- » Adjacent Brackets sold separately; see page 10.28.

How to Specify

Step 1. Product Number

LULL Lab Leg, ADA

Step 2. Height

33 33" high

Step 3. Depth

24 24" deep 30 30" deep 36 36" deep

Step 4. Casters or Glide

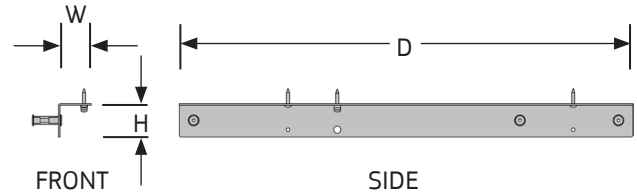
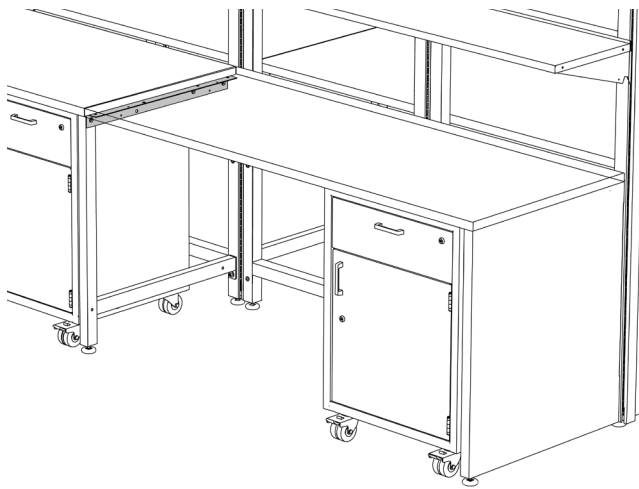
C Casters G Glide

Step 5. Paint Color Code

BK Black
GL Grey Light Smooth
NW Neutral White

Product Number	Description	Height		Width		Depth		Weight	
		in.	[mm]	in.	[mm]	in.	[mm]	lb.	[kg]
LULL3324C	Caster	33	838	1 ½	38	23 ¾	603	16	7.3
LULL3324G	Glide	33	838	1 ½	38	23 ¾	603	16	7.3
LULL3330C	Caster	33	838	1 ½	38	29 ¾	756	17	7.7
LULL3330G	Glide	33	838	1 ½	38	29 ¾	756	17	7.7
LULL3336C	Caster	33	838	1 ½	38	35 ¾	908	18	8.2
LULL3336G	Glide	33	838	1 ½	38	35 ¾	908	18	8.2

Rev 08/20/20



ADJACENT BRACKETS

- Adjacent Brackets provide fixed height support for work surfaces mounted to Lab Legs outboard of the UltraFrame.
- Brackets can be used in conjunction with Lab Leg Panels and Lab Reinforcement Bars.

NOTES

- » Order nominal bracket depth to match surface depth.

How to Specify

Step 1. Product Number

LUSA Adjacent Bracket

Step 2. Depth

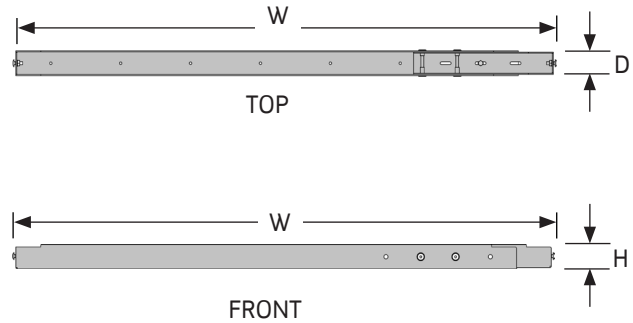
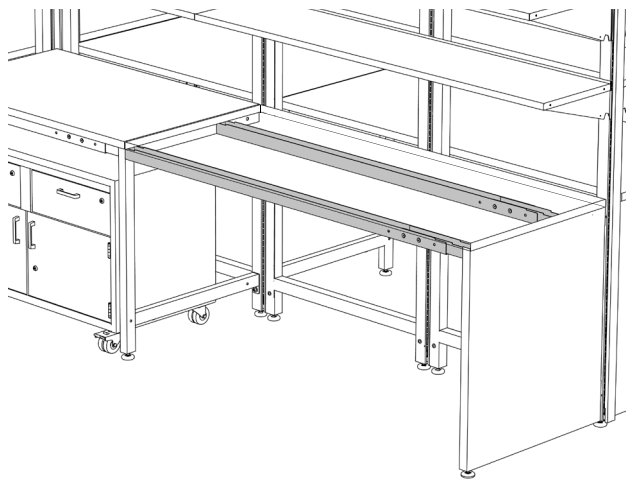
24 24" deep 30 30" deep 36 36" deep

Step 3. Paint Color Code

- BK Black
- GL Grey Light Smooth
- NW Neutral White

Product Number	Description	Height		Width		Depth		Weight	
		in.	[mm]	in.	[mm]	in.	[mm]	lb.	[kg]
LUSA24	Adjacent bracket	2	51	2	51	21 ½	546	2	0.9
LUSA30	Adjacent bracket	2	51	2	51	27 ½	699	3	1.4
LUSA36	Adjacent bracket	2	51	2	51	33 ½	851	3	1.4

Rev 03/29/10



SURFACE REINFORCEMENT BARS

- Lab Reinforcement Bars provide horizontal support under work surfaces for increased rigidity.
- Bars are sold in pairs and mount at the front and 20" behind the front of Lab Legs.
- Bars adjust over a 6" range to accommodate inboard and outboard Lab Legs and Adjacent Bracket clearance.
- Finish is Black.

NOTES

» Lab Reinforcement Bars cannot be used with Lab Cantilever Brackets.

How to Specify

Step 1. Product Number

LUSR Surface Reinforcement Bars, pair

Step 2. Width

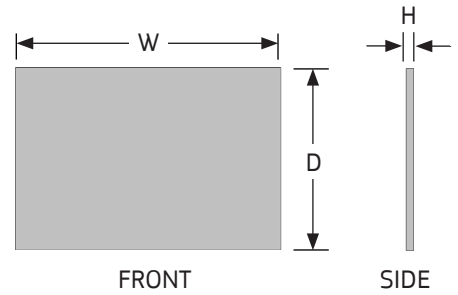
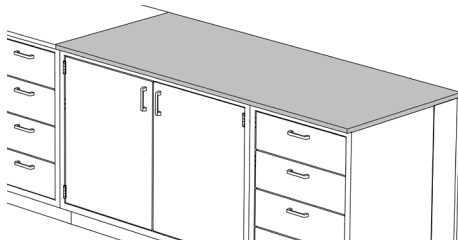
48 48" wide 60 60" wide 72 72" wide

Step 3. Paint Color Code

BK Black

Product Number	Description	Height		Width		Depth		Weight	
		in.	[mm]	in.	[mm]	in.	[mm]	lb.	[kg]
LUSR48BK	Reinforcement bars, pair	2	51	43 ½ - 49 ½	1105 - 1257	2	51	15	6.8
LUSR60BK	Reinforcement bars, pair	2	51	55 ½ - 61 ½	1410 - 1562	2	51	18	8.2
LUSR72BK	Reinforcement bars, pair	2	51	67 ½ - 73 -½	1715 - 1867	2	51	24	10.9

Rev 10/20/10



PHENOLIC LAB SURFACES

- 1" high solid Phenolic Lab Surfaces are full width and depth and can be mounted to Base Cabinets and/or surface supports.
- Surfaces have smooth 1/8" radius corners and edges.
- Surfaces are not predrilled, but include a drip groove inset from the front edge of the surface.
- Phenolic resin material is specifically manufactured for highly corrosive environments and provides exceptional chemical and wear resistance. Contact factory for detailed chemical resistance testing data.
- Load capacity 300 lbs. evenly distributed when supported every five feet.
- Finish is Black.

NOTES

- » Mounting hardware is not included; recommended attaching method is silicone adhesive.
- » See Section 4 for Phenolic Backsplash.

How to Specify

Step 1. Product Number
LUTP Phenolic Lab Surface

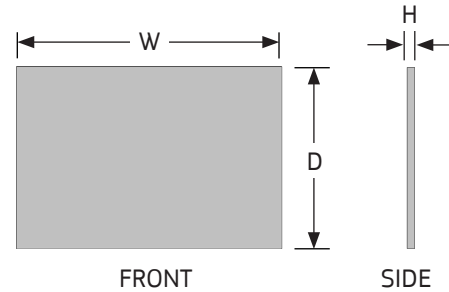
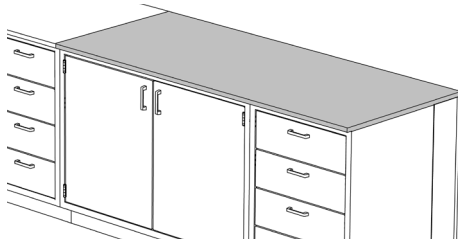
Step 2. Depth
24 24" deep 30 30" deep 36 36" deep

Step 3. Width
24 24" wide 30 30" wide 36 36" wide
48 48" wide 60 60" wide 72 72" wide
96 96" wide 120 120" wide

Step 4. Color Code
BK Black

Product Number	Description	Height		Width		Depth		Weight	
		in.	[mm]	in.	[mm]	in.	[mm]	lb.	[kg]
LUTP2424BK	Phenolic lab surface	1	25	24	610	24	610	29	13.2
LUTP2430BK	Phenolic lab surface	1	25	30	762	24	610	36	16.3
LUTP2436BK	Phenolic lab surface	1	25	36	914	24	610	43	19.5
LUTP2448BK	Phenolic lab surface	1	25	48	1219	24	610	58	26.3
LUTP2460BK	Phenolic lab surface	1	25	60	1524	24	610	72	32.7
LUTP2472BK	Phenolic lab surface	1	25	72	1829	24	610	86	39.0
LUTP2496BK	Phenolic lab surface	1	25	96	2438	24	610	115	52.2
LUTP24120BK	Phenolic lab surface	1	25	120	3048	24	610	144	65.3
LUTP3024BK	Phenolic lab surface	1	25	24	610	30	762	36	16.3
LUTP3030BK	Phenolic lab surface	1	25	30	762	30	762	45	20.4
LUTP3036BK	Phenolic lab surface	1	25	36	914	30	762	54	24.5
LUTP3048BK	Phenolic lab surface	1	25	48	1219	30	762	72	32.7
LUTP3060BK	Phenolic lab surface	1	25	60	1524	30	762	90	40.8
LUTP3072BK	Phenolic lab surface	1	25	72	1829	30	762	108	49.0
LUTP3096BK	Phenolic lab surface	1	25	96	2438	30	762	144	65.3
LUTP30120BK	Phenolic lab surface	1	25	120	3048	30	762	180	81.6
LUTP3624BK	Phenolic lab surface	1	25	24	610	36	914	43	19.5
LUTP3630BK	Phenolic lab surface	1	25	30	762	36	914	54	24.5
LUTP3636BK	Phenolic lab surface	1	25	36	914	36	914	65	29.5
LUTP3648BK	Phenolic lab surface	1	25	48	1219	36	914	86	39.0
LUTP3660BK	Phenolic lab surface	1	25	60	1524	36	914	108	49.0
LUTP3672BK	Phenolic lab surface	1	25	72	1829	36	914	130	59.0
LUTP3696BK	Phenolic lab surface	1	25	96	2438	36	914	173	78.5
LUTP36120BK	Phenolic lab surface	1	25	120	3048	36	914	216	98.0

Rev 03/20/12



EPOXY LAB SURFACES

- 1" high Epoxy Lab Surfaces have smooth 1/8" beveled top front edge. All other edges and corners have a slight break.
- Surfaces are full width and depth and can be mounted to Base Cabinets and/or surface supports.
- Surfaces are not predrilled, but include a drip groove inset from the front edge of the surface (or underside of sink top exposed edges).
- Load capacity 300 lbs. evenly distributed (supported every five feet).
- Surfaces are specially compounded and cured to produce excellent physical, chemical, and heat resistance. Contact factory for detailed testing data.
- Non-glaring matte finish and black in color.

NOTES

- » Mounting hardware not included; recommended attaching method is an approved epoxy adhesive or silicone.
- » See Section 4 for Epoxy Resin Backsplash.
- » Other colors available; Premium pricing. Consult factory.

How to Specify

Step 1. Product Number

LUTE Epoxy Lab Surfaces

Step 2. Depth

24 24" deep 30 30" deep 36 36" deep

Step 3. Width

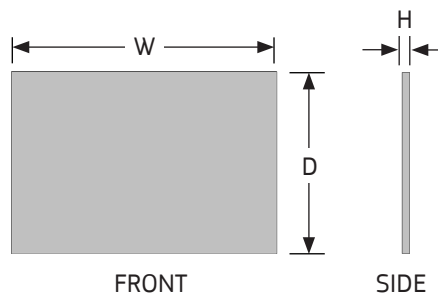
24 24" wide 30 30" wide 36 36" wide
 48 48" wide 60 60" wide 72 72" wide
 96 96" wide

Step 4. Color Code

BK Black

PRODUCT NUMBER	DESCRIPTION	HEIGHT		WIDTH		DEPTH		WEIGHT	
		IN.	[MM]	IN.	[MM]	IN.	[MM]	LB.	[KG]
LUTE2424BK	Epoxy Lab Surface	1	25	24	610	24	610	44	20.0
LUTE2430BK	Epoxy Lab Surface	1	25	30	762	24	610	55	24.9
LUTE2436BK	Epoxy Lab Surface	1	25	36	914	24	610	66	29.9
LUTE2448BK	Epoxy Lab Surface	1	25	48	1219	24	610	88	39.9
LUTE2460BK	Epoxy Lab Surface	1	25	60	1524	24	610	110	49.9
LUTE2472BK	Epoxy Lab Surface	1	25	72	1829	24	610	132	59.9
LUTE2496BK	Epoxy Lab Surface	1	25	96	2438	24	610	176	79.8
LUTE3024BK	Epoxy Lab Surface	1	25	24	610	30	762	55	24.9
LUTE3030BK	Epoxy Lab Surface	1	25	30	762	30	762	69	31.2
LUTE3036BK	Epoxy Lab Surface	1	25	36	914	30	762	83	37.4
LUTE3048BK	Epoxy Lab Surface	1	25	48	1219	30	762	110	49.9
LUTE3060BK	Epoxy Lab Surface	1	25	60	1524	30	762	138	62.4
LUTE3072BK	Epoxy Lab Surface	1	25	72	1829	30	762	165	74.8
LUTE3096BK	Epoxy Lab Surface	1	25	96	2438	30	762	220	99.8
LUTE3624BK	Epoxy Lab Surface	1	25	24	610	36	914	66	29.9
LUTE3630BK	Epoxy Lab Surface	1	25	30	762	36	914	83	37.4
LUTE3636BK	Epoxy Lab Surface	1	25	36	914	36	914	99	44.9
LUTE3648BK	Epoxy Lab Surface	1	25	48	1219	36	914	132	59.9
LUTE3660BK	Epoxy Lab Surface	1	25	60	1524	36	914	165	74.8
LUTE3672BK	Epoxy Lab Surface	1	25	72	1829	36	914	198	89.8
LUTE3696BK	Epoxy Lab Surface	1	25	96	2438	36	914	264	119.7

Rev 5/15/24



GREENSTONE EPOXY LAB SURFACES

- 1" high Greenstone Epoxy Lab Surfaces have smooth 1/8" beveled top front edge. All other edges and corners have a slight break.
- Surfaces are full width and depth and can be mounted to Base Cabinets and/or surface supports.
- Surfaces are not predrilled, but include a drip groove inset from the front edge of the surface (or underside of sink top exposed edges).
- Load capacity 300 lbs. evenly distributed (supported every five feet).
- Surfaces are compounded and cured to produce excellent physical, chemical, and heat resistance. Contact factory for testing data.
- Non-glaring matte finish and black in color.
- Greenstone epoxy resin contains a minimum 10% recycled content and low VEC levels.

NOTES

- » Mounting hardware not included; recommended attaching method is an approved epoxy adhesive or silicone.
- » See Section 4 for Epoxy Resin Backsplash.
- » Other colors available; Premium pricing. Consult factory.

How to Specify

Step 1. Product Number

LUTG Greenstone Epoxy Lab Surfaces

Step 2. Depth

24 24" deep 30 30" deep 36 36" deep

Step 3. Width

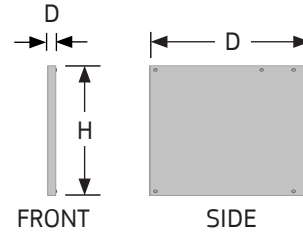
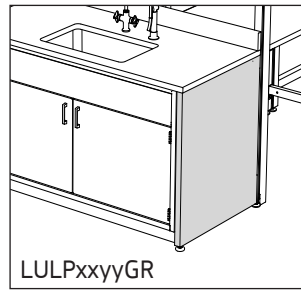
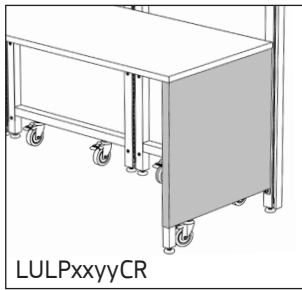
24 24" wide 30 30" wide 36 36" wide
 48 48" wide 60 60" wide 72 72" wide
 96 96" wide

Step 4. Color Code

BK Black

PRODUCT NUMBER	DESCRIPTION	HEIGHT		WIDTH		DEPTH		WEIGHT	
		IN.	[MM]	IN.	[MM]	IN.	[MM]	LB.	[KG]
LUTG2424BK	Greenstone Epoxy Lab Surface	1	25	24	610	24	610	44	20.0
LUTG2430BK	Greenstone Epoxy Lab Surface	1	25	30	762	24	610	55	24.9
LUTG2436BK	Greenstone Epoxy Lab Surface	1	25	36	914	24	610	66	29.9
LUTG2448BK	Greenstone Epoxy Lab Surface	1	25	48	1219	24	610	88	39.9
LUTG2460BK	Greenstone Epoxy Lab Surface	1	25	60	1524	24	610	110	49.9
LUTG2472BK	Greenstone Epoxy Lab Surface	1	25	72	1829	24	610	132	59.9
LUTG2496BK	Greenstone Epoxy Lab Surface	1	25	96	2438	24	610	176	79.8
LUTG3024BK	Greenstone Epoxy Lab Surface	1	25	24	610	30	762	55	24.9
LUTG3030BK	Greenstone Epoxy Lab Surface	1	25	30	762	30	762	69	31.2
LUTG3036BK	Greenstone Epoxy Lab Surface	1	25	36	914	30	762	83	37.4
LUTG3048BK	Greenstone Epoxy Lab Surface	1	25	48	1219	30	762	110	49.9
LUTG3060BK	Greenstone Epoxy Lab Surface	1	25	60	1524	30	762	138	62.4
LUTG3072BK	Greenstone Epoxy Lab Surface	1	25	72	1829	30	762	165	74.8
LUTG3096BK	Greenstone Epoxy Lab Surface	1	25	96	2438	30	762	220	99.8
LUTG3624BK	Greenstone Epoxy Lab Surface	1	25	24	610	36	914	66	29.9
LUTG3630BK	Greenstone Epoxy Lab Surface	1	25	30	762	36	914	83	37.4
LUTG3636BK	Greenstone Epoxy Lab Surface	1	25	36	914	36	914	99	44.9
LUTG3648BK	Greenstone Epoxy Lab Surface	1	25	48	1219	36	914	132	59.9
LUTG3660BK	Greenstone Epoxy Lab Surface	1	25	60	1524	36	914	165	74.8
LUTG3672BK	Greenstone Epoxy Lab Surface	1	25	72	1829	36	914	198	89.8
LUTG3696BK	Greenstone Epoxy Lab Surface	1	25	96	2438	36	914	264	119.7

Rev 5/15/24



LAB LEG PANELS

- Metal Lab Leg Panels finish the side faces of Lab Legs.
- Lab Leg Panels attach through holes in the Lab Legs with PEM studs and connector nuts.
- Lab Leg Panels for Lab Legs with Casters have clearance at the bottom for caster swivel radius.
- Panels can be used in conjunction with Adjacent Brackets and Reinforcement Bars.

NOTES

- » Lab Leg Panels must be ordered with the same nominal height, depth and glide/caster style as the Lab Leg it will mount on.

How to Specify

Step 1. Product Number

LULP Lab Leg Panel

Step 2. Height

29 29" high 35 35" high

Step 3. Depth

24 24" deep 30 30" deep 36 36" deep

Step 4. Casters or Glide

C Casters G Glide

Step 5. Location

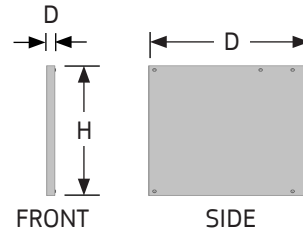
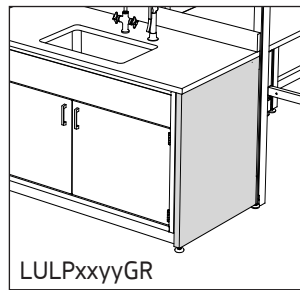
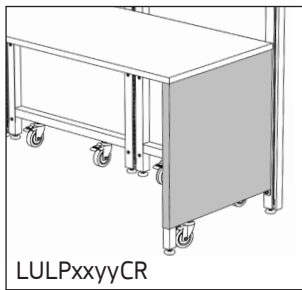
L Left R Right

Step 6. Paint Color Code

BK Black
GL Grey Light Smooth
NW Neutral White

Product Number	Description	Height		Width		Depth		Weight	
		in.	[mm]	in.	[mm]	in.	[mm]	lb.	[kg]
LULP2924CL	Caster, left	23 3/4	603	1 1/2	38	23 3/4	603	15	6.8
LULP2924CR	Caster, right	23 3/4	603	1 1/2	38	23 3/4	603	15	6.8
LULP2924GL	Glide, left	28	711	1 1/2	38	23 3/4	603	15	6.8
LULP2924GR	Glide, right	28	711	1 1/2	38	23 3/4	603	15	6.8
LULP2930CL	Caster, left	23 3/4	603	1 1/2	38	29 3/4	756	16	7.3
LULP2930CR	Caster, right	23 3/4	603	1 1/2	38	29 3/4	756	16	7.3
LULP2930GL	Glide, left	28	711	1 1/2	38	29 3/4	756	16	7.3
LULP2930GR	Glide, right	28	711	1 1/2	38	29 3/4	756	16	7.3
LULP2936CL	Caster, left	23 3/4	603	1 1/2	38	35 3/4	908	17	7.7
LULP2936CR	Caster, right	23 3/4	603	1 1/2	38	35 3/4	908	17	7.7
LULP2936GL	Glide, left	28	711	1 1/2	38	35 3/4	908	17	7.7
LULP2936GR	Glide, right	28	711	1 1/2	38	35 3/4	908	17	7.7
LULP3524CL	Caster, left	29 3/4	756	1 1/2	38	23 3/4	603	16	7.3
LULP3524CR	Caster, right	29 3/4	756	1 1/2	38	23 3/4	603	16	7.3
LULP3524GL	Glide, left	34	864	1 1/2	38	23 3/4	603	16	7.3
LULP3524GR	Glide, right	34	864	1 1/2	38	23 3/4	603	16	7.3
LULP3530CL	Caster, left	29 3/4	756	1 1/2	38	29 3/4	756	17	7.7
LULP3530CR	Caster, right	29 3/4	756	1 1/2	38	29 3/4	756	17	7.7
LULP3530GL	Glide, left	34	864	1 1/2	38	29 3/4	756	17	7.7
LULP3530GR	Glide, right	34	864	1 1/2	38	29 3/4	756	17	7.7
LULP3536CL	Caster, left	29 3/4	756	1 1/2	38	35 3/4	908	18	8.2
LULP3536CR	Caster, right	29 3/4	756	1 1/2	38	35 3/4	908	18	8.2
LULP3536GL	Glide, left	34	864	1 1/2	38	35 3/4	908	18	8.2
LULP3536GR	Glide, right	34	864	1 1/2	38	35 3/4	908	18	8.2

Rev 07/07/10



LAB LEG PANELS, ADA

- Metal ADA Lab Leg Panels finish the side faces of ADA Lab Legs.
- ADA Lab Leg Panels attach through holes in the ADA Lab Legs with PEM studs and connector nuts.
- ADA Lab Leg Panels for ADA Lab Legs with Casters have clearance at the bottom for caster swivel radius.
- Panels can be used in conjunction with Adjacent Brackets and Reinforcement Bars.

NOTES

- » ADA Lab Leg Panels must be ordered with the same nominal height, depth and glide/caster style as the ADA Lab Leg it will mount on.

How to Specify

Step 1. Product Number

LULP Lab Leg Panel, ADA

Step 2. Height

33 33" high

Step 3. Depth

24 24" deep 30 30" deep 36 36" deep

Step 4. Casters or Glide

C Casters G Glide

Step 5. Location

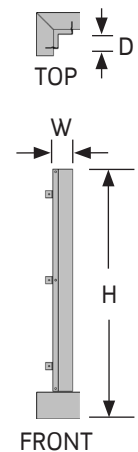
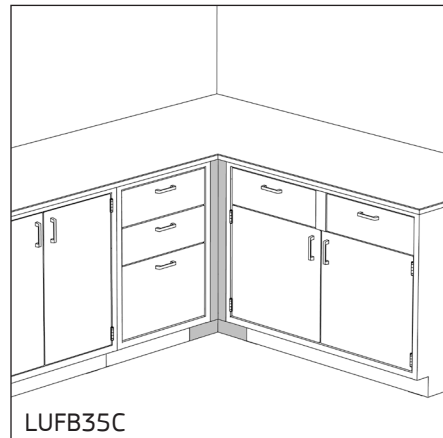
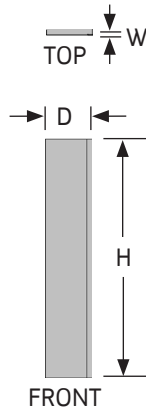
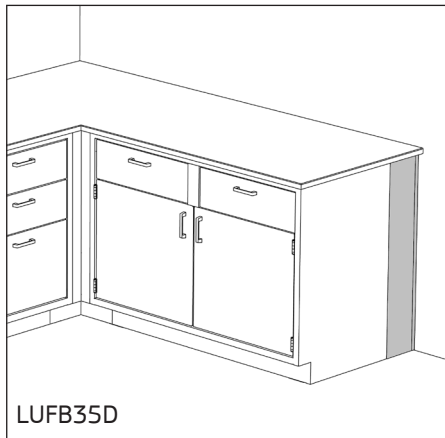
L Left R Right

Step 6. Paint Color Code

BK Black
 GL Grey Light Smooth
 NW Neutral White

Product Number	Description	Height		Width		Depth		Weight	
		in.	[mm]	in.	[mm]	in.	[mm]	lb.	[kg]
LULP3324CL	Caster, left	27 3/4	705	1 1/2	38	23 3/4	603	16	7.3
LULP3324CR	Caster, right	27 3/4	705	1 1/2	38	23 3/4	603	16	7.3
LULP3324GL	Glide, left	32	813	1 1/2	38	23 3/4	603	16	7.3
LULP3324GR	Glide, left	32	813	1 1/2	38	23 3/4	603	16	7.3
LULP3330CL	Caster, left	27 3/4	705	1 1/2	38	29 3/4	756	17	7.7
LULP3330CR	Caster, right	27 3/4	705	1 1/2	38	29 3/4	756	17	7.3
LULP3330GL	Glide, left	32	813	1 1/2	38	29 3/4	756	17	7.3
LULP3330GR	Glide, right	32	813	1 1/2	38	29 3/4	756	17	7.7
LULP3336CL	Caster, left	27 3/4	705	1 1/2	38	35 3/4	908	18	8.2
LULP3336CR	Caster, right	27 3/4	705	1 1/2	38	35 3/4	908	18	8.2
LULP3336GL	Glide, left	32	813	1 1/2	38	35 3/4	908	18	8.2
LULP3336GR	Glide, right	32	813	1 1/2	38	35 3/4	908	18	8.2

Rev 08/20/20



LAB CABINET FILLERS

Rear Base Cabinet Fillers

- Rear Fillers are used in the space between the rear of the cabinet and the wall.
- Fillers provide a clean finished look when surfaces are deeper than the base cabinets and conceal any utilities that are routed behind cabinets.
- Includes a filler panel and a slip joint, which mounts to the wall.

Inside Corner Base Cabinet Fillers

- Corner Fillers are used where two base cabinets meet at a ninety degree angle.
- Includes an angled filler panel, which provides either 1", 2" or 4" clearance between cabinet fronts, mounting clips to attach the filler to the cabinets, and a toekick to conceal cabinet spacing.

NOTES

- » Hardware is not provided to mount filler slip joint to wall.

How to Specify

Step 1. Product Number

LUFB Lab Cabinet Filler

Step 2. Height

35 35" high

Step 3. Location

C Inside Corner D Rear

Step 4. Width (Inside Corner Only)

01 1" wide 02 2" wide 04 4" wide

Step 5. Depth (Deep Surface Only)

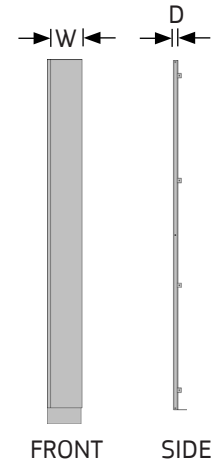
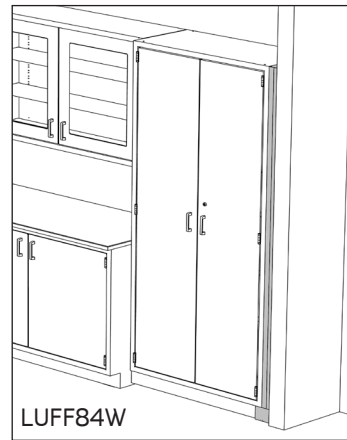
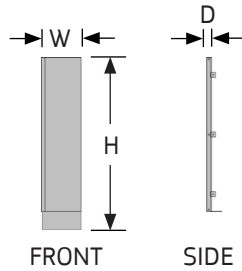
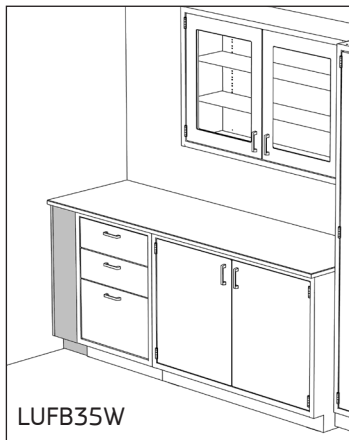
24 24" deep 30 30" deep 36 36" deep

Step 6. Paint Color Code

BK Black
 GL Grey Light Smooth
 NW Neutral White

Product Number	Description	Height		Width		Depth		Weight	
		in.	[mm]	in.	[mm]	in.	[mm]	lb.	[kg]
LUFB35C01	Inside corner	35	889	1	25	1	25	7	3.2
LUFB35C02	Inside corner	35	889	2	51	2	51	8	3.6
LUFB35C04	Inside corner	35	889	4	102	4	102	9	4.1
LUFB35D24	Rear, 24" deep surface	35	889	1	25	1	25	3	1.4
LUFB35D30	Rear, 30" deep surface	35	889	1	25	7	178	4	1.8
LUFB35D36	Rear, 36" deep surface	35	889	1	25	13	330	7	3.2

Rev 10/20/10



LAB CABINET FILLERS, CONT'D

Front Cabinet Fillers

- Front Fillers are used when there is excess space between the side of the Base Cabinet or Floor Case and a wall.
- Filler kit includes a filler panel, mounting clips to attach the filler to the cabinet, a slip joint, which mounts to the wall and a toekick to conceal cabinet spacing.
- Filler panel and toekick can be cut to width in the field to accommodate custom spacing.

NOTES

- » Hardware is not provided to mount filler slip joint to wall.

How to Specify

Step 1. Product Number

LUFB Front Cabinet Filler

Step 2. Height

35 35" high 84 84" high

Step 3. Location

W Wall

Step 4. Width

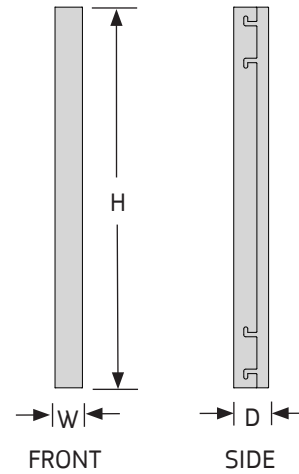
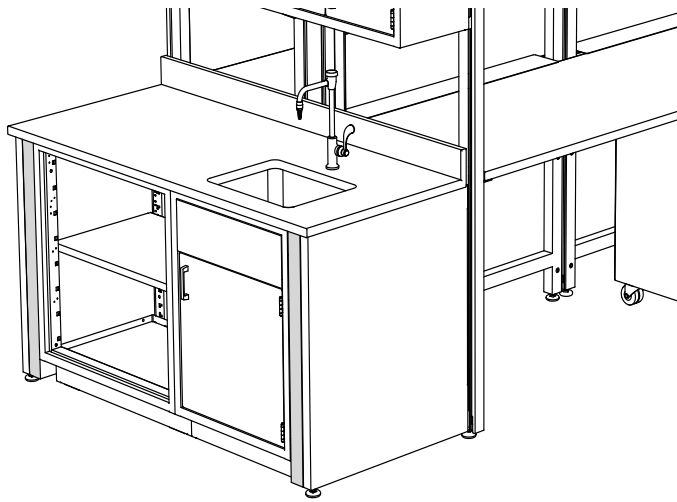
2 2" wide (floor case only)
8 8" wide
14 14" wide (base only)

Step 5. Paint Color Code

BK Black
GL Grey Light Smooth
NW Neutral White

Product Number	Description	Height		Width		Depth		Weight	
		in.	[mm]	in.	[mm]	in.	[mm]	lb.	[kg]
LUFB35W08	Base cabinets	35	889	8	203	1	25	10	4.5
LUFB35W14	Base cabinets	35	889	14	356	1	25	12	5.4
LUFF84W02	Floor case	84	2134	2	51	1	25	22	10.0
LUFF84W08	Floor case	84	2134	8	203	1	25	25	11.3

Rev 02/20/10



LAB LEG FILLERS

- Lab Leg Fillers are used to fill the gap between Lab Legs and adjacent Base Cabinets in an end of run configuration using a Three-way Connector.
- Fillers mount directly to Lab Legs without the need to add holes or hardware to either the leg or adjacent cabinet.

NOTES

- » Hardware to attach Lab Leg Filler is included with the Lab Leg Panel; see page 10.31. If Lab Leg Panels will not be used in conjunction with Lab Leg Fillers, please consult factory for Lab Leg Filler hardware ordering information.
- » Order two half gap style fillers if the difference between the total cabinet width and frame run is 9½" or greater. Order a single full gap filler if the cabinet/frame run difference is 5½".
- » Two half gap style fillers are shown in the above image.

How to Specify

Step 1. Product Number

LULF Lab Leg Filler

Step 2. Height

35 35" high

Step 3. Width

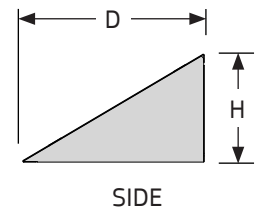
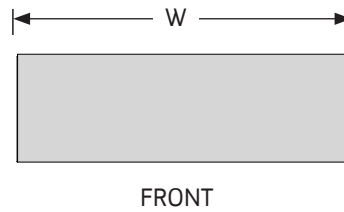
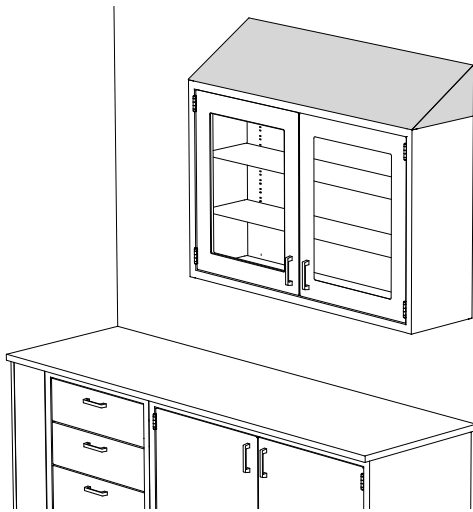
E01 1" wide E02 2½" wide E03 3½" wide

Step 4. Paint Color Code

BK Black
 GL Grey Light Smooth
 NW Neutral White

Product Number	Description	Height		Width		Depth		Weight	
		in.	[mm]	in.	[mm]	in.	[mm]	lb.	[kg]
LULF35E01	Full gap	35	889	1	25	3	76	3	1.4
LULF35E02	Half gap	35	889	2 ½	64	3	76	3 ½	1.6
LULF35E03	Half gap	35	889	3 ½	89	3	76	4	1.8

Rev 10/20/10



SLOPED TOP COVERS

- Covers are made of welded 18 and 20 gauge steel construction with a chemical resistant epoxy powder coat paint finish.
- Slanted top covers inhibit the collection and clutter of items placed on top of wall and floor cases.
- Mounting hardware included.
- Built to SEFA standards.
- Use 13" deep on wall cases; 16" deep on floor cases.

How to Specify

Step 1. Product Number

LUCT Sloped Top Cover

Step 2. Depth

13 13" deep 16 16" deep

Step 3. Width

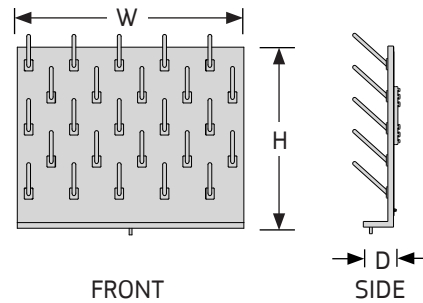
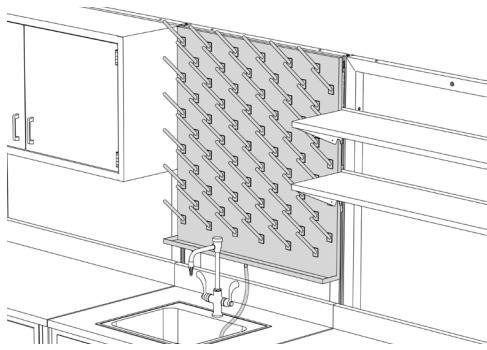
24 24" wide 30 30" wide 36 36" wide
48 48" wide

Step 4. Paint Color Code

BK Black
GL Grey Light Smooth
NW Neutral White

Product Number	Description	Height		Width		Depth		Weight	
		in.	[mm]	in.	[mm]	in.	[mm]	lb.	[kg]
LUCT1324	Sloped top cover	7 3/4	197	24	610	13	330	4	1.8
LUCT1330	Sloped top cover	7 3/4	197	30	762	13	330	4	1.8
LUCT1336	Sloped top cover	7 3/4	197	36	914	13	330	5	2.3
LUCT1348	Sloped top cover	7 3/4	197	48	1219	13	330	6	2.7
LUCT1636	Sloped top cover	7 3/4	197	36	914	16	406	8	3.6
LUCT1648	Sloped top cover	7 3/4	197	48	1219	16	406	9	4.1

Rev 02/12/18



DRAIN BOARD, FRAME-MOUNT

- Frame-mount drain board is constructed of 20 gauge, type 304 stainless steel, polished to a #4 finish.
- Drain boards allow you to quickly dry important, and often fragile, equipment in a sanitary manner.
- Integral stainless steel drip trough included.
- Includes a 3' section of clear plastic drain tubing.

NOTES

- » Standard 6" white pegs are included.

How to Specify

Step 1. Product Number

DBF Drain Board, Frame-Mount

Step 2. Height

18 18" high 24 24" high 30 30" high
36 36" high

Step 3. Width

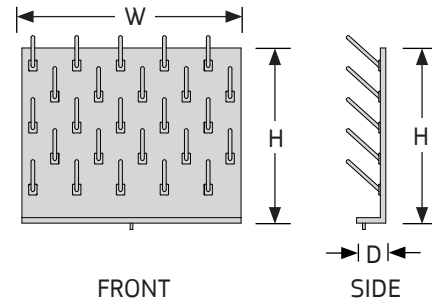
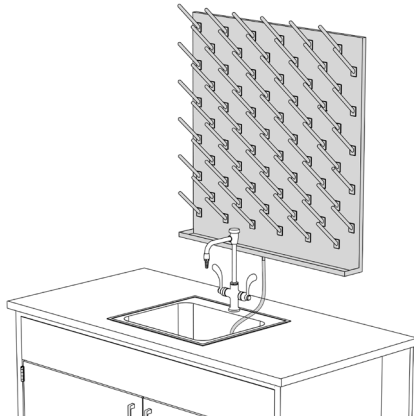
24 24" wide 30 30" wide 36 36" wide

Step 4. Trough Size

2 2" deep 4 4" deep

Product Number	Description	Height		Width		Depth		Weight	
		in.	[mm]	in.	[mm]	in.	[mm]	lb.	[kg]
DBF18242	2" drip trough, 16 pegs	18	457	24	610	2	51	22	10.0
DBF18244	4" drip trough, 16 pegs	18	457	24	610	4	102	22	10.0
DBF24242	2" drip trough, 20 pegs	24	610	24	610	2	51	26	11.8
DBF24244	4" drip trough, 20 pegs	24	610	24	610	4	102	26	11.8
DBF24302	2" drip trough, 25 pegs	24	610	30	762	2	51	31	14.1
DBF24304	4" drip trough, 25 pegs	24	610	30	762	4	102	31	14.1
DBF24362	2" drip trough, 30 pegs	24	610	36	914	2	51	33	15.0
DBF24364	4" drip trough, 30 pegs	24	610	36	914	4	102	33	15.0
DBF30242	2" drip trough, 32 pegs	30	762	24	610	2	51	31	14.1
DBF30244	4" drip trough, 32 pegs	30	762	24	610	4	102	31	14.1
DBF30302	2" drip trough, 50 pegs	30	762	30	762	2	51	38	17.2
DBF30304	4" drip trough, 50 pegs	30	762	30	762	4	102	38	17.2
DBF30362	2" drip trough, 60 pegs	30	762	36	914	2	51	39	17.7
DBF30364	4" drip trough, 60 pegs	30	762	36	914	4	102	39	17.7
DBF36242	2" drip trough, 40 pegs	36	914	24	610	2	51	34	15.4
DBF36244	4" drip trough, 40 pegs	36	914	24	610	4	102	34	15.4
DBF36302	2" drip trough, 40 pegs	36	914	30	762	2	51	39	17.7
DBF36304	4" drip trough, 40 pegs	36	914	30	762	4	102	39	17.7
DBF36362	2" drip trough, 66 pegs	36	914	36	914	2	51	42	19.1
DBF36364	4" drip trough, 66 pegs	36	914	36	914	4	102	42	19.1

Rev 02/12/18



DRAIN BOARD, WALL-MOUNT

- Wall mount drain board is constructed of 20 gauge, type 304 stainless steel, polished to a #4 finish.
- Drain boards allow you to quickly dry important, and often fragile, equipment in a sanitary manner.
- Integral stainless steel drip trough included.
- Includes a 3' section of clear plastic drain tubing.

NOTES

- » Standard 6" white pegs are included.

How to Specify

Step 1. Product Number

DBW Drain Board, Wall-Mount

Step 2. Height

18 18" high 24 24" high 30 30" high
36 36" high

Step 3. Width

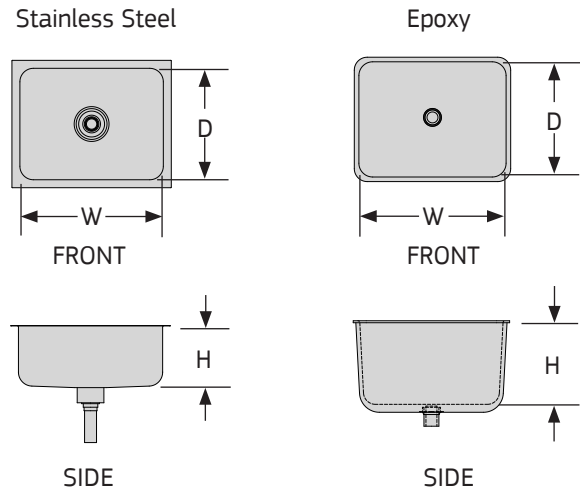
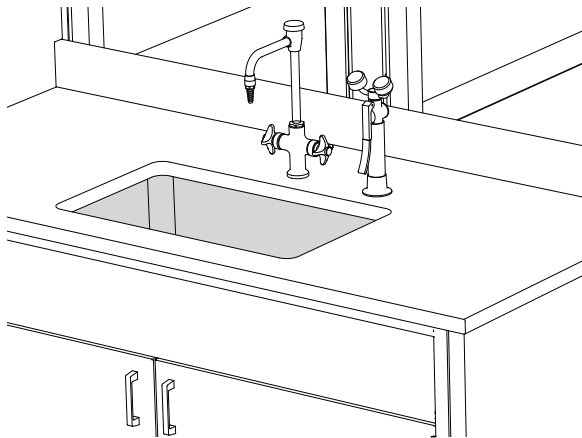
24 24" wide 30 30" wide 36 36" wide

Step 4. Trough Size

2 2" deep 4 4" deep

Product Number	Description	Height		Width		Depth		Weight	
		in.	[mm]	in.	[mm]	in.	[mm]	lb.	[kg]
DBW18242	2" drip trough, 16 pegs	18	457	24	610	2	51	13	5.9
DBW18244	4" drip trough, 16 pegs	18	457	24	610	4	102	13	5.9
DBW24242	2" drip trough, 20 pegs	24	610	24	610	2	51	16	7.3
DBW24244	4" drip trough, 20 pegs	24	610	24	610	4	102	16	7.3
DBW24302	2" drip trough, 25 pegs	24	610	30	762	2	51	20	9.1
DBW24304	4" drip trough, 25 pegs	24	610	30	762	4	102	20	9.1
DBW24362	2" drip trough, 30 pegs	24	610	36	914	2	51	21	9.5
DBW24364	4" drip trough, 30 pegs	24	610	36	914	4	102	21	9.5
DBW30242	2" drip trough, 32 pegs	30	762	24	610	2	51	19	8.6
DBW30244	4" drip trough, 32 pegs	30	762	24	610	4	102	19	8.6
DBW30302	2" drip trough, 50 pegs	30	762	30	762	2	51	24	10.9
DBW30304	4" drip trough, 50 pegs	30	762	30	762	4	102	24	10.9
DBW30362	2" drip trough, 60 pegs	30	762	36	914	2	51	23	10.4
DBW30364	4" drip trough, 60 pegs	30	762	36	914	4	102	23	10.4
DBW36242	2" drip trough, 40 pegs	36	914	24	610	2	51	21	9.5
DBW36244	4" drip trough, 40 pegs	36	914	24	610	4	102	21	9.5
DBW36302	2" drip trough, 40 pegs	36	914	30	762	2	51	23	10.4
DBW36304	4" drip trough, 40 pegs	36	914	30	762	4	102	23	10.4
DBW36362	2" drip trough, 66 pegs	36	914	36	914	2	51	25	11.3
DBW36364	4" drip trough, 66 pegs	36	914	36	914	4	102	25	11.3

Rev 02/12/18



SINK, UNDERMOUNT

- Undermount sinks are installed under a cutout in the surface. Sink supports are required (see below).
- Stainless steel sinks are constructed of 18 gauge, type 304 stainless steel, polished to a #4 finish.
- Stainless steel sinks include stainless steel drain with crumb cup strainer and tailpiece.
- Epoxy sinks are resistant to many acids, solvents and other inert chemicals.
- Epoxy sinks include a sink outlet with strainer plate and integral tailpiece.

NOTES

- » Sinks can be paired with Symbiote phenolic and stainless steel worksurfaces. (See Section 4).
- » Stainless Steel sinks are certified to ASME A112.19.3.

How to Specify

Step 1. Product Number

LUWS Sink
LUWP Undermount Support

Step 2. Sink Type

EOU Epoxy SOU Stainless

Step 3. Depth (Sink only)

14 14" deep 15 15" deep 16 16" deep
18 18" deep (stainless only)

Step 4. Width (Sink only)

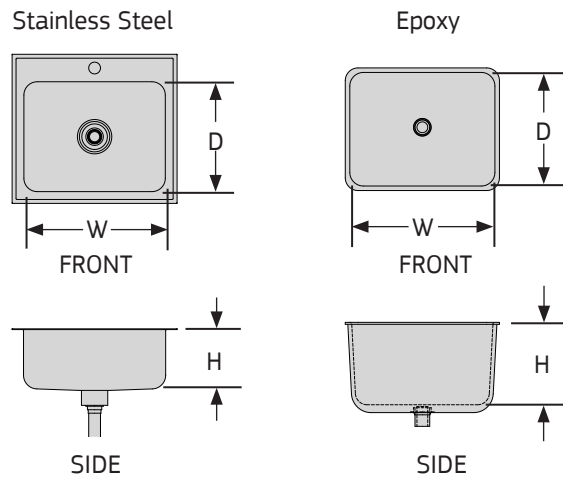
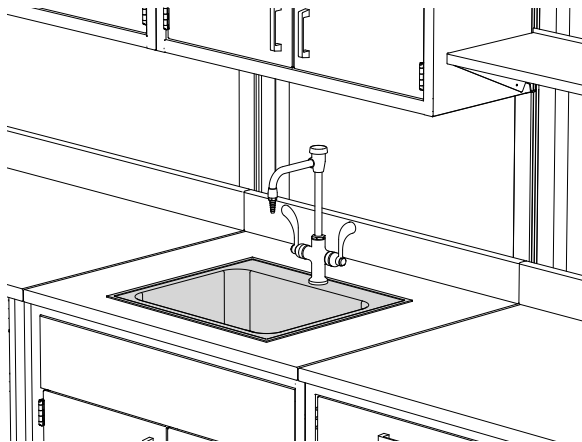
18 18" wide 20 20" wide 24 24" wide
25 25" wide

Step 5. Width (Support Only)

24 24" wide 30 30" wide 36 36" wide
48 48" wide 52 52" wide

Product Number	Description	Height		Width		Depth		Weight	
		in.	[mm]	in.	[mm]	in.	[mm]	lb.	[kg]
LUWSEOU1418F	Epoxy, center drain	10 ½	267	18	457	14	356	38	17.2
LUWSEOU1525E	Epoxy, corner drain	10	254	25	635	15	381	60	27.2
LUWSSOU1620C	Stainless steel, center drain	7 ½	191	18	457	14	356	11	5.0
LUWSSOU1824C	Stainless steel, center drain	7 ½	191	22	559	16	406	14	6.4
LUWP24	Undermount support for 24" wide sink base	15 ½	394	23	584			9	4.1
LUWP30	Undermount support for 30" wide sink base	15 ½	394	29	737			10	4.5
LUWP36	Undermount support for 36" wide sink base	15 ½	394	35	889			12	5.4
LUWP42	Undermount support for 42" wide sink base	15 ½	394	41	1041			12	5.4
LUWP48	Undermount support for 48" wide sink base	15 ½	394	47	1194			13	5.9
LUWP52	Undermount support for 52" wide sink base	15 ½	394	51	1295			14	6.4
LUWP58	Undermount support for 58" wide sink base	15 ½	394	57	1448			15	6.8

Rev 02/26/18



SINK, DROP-IN

- Drop-in sinks are top mounted. This type of installation seals the sink cutout and eliminates worksurface overhang.
- Stainless steel sinks are constructed of 18 gauge, type 304 stainless steel, polished to a #4 finish.
- Stainless steel sinks include stainless steel drain with crumb cup strainer and tailpiece.
- Epoxy sinks are resistant to many acids, solvents and other inert chemicals.
- Epoxy sinks include a sink outlet with strainer plate and integral tailpiece.

NOTES

- » Sinks can be paired with Symbiote laminate, phenolic and stainless steel worksurfaces. (See Section 4).
- » Stainless Steel sinks are certified to ASME A112.19.3.

How to Specify

Step 1. Product Number

LUWS Sink, Drop-In

Step 2. Sink Type

E Epoxy S Stainless

Step 3. Fixture Holes

OD No fixture holes 1D One fixture hole

Step 4. Depth

14 14" deep 15 15" deep 19 19" deep
22 22" deep

Step 5. Width

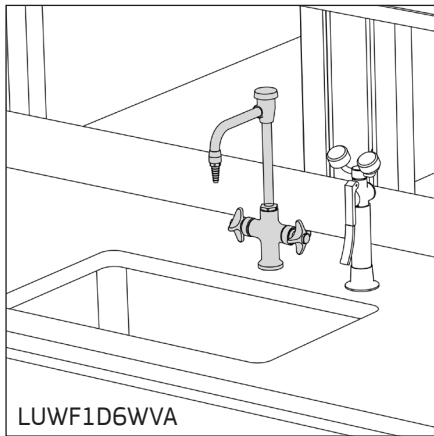
18 18" wide 21 21" wide 25 25" wide

Step 6. Sink Height

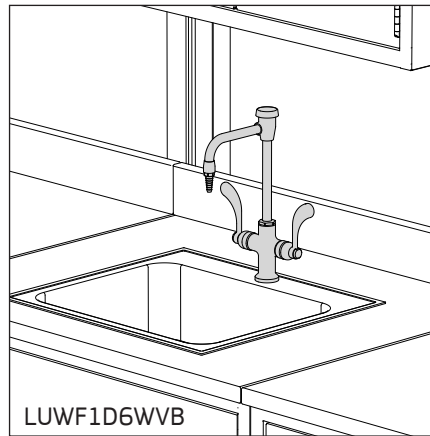
C 7½" high E 10" high F 10½" high

Product Number	Description	Height		Width		Depth		Weight	
		in.	[mm]	in.	[mm]	in.	[mm]	lb.	[kg]
LUWSEOD1418F	Epoxy, center drain, no fixture holes	10 ½	267	18	457	14	356	30	13.6
LUWSEOD1525E	Epoxy, corner drain, no fixture holes	10	254	25	635	15	381	72	32.7
LUWSS1D1921C	Stainless steel, center drain, 1 fixture hole	7 ½	191	21	457	19	356	13	5.9
LUWSS1D2225F	Stainless steel, center drain, 1 fixture hole	10 ½	267	25	559	22	406	21	9.5

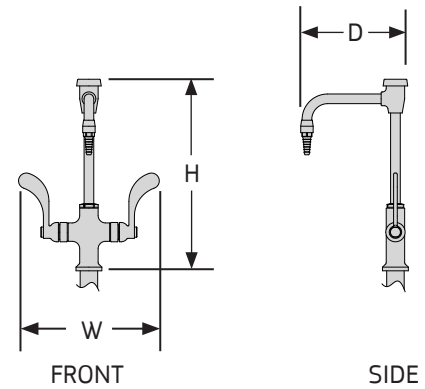
Rev 05/14/24



LUWF1D6WVA



LUWF1D6WVB



SINK FAUCETS, UNDERMOUNT AND DROP-IN

Four-Arm Handle Faucet

- Deck mounted mixing faucet with vacuum breaker for hot and cold water. 6" swing gooseneck.
- Forged brass body and four-arm handles with color-coded index discs.
- 3/8" NPS female outlet with removable anti-splash serration hose end.

Blade Handle Faucet

- Deck mounted mixing faucet with vacuum breaker and blade handle(s) for hot and cold water. 6" swing gooseneck.
- Forged brass body and blade handle(s) with color-coded index disc(s).
- 3/8" NPS female outlet with removable anti-splash serration hose end.

NOTES

- » Fixture is certified by CSA International to comply with ASME A112.18.1M and CSA B125.1.
- » Fixture is fully assembled and factory tested prior to shipment.

How to Specify

Step 1. Product Number

LUWF Sink Faucet

Step 2. Type

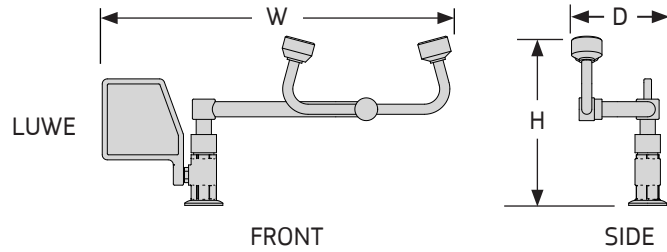
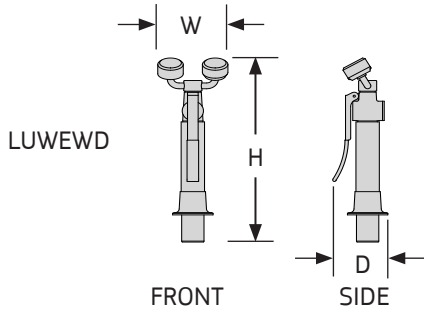
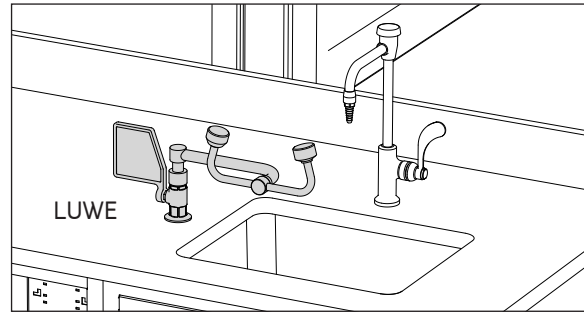
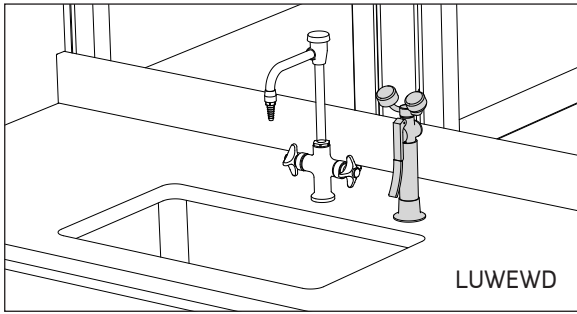
- 1D6 Mixing, double handles
- 1R6 Single, right hand handle

Step 3. Handle

- WVA 4-Arm handle
- WVB Blade handles

Product Number	Description	Height		Width		Depth		Weight	
		in.	[mm]	in.	[mm]	in.	[mm]	lb.	[kg]
LUWF1D6WVA	Mixing, 4-arm handles	13	330	6 1/2	165	7 5/8	194	5	2.3
LUWF1D6WVB	Mixing, blade handles	13	330	9 5/8	244	7 5/8	194	5	2.3
LUWF1R6WVB	Single, blade handle	13	330	5 1/3	135	7 3/8	187	4	1.8

Rev 02/26/18



EYEWASH STATIONS

Eyewash/Drench Hose Unit, Deck Mounted

- Dual purpose, eyewash/drench hose assembly can be left as a fixed eye wash or removed to use as a drench hose.
- Two outlet heads with “flip-top” dust covers are mounted on chrome plated brass supply arms.
- Locking clip engages when handle is depressed. Valve stays open until locking clip is released.
- Includes an 8' reinforced PVC hose. 275 PSI hose rating. Unit is completely assembled and water tested prior to shipment.

Swing Activated Eyewash Unit, Deck Mounted

- Eyewash unit is deck mounted on counter next to sink. Spray heads swivel 90° from storage to operational position.
- Includes twin spray heads with protective covers and a large push handle. Water flow is activated by flag handle; specify LH or RH.
- Unit is completely assembled and water tested prior to shipment.

NOTES

- » Eyewash stations can be easily mounted next to the sink for maximum accessibility.
- » Eyewashes meet the provisions of ANSI Z358.1-2014.

How to Specify

Step 1. Product Number

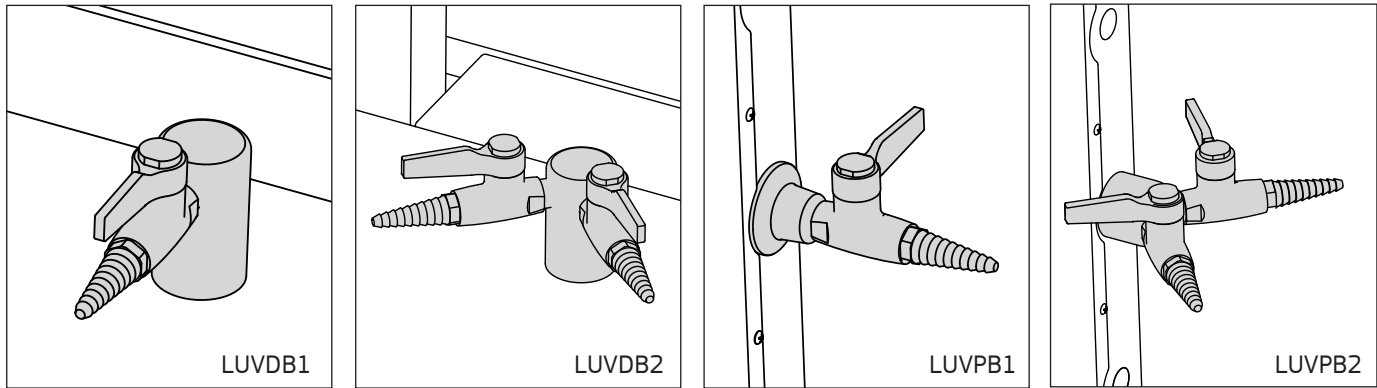
LUWEW Eyewash Station

Step 2. Mount Type

- D Drench
- L Left hand, swing style
- R Right hand, swing style

Product Number	Description	Height		Width		Depth		Weight	
		in.	[mm]	in.	[mm]	in.	[mm]	lb.	[kg]
LUWEWD	Drench unit	10 1/8	257	4 1/8	105	3 1/4	83	5	2.3
LUWEWL	Left-hand swing style	8 3/8	213	17 1/8	435	4 5/8	117	4	1.8
LUWEWR	Right-hand swing style	8 3/8	213	17 1/8	435	4 5/8	117	4	1.8

Rev 02/26/18



BALL VALVES

Ball Valves

- Single or double ball valves offer on/off control of lab gasses at pressures up to 75 psi.
- Fixtures have a forged brass valve body and lever handle with chrome-plated brass ball and molded PTFE seals.
- Valves have a 3/8" NPT male inlet with 3/8" IPS mounting shank, washer and locknut.
- 3/8" NPT female outlet includes removable ten serration hose end and color-coded index disc on the quarter turn lever handle.
- Finish is polished chrome plating.

Hoses

- Hose assemblies have a 3/8" NPT male connector on each end, include a 3/8" NPT female elbow connector and are rated for 300 psi maximum working pressure.
- PVC style hoses have a 5/8" O.D. reinforced PVC hose with nylon braid and 3/8" I.D. PVC inner core.
- Stainless steel hoses have a stainless steel overbraid with PTFE inner core.
- Hose length specified in inches (096 and 120 are standard lengths).

NOTES

- » Fixture certified by CSA International to comply with ASME A112.18.1M and CSA B125.1.
- » Fixture is fully assembled and factory tested prior to shipment.

How to Specify

Step 1. Product Number

- LUVDB Ball Valve, deck-mount
- LUVPB Ball Valve, panel-mount
- LUVHP PVC Hose
- LUVHS Stainless Steel Hose

Step 2a. Valve Type (Valves)

- 1 Single 2 Double

Step 2b. Hose Length (Hoses)

- 096 96" length 120 120" length

Step 3a. Index Disc Cap (Valves)

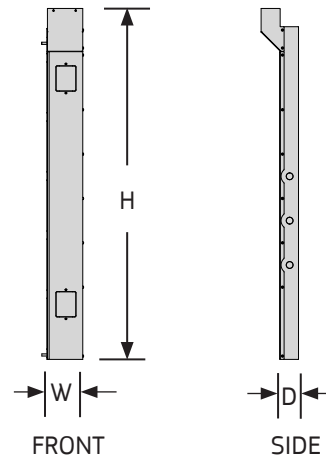
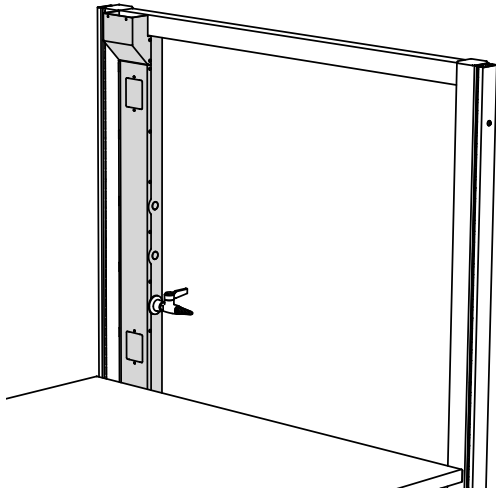
- AIR Air GAS Gas
- NIT Nitrogen VAC Vacuum

Step 3b. Hose Color (Hoses)

- BLU Blue BRN Brown
- ORG Orange YEL Yellow

Product Number	Description	Length		Width		Depth		Weight	
		in.	[mm]	in.	[mm]	in.	[mm]	lb.	[kg]
LUVDB1	Deck-mount, single valve							1	0.5
LUVDB2	Deck-mount, double valve							2	0.9
LUVPB1	Panel-mount, single valve							1	0.5
LUVPB2	Panel-mount, double valve							1	0.5
LUVHP096	PVC hose	96	2438					2	0.9
LUVHP120	PVC hose	120	3048					2	0.9
LUVHS096	Stainless steel overbraid hose	96	2438					2	0.9
LUVHS120	Stainless steel overbraid hose	120	3048					2	0.9

Rev 06/03/19



VERTICAL UTILITY CHASE, ERGOSTAT RISER FRAME

- Vertical utility chase offers utility flexibility in the lab without compromising the height adjustability.
- A total of three utility control/outlet knockouts are placed within easy reach on the vertical chase.
- Standard wall faceplate knockouts are provided at the top and bottom of the front of the Vertical Utility chase.
- Top access router included with each vertical utility chase.
- Vertical utility chase housing divider allows for separation of utilities within the chase.

NOTES

- » Housing dividers sold separately.
- » Data jack ports and faceplates not included.
- » 43" Vertical Utility Chase Housings can only be mounted on ErgoStat Riser Frames.

How to Specify

Step 1. Product Number

- VUCH Vertical Utility Chase Housing
- VUCHD Vertical Utility Chase Divider

Step 2. Height

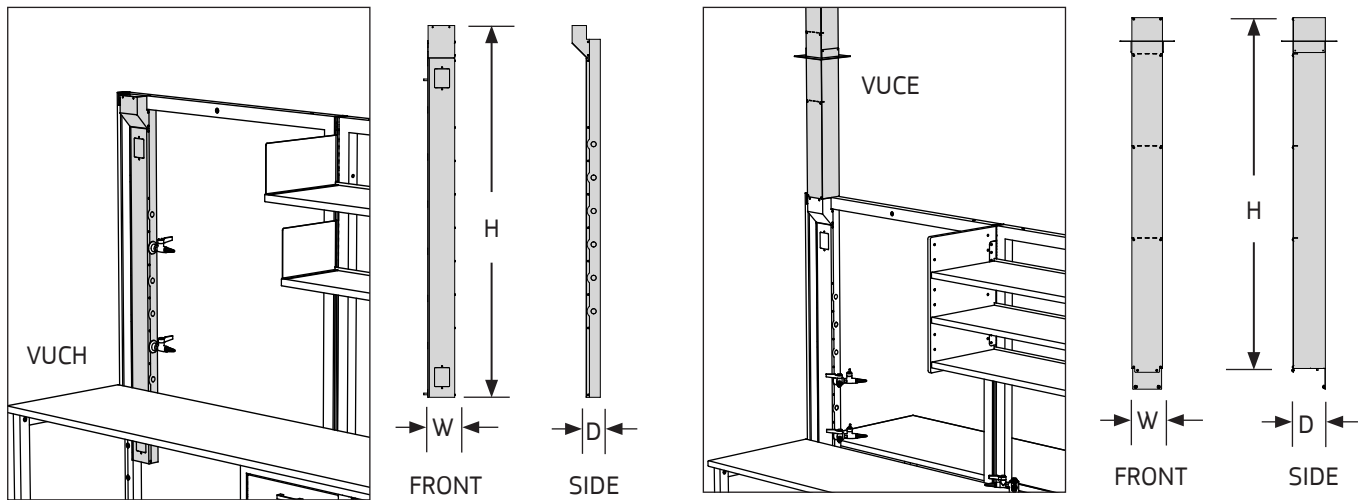
43 43" high

Step 2. Mount Location (Chase Housing only)

- L Left-Hand
- R Right-Hand

Product Number	Description	Height		Width		Depth		Weight	
		in.	[mm]	in.	[mm]	in.	[mm]	lb.	[kg]
VUCH43L	Housing, left-hand	39 ½	1003	4	102	2 ⅛	54	7	3.2
VUCH43R	Housing, right-hand	39 ½	1003	4	102	2 ⅛	54	7	3.2
VUCHD43	Housing divider	39 ½	1003	1 ⅛	29	2	51	2	0.9

Rev 05/31/18



VERTICAL UTILITY CHASE, ULTRAFRAME

- Vertical utility chase offers utility flexibility in the lab without compromising the height adjustability of work surfaces on benches.
- A total of six utility control/outlet knockouts are placed within easy reach on the vertical chase.
- Standard wall faceplate knockouts are provided at the top and bottom of the front and back sides of the Vertical Utility chase.
- Top access router included with each vertical utility chase.
- Extender conceals utilities routed from the ceiling to the top of the UltraFrame and can be trimmed on site as needed for ceilings up to 10'6" H.
- Extender and housing dividers allow for separation of utilities within the chase and can be trimmed in the field as needed.

NOTES

- » Housing dividers and extenders sold separately.
- » Data jack ports and faceplates not included.
- » Color matched ceiling trim plate included with extender.
- » 80" Vertical Utility Chase Housings and Extenders only mount on 80" high UltraFrames.

How to Specify

Step 1. Product Number

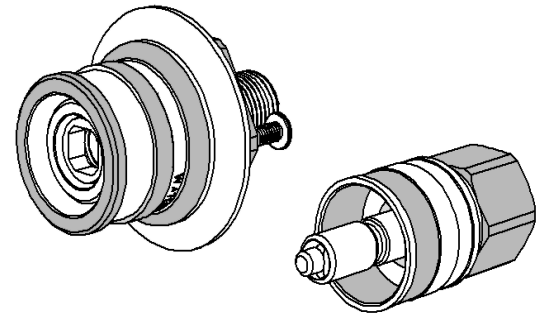
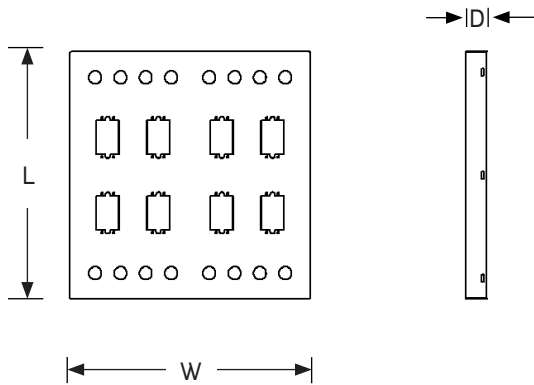
- VUCH80 Utility Chase Housing
- VUCHD80 Housing Divider
- VUCE46 Extender
- VUCED46 Extender Divider

Step 2. Handed (Housing only)

- L Left-Hand R Right-Hand

Product Number	Description	Height		Width		Depth		Weight	
		in.	[mm]	in.	[mm]	in.	[mm]	lb.	[kg]
VUCH80L	Housing, left-hand	55 5/8	1413	4	102	2 1/8	54	10	4.5
VUCH80R	Housing, right-hand	55 5/8	1413	4	102	2 1/8	54	10	4.5
VUCHD80	Housing divider	55 5/8	1413	1 1/8	29	2	51	3	1.4
VUCE46	Extender	45 3/4	1162	4	102	4 1/4	108	11	5.0
VUCED46	Extender divider	45 3/4	1162	1 1/8	29	4	102	3	1.4

Rev 05/30/18



BODY

PLUG

CEILING SERVICE PANEL, QUICK CONNECTS

Ceiling Service Panel

- Ceiling Service Panels are designed to fit in standard 2' x 2' ceiling grid openings.
- Made with 16 guage sheet metal, ceiling service panels have (16) quick connect knockouts and (8) single electrical and/or data knockouts.

Quick Connect Fittings

- Quick Connect bodies and plugs are finished with polished chrome plated brass.
- Internal quick connect valve components are stainless steel to assure compatibility with the service and to assure durable performance.
- Quick Connect Plugs have an internal shut-off valve that closes when the valve is disengaged.

Cover Plates

- Cover Plates are stainless steel.

How to Specify

Step 1. Product Number

CSVP2424	QCD-P-3/8F-ORG
CPSHSS	QCD-B-3/8M-ORG
CPSBSS	QCS-P-3/8F-YLW
CPS3DSS	QCD-B-3/8M-YLW

Step 2. Paint Color Code (CSVP2424 only)

AW	Arctic White
BK	Black
GL	Grey Light
NW	Neutral White

Product Number	Description	Length		Width		Depth		Weight	
		in.	[mm]	in.	[mm]	in.	[mm]	lb.	[kg]
CSVP2424	Ceiling Service Panel	23.75	10.77	23.75	10.77	2	0.90	13	5.89
QCD-P-3/8F-ORG	Quick connect plug, 3/8 female							1/2	0.22
QCD-B-3/8M-ORG	Quick connect body, 3/8 male							1/2	0.22
QCS-P-3/8F-YLW	Quick connect plug, 3/8 female							1/2	0.22
QCD-B-3/8M-YLW	Quick connect body, 3/8 male							1/2	0.22
CPSHSS	Cover plate, single gang, 1.6" dia. hole							1/4	0.11
CPS3DSS	Cover plate, single gang, 3 data port openings							1/4	0.11
CPSBSS	Cover plate, single gang, blank							1/4	0.11

Rev 10/29/21